

STERLING
ELECTRIC, INC.

HELICAL GEAR PRODUCTS

STERLING

ELECTRIC, INC.

Sterling Electric offers a full range of Helical Gear Products to meet the demanding applications found in today's industry. Our standard cast iron product design lends itself to the harsh environments found in the pulp/paper and chemical industry providing excellent corrosion resistance and long life.

This catalog features a wide variety of Helical In-Line, Helical Ratio Multipliers and Helical Bevel Reducers or Gearmotors to choose from. These products range from our standard totally enclosed fan cooled motor design to our Sterli-Seal[®] Washdown Duty, providing superior protection in high pressure sanitation applications.



Standard Product Features:

- Cast Iron Single Piece Housing
- Dimensionally Interchangeable with many European brands
- Filled at factory with proper lubrication for customer convenience
- Coupling Style on all C-Face Helical In-line and Helical Bevel Reducers for ease of motor assembly
- All Gearmotors are C-Face Motor construction



Sterli-Seal[®] Washdown Duty Product Features

- Cast Iron Single Piece Housing with USDA Approved Coating
- Filled at factory with Mobil Cibus 320 H1 Food Grade Lubrication for all Helical In-line and Helical Bevel Style reducers
- All Single Stage Ratio Multipliers are provided with Mobil Cibus 150 H1 Food Grade Lubrication
- Helical In-line Frames R04-R07 and All Ratio Multiplier or Helical Bevel units are provided with a Stainless Steel Output Shaft.

Sterli-Seal[®] STAINLESS STEEL Washdown Duty Product Features

- Investment Cast Single Piece Housing with Electropolished Finish
- Dimensionally Interchangeable with many European brands
- Filled at factory with Mobil Cibus 320 H1 Food Grade Lubrication for all Helical In-line and Helical Bevel Style reducers
- All Single Stage Ratio Multipliers are provided with Mobil Cibus 150 H1 Food Grade Lubrication
- All Gearmotors are C-Face Motor construction





2000HG HELICAL REDUCERS / GEARMOTORS



CONTENTS

R-Series Class I Helical Gearmotors and Reducers – Selection & Pricing

• Part Number Nomenclature	A3
• Standard Efficient 1/3HP – 50 HP	A4 - A7
• Standard Efficient Sterli-Seal ® Washdown Duty 1/3HP – 50HP	A8 - A11
• SSR2000 Series Sterli-Seal ® STAINLESS STEEL Washdown Duty 1/2HP – 20HP	A12 - A14
• SSR2000 Series Sterli-Seal ® STAINLESS STEEL Inverter Duty (10:1 Constant Torque) Washdown Duty 1/2HP – 20HP	A15 - A17
• Explosion Proof Class I Group “D” Class II Group “F&G” 1/3HP – 50HP	A18 - A21
• Premium Efficient Inverter Rated 1HP – 50HP	A22 - A25
• Premium Efficient Sterli-Seal ® Washdown Duty 1 HP –50HP	A26 - A29
• Inverter Duty (10:1 Constant Torque) 1 HP – 50HP	A30 - A33
• Inverter Duty (10:1 Constant Torque) Sterli-Seal ® Washdown Duty 1/2HP – 50HP	A34 - A37
• Inline Reducer Rating Tables	A38 - A46
• Inline Reducer List Prices	A47
• Dimensional Drawings	A48 - A55

R-Series Helical Ratio Multiplier Reducers – Selection & Pricing

• Rating Tables and List Prices	B1
• Dimensional Drawings	B2 – B3
• Lubrication and Weights	B3

K-Series Class I Helical Bevel Gearmotors and Reducers – Selection & Pricing

• Part Number Nomenclature	C1 – C2
• Customer Required Shaft Dimensions (Hollow Output Only)	C2 – C3
• Standard Efficient 1/3HP – 20 HP	C4 – C7
• Standard Efficient Sterli-Seal ® Washdown Duty 1/3HP – 20HP	C8 - C11
• SSR2000 Series Sterli-Seal ® STAINLESS STEEL Washdown Duty 1/2HP – 10HP	C12 - C14
• Inverter Duty (10:1 Constant Torque) 1 HP – 20HP	C15 - C17
• Inverter Duty (10:1 Constant Torque) Sterli-Seal ® Washdown Duty 1HP – 20HP	C18 – C20
• SSR2000 Series Sterli-Seal ® STAINLESS STEEL Inverter Duty (10:1 Constant Torque) Washdown Duty 1/2HP – 10HP	C21 – C23
• Premium Efficient Inverter Rated 1HP – 20HP	C24 – C26
• Premium Efficient Sterli-Seal ® Washdown Duty 1 HP –20HP	C27 – C29
• SSR2000 Series Sterli-Seal ® STAINLESS STEEL Premium Efficient 1HP-10HP	C30 – C31
• Reducer Rating Tables	C32
• List Prices	C33
• Tapered Bushing Selection and Pricing	C34
• Dimensional Drawings	C35 – C38

Engineering

• Application Formulas	D1 – D2
• Overhung Load and Axial Thrust Values	D3 – D4
• R2000HG Helical In-line Installation and Operation Instructions	D5
• R2000HB Helical Bevel Installation and Operation Instructions	D6 – D7
• Motor Installation Instructions	D8
• Lubrication Instructions	D9 – D10
• Vent Plug Installation and General Maintenance Instructions	D10 – D11
• Storage and Warranty	D12
• R2000HG Helical In-line Parts Exploded View	D13 – D14
• R2000HB Helical Bevel Parts Exploded View	D15 – D16

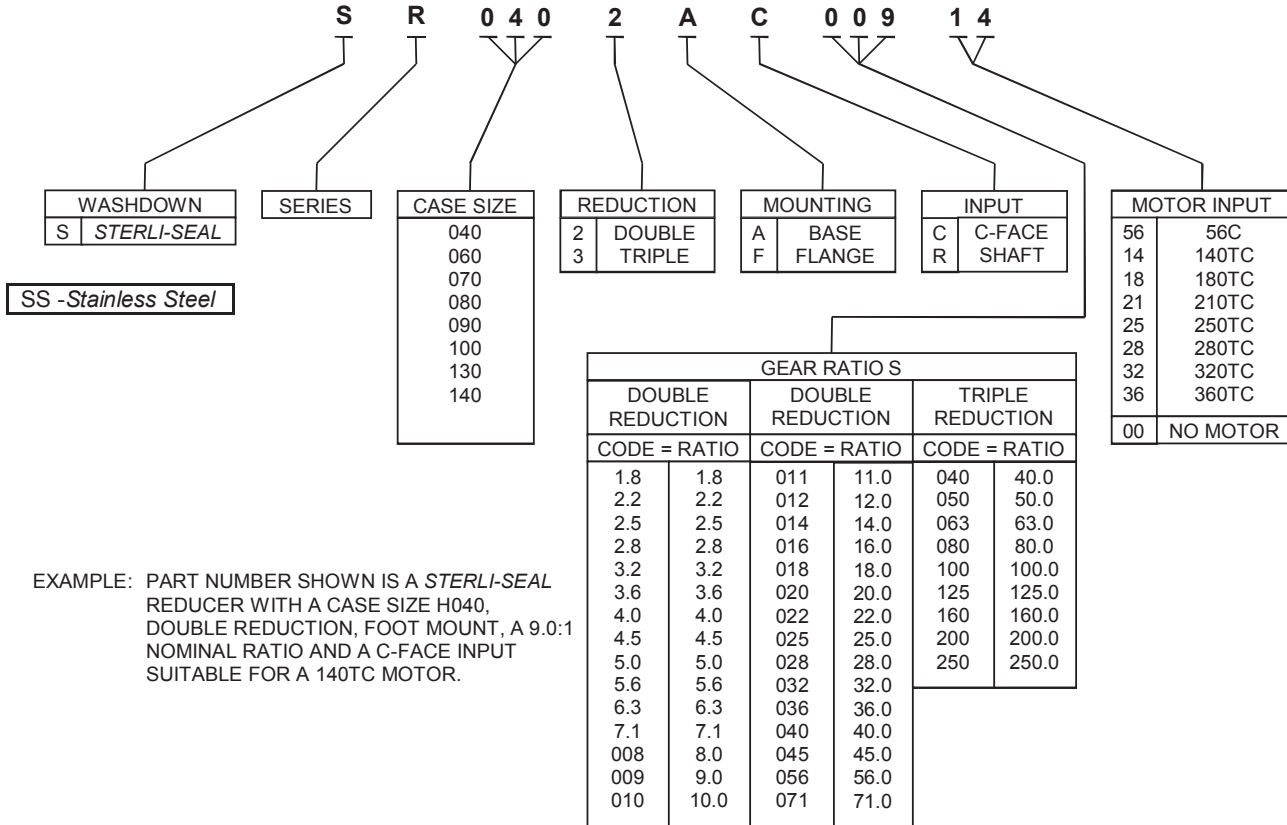
A2**2000HG HELICAL REDUCERS / GEARMOTORS****STERLING
ELECTRIC, INC.**

The products found in this section provide a complete range of Helical Gearmotors and Reducers that meet the following specifications:

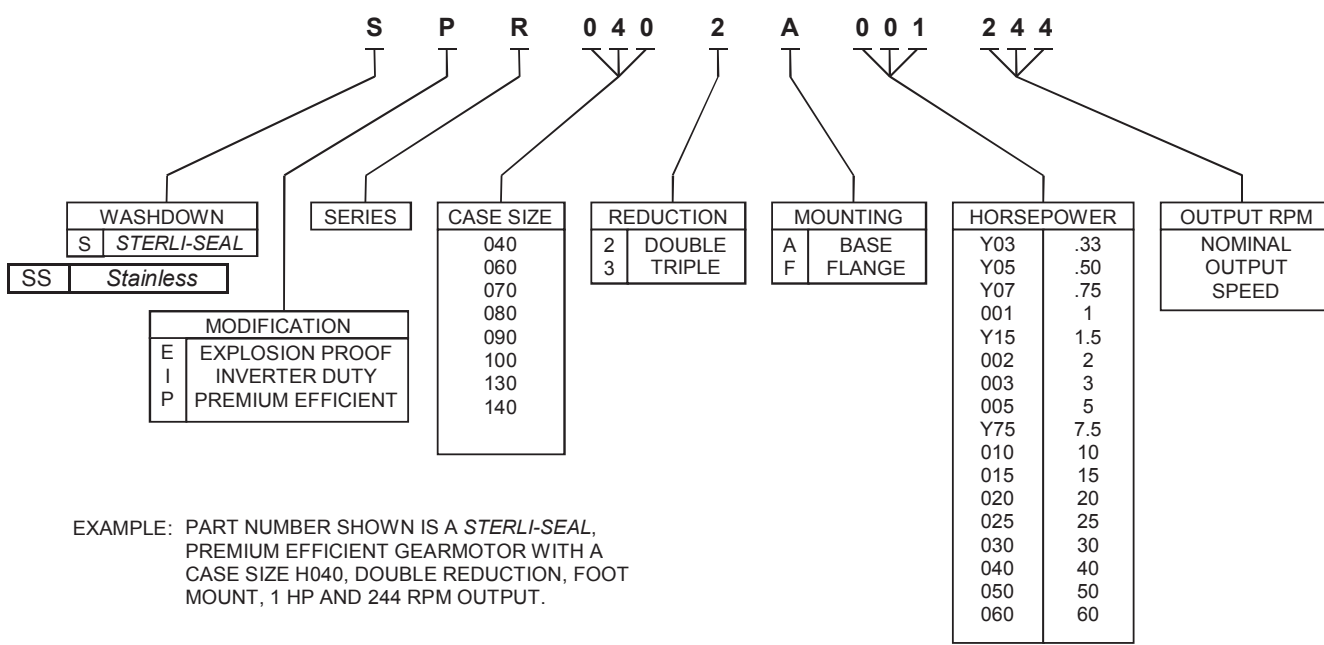
- All Helical Reducers and Gearmotors are provided with AGMA Class 10 or greater gearing.
- Base Mounting a Shaft Sizes provide Interchange with many Competitive Products. Contact our Inside Sales Department for assistance with your application requirement.
- All Standard TEFC Gearmotors and Sterli-Seal ® Washdown Duty products are provided with MW-35 Spike Resistant Wire and meet NEMA MG1-4.4.2 Inverter Rating Specifications.
- All Explosion Proof Gearmotors are Not Suitable for Inverter Applications. For Applications that require the use of a Variable Frequency Drive in an Explosion Proof Environment, Refer this Request to the Factory. All Standard Gearmotors are suitable for a Class I Group D and Class II Group F&G application.
- Standard Painted Gearmotor Construction is provided with a Smooth Body Rolled Steel Constructed Motor with Cast Iron End Brackets on Fractional through 10HP. Gearmotors 15HP and larger are All Cast Iron Ribbed Frame Construction.
- All Standard Gearmotors are provided with Class F Insulation and a 1.15 Service Factor.
- All Inverter Duty Gearmotors are provided with Class H Insulation and a 1.0 Service Factor. These Gearmotors are suitable for a (10:1 Constant Torque) operation. Motors are provided with a Normally Closed (Klixon) Thermal Protector.
- All Sterli-Seal ® Washdown Gearmotors or Reducers and provided, as standard, with Two Part USDA Approved White Paint. Optional Two Part Silver Freeze (Stainless Pigment) Paint is available upon request with an additional cost.
- SolidWorks 3D CAD or PDF Drawings are available on our website: www.sterlingelectric.com.

STERLING ELECTRIC, INC.	2000HG HELICAL REDUCERS / GEARMOTORS	A3
------------------------------------	---	-----------

REDUCER PART NUMBER DESIGNATION



GEARMOTOR PART NUMBER DESIGNATION



A4

2000HG SELECTION AND PRICING

STERLING
ELECTRIC, INC.

Standard Duty- CLASS I AGMA Rated

.33 Horsepower				
F/L RPM	Double Reduction		Output Torque	List Price
	Frame	Model No.		
900	56C-R0402	R0402AY03900	22	\$ 1,060
817		R0402AY03817	24	\$ 1,060
705	56C-R0402	R0402AY03705	28	\$ 1,060
607		R0402AY03607	33	\$ 1,060
547	56C-R0402	R0402AY03547	37	\$ 1,060
493		R0402AY03493	41	\$ 1,060
442	56C-R0402	R0402AY03442	45	\$ 1,060
394		R0402AY03394	51	\$ 1,060
349	56C-R0402	R0402AY03349	57	\$ 1,060
320		R0402AY03320	62	\$ 1,060
307	56C-R0402	R0402AY03307	65	\$ 1,060
276		R0402AY03276	72	\$ 1,060
238	56C-R0402	R0402AY03238	84	\$ 1,060
215		R0402AY03215	93	\$ 1,060
193	56C-R0402	R0402AY03193	103	\$ 1,060
173		R0402AY03173	115	\$ 1,060
154	56C-R0402	R0402AY03154	130	\$ 1,060
137		R0402AY03137	146	\$ 1,060
118	56C-R0402	R0402AY03118	169	\$ 1,060
103		R0402AY03103	194	\$ 1,060
98	56C-R0402	R0402AY03098	204	\$ 1,060
92		R0402AY03092	217	\$ 1,060
77	56C-R0402	R0402AY03077	259	\$ 1,060
64		R0402AY03064	312	\$ 1,060
52	56C-R0402	R0402AY03052	384	\$ 1,060
46		R0402AY03046	434	\$ 1,060
40	56C-R0402	R0402AY03040	499	\$ 1,060
36		R0402AY03036	555	\$ 1,060
32	56C-R0402	R0402AY03032	624	\$ 1,060

.50 Horsepower				
F/L RPM	Double Reduction		Output Torque	List Price
	Frame	Model No.		
900	56C-R0402	R0402AY05900	34	\$ 1,080
817		R0402AY05817	37	\$ 1,080
705	56C-R0402	R0402AY05705	43	\$ 1,080
607		R0402AY05607	50	\$ 1,080
547	56C-R0402	R0402AY05547	55	\$ 1,080
493		R0402AY05493	61	\$ 1,080
442	56C-R0402	R0402AY05442	68	\$ 1,080
394		R0402AY05394	77	\$ 1,080
349	56C-R0402	R0402AY05349	87	\$ 1,080
320		R0402AY05320	95	\$ 1,080
307	56C-R0402	R0402AY05307	99	\$ 1,080
276		R0402AY05276	110	\$ 1,080
238	56C-R0402	R0402AY05238	127	\$ 1,080
215		R0402AY05215	141	\$ 1,080
193	56C-R0402	R0402AY05193	157	\$ 1,080
173		R0402AY05173	175	\$ 1,080
154	56C-R0402	R0402AY05154	197	\$ 1,080
137		R0402AY05137	221	\$ 1,080
118	56C-R0402	R0402AY05118	256	\$ 1,080
103		R0402AY05103	294	\$ 1,080
98	56C-R0402	R0402AY05098	309	\$ 1,080
92		R0402AY05092	329	\$ 1,080
77	56C-R0402	R0402AY05077	393	\$ 1,080
64		R0402AY05064	473	\$ 1,080
52	56C-R0402	R0402AY05052	582	\$ 1,080
46		R0402AY05046	658	\$ 1,080
40	56C-R0402	R0402AY05040	757	\$ 1,080
36		R0402AY05036	841	\$ 1,080
32	56C-R0402	R0402AY05032	946	\$ 1,080

.75 Horsepower				
F/L RPM	Double Reduction		Output Torque	List Price
	Frame	Model No.		
900	56C-R0402	R0402AY07900	50	\$ 1,100
817		R0402AY07817	56	\$ 1,100
705	56C-R0402	R0402AY07705	64	\$ 1,100
607		R0402AY07607	75	\$ 1,100
547	56C-R0402	R0402AY07547	83	\$ 1,100
493		R0402AY07493	92	\$ 1,100
442	56C-R0402	R0402AY07442	103	\$ 1,100
394		R0402AY07394	115	\$ 1,100
349	56C-R0402	R0402AY07349	130	\$ 1,100
320		R0402AY07320	142	\$ 1,100
307	56C-R0402	R0402AY07307	148	\$ 1,100
276		R0402AY07276	164	\$ 1,100
238	56C-R0402	R0402AY07238	191	\$ 1,100
215		R0402AY07215	211	\$ 1,100
193	56C-R0402	R0402AY07193	235	\$ 1,100
173		R0402AY07173	262	\$ 1,100
154	56C-R0402	R0402AY07154	295	\$ 1,100
137		R0402AY07137	331	\$ 1,100
118	56C-R0402	R0402AY07118	385	\$ 1,100
103		R0402AY07103	441	\$ 1,100
98	56C-R0402	R0402AY07098	463	\$ 1,100
92		R0402AY07092	493	\$ 1,100
77	56C-R0402	R0402AY07077	590	\$ 1,100
64		R0402AY07064	709	\$ 1,100
52	56C-R0402	R0402AY07052	873	\$ 1,100
46		R0402AY07046	987	\$ 1,100
40	56C-R0402	R0402AY07040	1135	\$ 1,100
36		R0402AY07036	1261	\$ 1,100
32	56C-R0402	R0402AY07032	1419	\$ 1,100

1 Horsepower				
F/L RPM	Double Reduction		Output Torque	List Price
	Frame	Model No.		
900	56C-R0402	R0402A001900	67	\$ 1,120
817		R0402A001817	74	\$ 1,120
705	56C-R0402	R0402A001705	86	\$ 1,120
607		R0402A001607	100	\$ 1,120
547	56C-R0402	R0402A001547	111	\$ 1,120
493		R0402A001493	123	\$ 1,120
442	56C-R0402	R0402A001442	137	\$ 1,120
394		R0402A001394	154	\$ 1,120
349	56C-R0402	R0402A001349	173	\$ 1,120
320		R0402A001320	189	\$ 1,120
307	56C-R0402	R0402A001307	197	\$ 1,120
276		R0402A001276	219	\$ 1,120
238	56C-R0402	R0402A001238	254	\$ 1,120
215		R0402A001215	282	\$ 1,120
193	56C-R0402	R0402A001193	314	\$ 1,120
173		R0402A001173	350	\$ 1,120
154	56C-R0402	R0402A001154	393	\$ 1,120
137		R0402A001137	442	\$ 1,120
118	56C-R0402	R0402A001118	513	\$ 1,120
103		R0402A001103	588	\$ 1,120
98	56C-R0402	R0402A001098	618	\$ 1,120
92		R0402A001092	658	\$ 1,120
77	56C-R0402	R0402A001077	786	\$ 1,120
64		R0402A001064	946	\$ 1,120
52	56C-R0402	R0402A001052	1164	\$ 1,120
46		R0402A001046	1316	\$ 1,120
40	56C-R0402	R0402A001040	1513	\$ 1,120
36		R0402A001036	1681	\$ 1,120
32	56C-R0402	R0402A001032	1892	\$ 1,120

Note: All gearmotors listed are 3 Phase, 60Hz, 208-230/460 Volt, Totally Enclosed Enclosure Output Torque Values are in Inch Pounds

**STERLING
ELECTRIC, INC.****2000HG SELECTION AND PRICING****A5****Standard Duty- CLASS I AGMA Rated**

1.5 Horsepower				
F/L RPM	Double Reduction		Output Torque	List Price
	Frame	Model No.		
900	56C-R0402	R0402AY15900	101	\$ 1,140
817		R0402AY15817	111	\$ 1,140
705	56C-R0402	R0402AY15705	129	\$ 1,140
607		R0402AY15607	150	\$ 1,140
547	56C-R0402	R0402AY15557	166	\$ 1,140
493		R0402AY15493	184	\$ 1,140
442	56C-R0402	R0402AY15442	205	\$ 1,140
394		R0402AY15394	230	\$ 1,140
349	56C-R0402	R0402AY15349	260	\$ 1,140
320		R0402AY15320	284	\$ 1,140
307	56C-R0402	R0402AY15307	296	\$ 1,140
276		R0402AY15276	329	\$ 1,140
238	56C-R0402	R0402AY15238	381	\$ 1,140
215		R0402AY15215	422	\$ 1,140
193	56C-R0402	R0402AY15193	470	\$ 1,140
173		R0402AY15173	525	\$ 1,140
154	56C-R0402	R0402AY15154	590	\$ 1,140
137		R0402AY15137	663	\$ 1,140
118	56C-R0402	R0402AY15118	769	\$ 1,140
103		R0402AY15103	881	\$ 1,140
98	56C-R0402	R0402AY15098	926	\$ 1,140
92		R0402AY15092	987	\$ 1,140
77	56C-R0402	R0402AY15077	1179	\$ 1,140
64		R0402AY15064	1419	\$ 1,140
52	56C-R0402	R0402AY15052	1746	\$ 1,140
46		R0402AY15046	1974	\$ 1,140
40	56C-R0402	R0402AY15040	2270	\$ 1,140
37		R0602AY15037	2454	\$ 1,480
33	56C-R0602	R0602AY15033	2751	\$ 1,480

2 Horsepower				
F/L RPM	Double Reduction		Output Torque	List Price
	Frame	Model No.		
900	56C-R0402	R0402A002900	135	\$ 1,210
817		R0402A002817	148	\$ 1,210
705	56C-R0402	R0402A002705	172	\$ 1,210
607		R0402A002607	199	\$ 1,210
547	56C-R0402	R0402A002547	221	\$ 1,210
493		R0402A002493	246	\$ 1,210
442	56C-R0402	R0402A002442	274	\$ 1,210
394		R0402A002394	307	\$ 1,210
349	56C-R0402	R0402A002349	347	\$ 1,210
320		R0402A002320	378	\$ 1,210
307	56C-R0402	R0402A002307	394	\$ 1,210
276		R0402A002276	439	\$ 1,210
238	56C-R0402	R0402A002238	509	\$ 1,210
215		R0402A002215	563	\$ 1,210
193	56C-R0402	R0402A002193	627	\$ 1,210
173		R0402A002173	700	\$ 1,210
154	56C-R0402	R0402A002154	786	\$ 1,210
137		R0402A002137	884	\$ 1,210
118	56C-R0402	R0402A002118	1025	\$ 1,210
103		R0402A002103	1175	\$ 1,210
97	56C-R0402	R0402A002097	1248	\$ 1,210
90	56C-R0602	R0602A002090	1345	\$ 1,574
77	56C-R0402	R0402A002077	1572	\$ 1,210
64		R0402A002064	1891	\$ 1,210
52	56C-R0402	R0402A002052	2328	\$ 1,210
50	56C-R0602	R0602A002050	2421	\$ 1,574
41		R0602A002041	2953	\$ 1,574
37	56C-R0602	R0602A002037	3271	\$ 1,574
33		R0602A002033	3668	\$ 1,574

3 Horsepower				
F/L RPM	Double Reduction		Output Torque	List Price
	Frame	Model No.		
900	182TC-R0402	R0402A003900	202	\$ 1,484
817		R0402A003817	222	\$ 1,484
705	182TC-R0402	R0402A003705	258	\$ 1,484
607		R0402A003607	299	\$ 1,484
547	182TC-R0402	R0402A003547	332	\$ 1,484
493		R0402A003493	368	\$ 1,484
442	182TC-R0402	R0402A003442	411	\$ 1,484
394		R0402A003394	461	\$ 1,484
349	182TC-R0402	R0402A003349	520	\$ 1,484
320		R0402A003320	567	\$ 1,484
307	182TC-R0402	R0402A003307	591	\$ 1,484
276		R0402A003276	658	\$ 1,484
238	182TC-R0402	R0402A003238	763	\$ 1,484
215		R0402A003215	845	\$ 1,484
193	182TC-R0402	R0402A003193	941	\$ 1,484
173		R0402A003173	1050	\$ 1,484
154	182TC-R0402	R0402A003154	1179	\$ 1,484
137		R0402A003137	1325	\$ 1,484
123	182TC-R0602	R0602A003123	1476	\$ 1,858
100		R0602A003100	1816	\$ 1,858
98	182TC-R0602	R0602A003098	1853	\$ 1,858
90		R0602A003090	2018	\$ 1,858
81	182TC-R0602	R0602A003081	2242	\$ 1,858
65		R0602A003065	2794	\$ 1,858
55	182TC-R0602	R0602A003055	3302	\$ 1,858
50		R0602A003050	3632	\$ 1,858
41	182TC-R0602	R0602A003041	4429	\$ 1,858
35	182TC-R0702	R0702A003035	5188	\$ 2,512
31		R0702A003031	5858	\$ 2,512

5 Horsepower				
F/L RPM	Double Reduction		Output Torque	List Price
	Frame	Model No.		
900	184TC-R0402	R0402A005900	336	\$ 1,632
817		R0402A005817	370	\$ 1,632
705	184TC-R0402	R0402A005705	429	\$ 1,632
607		R0402A005607	499	\$ 1,632
547	184TC-R0402	R0402A005547	553	\$ 1,632
493		R0402A005493	614	\$ 1,632
442	184TC-R0402	R0402A005442	685	\$ 1,632
394		R0402A005394	768	\$ 1,632
349	184TC-R0402	R0402A005349	867	\$ 1,632
320		R0402A005320	946	\$ 1,632
307	184TC-R0402	R0402A005307	986	\$ 1,632
276		R0402A005276	1097	\$ 1,632
238	184TC-R0402	R0402A005238	1272	\$ 1,632
215		R0402A005215	1408	\$ 1,632
193	184TC-R0402	R0402A005193	1568	\$ 1,632
173		R0402A005173	1749	\$ 1,632
156	184TC-R0602	R0602A005156	1940	\$ 1,896
142		R0602A005142	2131	\$ 1,896
123	184TC-R0602	R0602A005123	2460	\$ 1,896
106	184TC-R0702	R0702A005106	2855	\$ 2,548
100		R0702A005100	3026	\$ 2,548
89	184TC-R0702	R0702A005089	3400	\$ 2,548
78		R0702A005078	3880	\$ 2,548
63	184TC-R0702	R0702A005063	4804	\$ 2,548
53		R0702A005053	5710	\$ 2,548
49	184TC-R0702	R0702A005049	6176	\$ 2,548
39	184TC-G0802	G0802A005039	7760	\$ 3,358
36		G0802A005036	8407	\$ 3,358
31	184TC-G0802	G0802A005031	9763	\$ 3,358

Note: All gearmotors listed are 3 Phase, 60Hz, 208-230/460 Volt, Totally Enclosed Enclosure Output Torque Values are in Inch Pounds

A6

2000HG SELECTION AND PRICING

STERLING
ELECTRIC, INC.

Standard Duty- CLASS I AGMA Rated

7.5 Horsepower				
F/L RPM	Double Reduction		Output Torque	List Price
	Frame	Model No.		
860	213TC-R0602	R0602AY75860	528	\$ 2,060
768		R0602AY75768	591	\$ 2,060
684		R0602AY75684	664	\$ 2,060
608	213TC-R0602	R0602AY75608	747	\$ 2,060
539		R0602AY75539	799	\$ 2,060
475		R0602AY75475	956	\$ 2,060
436	213TC-R0602	R0602AY75436	1041	\$ 2,060
381		R0602AY75381	1191	\$ 2,060
346		R0602AY75346	1312	\$ 2,060
315	213TC-R0602	R0602AY75315	1441	\$ 2,060
298		R0602AY75298	1523	\$ 2,060
280		R0602AY75280	1621	\$ 2,060
249	213TC-R0602	R0602AY75249	1823	\$ 2,060
221		R0602AY75221	2054	\$ 2,060
195		R0602AY75195	2328	\$ 2,060
179	213TC-R0602	R0602AY75179	2536	\$ 2,060
156		R0602AY75156	2910	\$ 2,060
142		R0602AY75142	3197	\$ 2,060
125	213TC-R0702	R0702AY75125	3632	\$ 3,420
106		R0702AY75106	4283	\$ 3,420
100		R0702AY75100	4540	\$ 3,420
89	213TC-R0702	R0702AY75089	5101	\$ 3,420
78		R0702AY75078	5820	\$ 3,420
62		213TC-G0802	G0802AY75062	7322
53	G0802AY75053		8565	\$ 3,626
48	G0802AY75048		9458	\$ 3,626
39	213TC-G0802	G0802AY75039	11640	\$ 3,626
36		G0802AY75036	12610	\$ 3,626
29		213TC-H0902	H0902AY75029	15654

10 Horsepower				
F/L RPM	Double Reduction		Output Torque	List Price
	Frame	Model No.		
860	215TC-R0602	R0602A010860	704	\$ 2,250
768		R0602A010768	788	\$ 2,250
684		R0602A010684	885	\$ 2,250
608	215TC-R0602	R0602A010608	996	\$ 2,250
539		R0602A010539	1066	\$ 2,250
475		R0602A010475	1274	\$ 2,250
436	215TC-R0602	R0602A010436	1388	\$ 2,250
381		R0602A010381	1589	\$ 2,250
346		R0602A010346	1749	\$ 2,250
315	215TC-R0602	R0602A010315	1922	\$ 2,250
298		R0602A010298	2031	\$ 2,250
280		R0602A010280	2162	\$ 2,250
249	215TC-R0602	R0602A010249	2431	\$ 2,250
221		R0602A010221	2739	\$ 2,250
195		R0602A010195	3104	\$ 2,250
178	215TC-R0702	R0602A010178	3400	\$ 2,250
157		R0702A010157	3855	\$ 3,672
137		R0702A010137	4418	\$ 3,672
125	215TC-R0702	R0702A010125	5044	\$ 3,672
106		R0702A010106	5948	\$ 3,672
100		R0702A010100	6053	\$ 3,672
84	215TC-G0802	G0802A010084	7206	\$ 3,808
75		G0802A010075	8070	\$ 3,808
62		G0802A010062	9763	\$ 3,808
53	215TC-G0802	G0802A010053	11420	\$ 3,808
48		G0802A010048	12610	\$ 3,808
39		215TC-H0902	H0902A010039	15520
36	H0902A010036		16813	\$ 5,512
32	H0902A010032		18915	\$ 5,512

15 Horsepower				
F/L RPM	Double Reduction		Output Torque	List Price
	Frame	Model No.		
902	254TC-R0702	R0702A015902	1007	\$ 3,932
719		R0702A015719	1263	\$ 3,932
640		R0702A015640	1419	\$ 3,932
568	254TC-R0702	R0702A015568	1598	\$ 3,932
502		R0702A015502	1809	\$ 3,932
461		R0702A015461	1969	\$ 3,932
404	254TC-R0702	R0702A015404	2247	\$ 3,932
351		R0702A015351	2587	\$ 3,932
318		R0702A015318	2855	\$ 3,932
280	254TC-R0702	R0702A015280	3243	\$ 3,932
249		R0702A015249	3646	\$ 3,932
221		R0702A015221	4108	\$ 3,932
195	254TC-R0702	R0702A015195	4656	\$ 3,932
180		R0702A015180	5044	\$ 3,932
153		254TC-G0802	G0802A015153	5934
135	G0802A015135		6725	\$ 4,140
116	G0802A015116		7827	\$ 4,140
105	254TC-G0802	G0802A015105	8647	\$ 4,140
96		G0802A015096	9458	\$ 4,140
85		G0802A015085	10681	\$ 4,140
75	254TC-G0802	G0802A015075	12106	\$ 4,140
61		H0902A015061	14884	\$ 6,870
54		H0902A015054	16813	\$ 6,870
49	254TC-H0902	H0902A015049	18529	\$ 6,870
41	254TC-H1002	H1002A015041	22144	\$10,144
37		H1002A015037	24538	\$10,144
34		H1002A015034	26704	\$10,144

20 Horsepower					
F/L RPM	Double Reduction		Output Torque	List Price	
	Frame	Model No.			
902	256TC-R0702	R0702A020902	1342	\$ 4,384	
719		R0702A020719	1684	\$ 4,384	
640		R0702A020640	1892	\$ 4,384	
568	256TC-R0702	R0702A020568	2131	\$ 4,384	
502		R0702A020502	2411	\$ 4,384	
461		R0702A020461	2626	\$ 4,384	
404	256TC-R0702	R0702A020404	2996	\$ 4,384	
351		R0702A020351	3449	\$ 4,384	
314		R0702A020314	3855	\$ 4,384	
280	256TC-R0702	R0702A020280	4323	\$ 4,384	
210		256TC-G0802	G0802A020210	5765	\$ 4,594
187			G0802A020187	6474	\$ 4,594
153	G0802A020153		7912	\$ 4,594	
135	256TC-G0802	G0802A020135	8967	\$ 4,594	
116		G0802A020116	10436	\$ 4,594	
105		G0802A020105	11529	\$ 4,594	
94	256TC-H0902	H0902A020094	12878	\$ 7,324	
84		H0902A020084	14411	\$ 7,324	
76		H0902A020076	15928	\$ 7,324	
67	256TC-H0902	H0902A020067	18068	\$ 7,324	
60		H0902A020060	20176	\$ 7,324	
56		256TC-H1002	H1002A020056	21617	\$10,600
49	H1002A020049		24705	\$10,600	
47	256TC-H1002		H1002A020047	25757	\$10,600
40		H1002A020040	30264	\$10,600	
36		H1002A020036	33627	\$10,600	
33	256TC-H1302	H1302A020033	36684	\$15,028	

Note: All gearmotors listed are 3 Phase, 60Hz, 208-230/460 Volt, Totally Enclosed Enclosure Output Torque Values are in Inch Pounds

**STERLING
ELECTRIC, INC.****2000HG SELECTION AND PRICING****A7****Standard Duty- CLASS I AGMA Rated**

25 Horsepower				
F/L RPM	Double Reduction		Output Torque	List Price
	Frame	Model No.		
859	284TC-H0902	H0902A025859	1762	\$ 8,680
766		H0902A025766	1975	\$ 8,680
683	284TC-H0902	H0902A025683	2216	\$ 8,680
589		H0902A025589	2569	\$ 8,680
530	284TC-H0902	H0902A025530	2855	\$ 8,680
475		G0802A025475	3186	\$ 5,950
335	284TC-G0802	G0802A025335	4517	\$ 5,950
302		G0802A025302	5011	\$ 5,950
271	284TC-G0802	G0802A025271	5584	\$ 5,950
210		G0802A025210	7206	\$ 5,950
187	284TC-G0802	G0802A025187	8092	\$ 5,950
152		G0802A025152	9955	\$ 5,950
137	284TC-H0902	H0902A025137	11045	\$ 8,680
120		H0902A025120	12610	\$ 8,680
105	284TC-H0902	H0902A025105	14411	\$ 8,680
94		H0902A025094	16098	\$ 8,680
84	284TC-H0902	H0902A025084	18014	\$ 8,680
76		H0902A025076	19911	\$ 8,680
67	284TC-H1002	H1002A025067	22585	\$11,986
58		H1002A025058	26090	\$11,986
56	284TC-H1002	H1002A025056	27021	\$11,986
49		H1002A025049	30882	\$11,986
47	284TC-H1002	H1002A025047	32196	\$11,986
40	284TC-H1302	H1302A025040	37830	\$15,540
35		H1302A025035	43234	\$15,540
33	284TC-H1302	H1302A025033	45855	\$15,540
29		H1302A025029	52179	\$15,540
27	284TC-H1302	H1302A025027	56044	\$15,540

30 Horsepower				
F/L RPM	Double Reduction		Output Torque	List Price
	Frame	Model No.		
859	286TC-H0902	H0902A030859	2114	\$9,086
766		H0902A030766	2371	\$9,086
683	286TC-H0902	H0902A030683	2659	\$9,086
589		H0902A030589	3083	\$9,086
530	286TC-H0902	H0902A030530	3426	\$9,086
474		H0902A030474	3831	\$9,086
428	286TC-H0902	H0902A030428	4243	\$9,086
381		H0902A030381	4766	\$9,086
344	286TC-H0902	H0902A030344	5279	\$9,086
307		H0902A030307	5915	\$9,086
264	286TC-H0902	H0902A030264	6878	\$9,086
236		H0902A030236	7694	\$9,086
212	286TC-H0902	H0902A030212	8565	\$9,086
190		H0902A030190	9557	\$9,086
170	286TC-H0902	H0902A030170	10681	\$9,086
149		H0902A030149	12187	\$9,086
137	286TC-H0902	H0902A030137	13254	\$9,086
120		H0902A030120	15132	\$9,086
105	286TC-H0902	H0902A030105	17294	\$9,086
95		H1002A030095	19114	\$12,394
90	286TC-H1002	H1002A030090	20176	\$12,394
81		H1002A030081	22418	\$12,394
67	286TC-H1002	H1002A030067	27102	\$12,394
58		H1002A030058	31308	\$12,394
56	286TC-H1002	H1002A030056	32426	\$12,394
49		H1002A030049	37058	\$12,394
44	286TC-H1302	H1302A030044	41269	\$15,858
40		H1302A030040	45396	\$15,858

40 Horsepower				
F/L RPM	Double Reduction		Output Torque	List Price
	Frame	Model No.		
859	324TC-H0902	H0902A040859	2819	\$10,492
766		H0902A040766	3161	\$10,492
683	324TC-H0902	H0902A040683	3545	\$10,492
589		H0902A040589	4111	\$10,492
530	324TC-H0902	H0902A040530	4568	\$10,492
474		H0902A040474	5108	\$10,492
428	324TC-H0902	H0902A040428	5657	\$10,492
381		H0902A040381	6355	\$10,492
344	324TC-H0902	H0902A040344	7038	\$10,492
307		H0902A040307	7886	\$10,492
264	324TC-H0902	H0902A040264	9171	\$10,492
236		H0902A040236	10259	\$10,492
212	324TC-H0902	H0902A040220	11420	\$10,492
190		H0902A040204	12742	\$10,492
170	324TC-H0902	H0902A040165	14242	\$10,492
149		H0902A040146	16249	\$10,492
137	324TC-H0902	H0902A040139	17672	\$10,492
120		H0902A040123	20176	\$10,492
106	324TC-H1002	H1002A040106	22841	\$13,888
95		H1002A040095	25485	\$13,888
90	324TC-H1002	H1002A040090	26901	\$13,888
81		H1002A040081	29890	\$13,888
68	324TC-H1302	H1302A040068	35605	\$19,336
61		H1302A040061	39690	\$19,336
54	324TC-H1402	H1402A040054	44836	\$19,336
49		H1402A040049	49411	\$19,336
44	324TC-H1402	H1402A040044	55025	\$19,336

50 Horsepower				
F/L RPM	Double Reduction		Output Torque	List Price
	Frame	Model No.		
859	326TC-H0902	H0902A050859	3523	\$11,414
766		H0902A050766	3951	\$11,414
683	326TC-H0902	H0902A050683	4431	\$11,414
589		H0902A050589	5138	\$11,414
530	326TC-H0902	H0902A050530	5710	\$11,414
474		H0902A050474	6385	\$11,414
428	326TC-H0902	H0902A050428	7071	\$11,414
381		H0902A050381	7943	\$11,414
344	326TC-H0902	H0902A050344	8798	\$11,414
307		H0902A050307	9858	\$11,414
264	326TC-H0902	H0902A050264	11464	\$11,414
236		H0902A050236	12824	\$11,414
212	326TC-H0902	H0902A050212	14275	\$11,414
190		H0902A050190	15928	\$11,414
165	326TC-H1002	H1002A050165	18342	\$14,810
146		H1002A050146	20729	\$14,810
139	326TC-H1002	H1002A050139	21773	\$14,810
123		H1002A050123	24605	\$14,810
106	326TC-H1002	H1002A050106	28551	\$14,810
95		H1002A050095	31857	\$14,810
90	326TC-H1002	H1002A050090	33627	\$14,810
81		H1002A050081	37363	\$14,810
61	326TC-H1302	H1302A050061	49613	\$20,258
54		H1302A050054	56044	\$20,258

Note: All gearmotors listed are 3 Phase, 60Hz, 208-230/460 Volt, Totally Enclosed Enclosure Output Torque Values are in Inch Pounds

A8

2000HG SELECTION AND PRICING

STERLING
ELECTRIC, INC.

Sterli-Seal® Washdown Duty- CLASS I AGMA Rated

.33 Horsepower				
F/L RPM	Double Reduction		Output Torque	List Price •
	Frame	Model No.		
900	56C-R0402	SR0402AY03900	22	\$ 1,128
817		SR0402AY03817	24	\$ 1,128
705	56C-R0402	SR0402AY03705	28	\$ 1,128
607		SR0402AY03607	33	\$ 1,128
547	56C-R0402	SR0402AY03547	37	\$ 1,128
493		SR0402AY03493	41	\$ 1,128
442	56C-R0402	SR0402AY03442	45	\$ 1,128
394		SR0402AY03394	51	\$ 1,128
349	56C-R0402	SR0402AY03349	57	\$ 1,128
320		SR0402AY03320	62	\$ 1,128
307	56C-R0402	SR0402AY03307	65	\$ 1,128
276		SR0402AY03276	72	\$ 1,128
238	56C-R0402	SR0402AY03238	84	\$ 1,128
215		SR0402AY03215	93	\$ 1,128
193	56C-R0402	SR0402AY03193	103	\$ 1,128
173		SR0402AY03173	115	\$ 1,128
154	56C-R0402	SR0402AY03154	130	\$ 1,128
137		SR0402AY03137	146	\$ 1,128
118	56C-R0402	SR0402AY03118	169	\$ 1,128
103		SR0402AY03103	194	\$ 1,128
98	56C-R0402	SR0402AY03098	204	\$ 1,128
92		SR0402AY03092	217	\$ 1,128
77	56C-R0402	SR0402AY03077	259	\$ 1,128
64		SR0402AY03064	312	\$ 1,128
52	56C-R0402	SR0402AY03052	384	\$ 1,128
46		SR0402AY03046	434	\$ 1,128
40	56C-R0402	SR0402AY03040	499	\$ 1,128
36		SR0402AY03036	555	\$ 1,128
32	56C-R0402	SR0402AY03032	624	\$ 1,128

.50 Horsepower				
F/L RPM	Double Reduction		Output Torque	List Price •
	Frame	Model No.		
900	56C-R0402	SR0402AY05900	34	\$1,144
817		SR0402AY05817	37	\$1,144
705	56C-R0402	SR0402AY05705	43	\$1,144
607		SR0402AY05607	50	\$1,144
547	56C-R0402	SR0402AY05547	55	\$1,144
493		SR0402AY05493	61	\$1,144
442	56C-R0402	SR0402AY05442	68	\$1,144
394		SR0402AY05394	77	\$1,144
349	56C-R0402	SR0402AY05349	87	\$1,144
320		SR0402AY05320	95	\$1,144
307	56C-R0402	SR0402AY05307	99	\$1,144
276		SR0402AY05276	110	\$1,144
238	56C-R0402	SR0402AY05238	127	\$1,144
215		SR0402AY05215	141	\$1,144
193	56C-R0402	SR0402AY05193	157	\$1,144
173		SR0402AY05173	175	\$1,144
154	56C-R0402	SR0402AY05154	197	\$1,144
137		SR0402AY05137	221	\$1,144
118	56C-R0402	SR0402AY05118	256	\$1,144
103		SR0402AY05103	294	\$1,144
98	56C-R0402	SR0402AY05098	309	\$1,144
92		SR0402AY05092	329	\$1,144
77	56C-R0402	SR0402AY05077	393	\$1,144
64		SR0402AY05064	473	\$1,144
52	56C-R0402	SR0402AY05052	582	\$1,144
46		SR0402AY05046	658	\$1,144
40	56C-R0402	SR0402AY05040	757	\$1,144
36		SR0402AY05036	841	\$1,144
32	56C-R0402	SR0402AY05032	946	\$1,144

.75 Horsepower				
F/L RPM	Double Reduction		Output Torque	List Price •
	Frame	Model No.		
900	56C-R0402	SR0402AY07900	50	\$1,170
817		SR0402AY07817	56	\$1,170
705	56C-R0402	SR0402AY07705	64	\$1,170
607		SR0402AY07607	75	\$1,170
547	56C-R0402	SR0402AY07547	83	\$1,170
493		SR0402AY07493	92	\$1,170
442	56C-R0402	SR0402AY07442	103	\$1,170
394		SR0402AY07394	115	\$1,170
349	56C-R0402	SR0402AY07349	130	\$1,170
320		SR0402AY07320	142	\$1,170
307	56C-R0402	SR0402AY07307	148	\$1,170
276		SR0402AY07276	164	\$1,170
238	56C-R0402	SR0402AY07238	191	\$1,170
215		SR0402AY07215	211	\$1,170
193	56C-R0402	SR0402AY07193	235	\$1,170
173		SR0402AY07173	262	\$1,170
154	56C-R0402	SR0402AY07154	295	\$1,170
137		SR0402AY07137	331	\$1,170
118	56C-R0402	SR0402AY07118	385	\$1,170
103		SR0402AY07103	441	\$1,170
98	56C-R0402	SR0402AY07098	463	\$1,170
92		SR0402AY07092	493	\$1,170
77	56C-R0402	SR0402AY07077	590	\$1,170
64		SR0402AY07064	709	\$1,170
52	56C-R0402	SR0402AY07052	873	\$1,170
46		SR0402AY07046	987	\$1,170
40	56C-R0402	SR0402AY07040	1135	\$1,170
36		SR0402AY07036	1261	\$1,170
32	56C-R0402	SR0402AY07032	1419	\$1,170

1 Horsepower				
F/L RPM	Double Reduction		Output Torque	List Price •
	Frame	Model No.		
900	56C-R0402	SR0402A001900	67	\$1,192
817		SR0402A001817	74	\$1,192
705	56C-R0402	SR0402A001705	86	\$1,192
607		SR0402A001607	100	\$1,192
547	56C-R0402	SR0402A001547	111	\$1,192
493		SR0402A001493	123	\$1,192
442	56C-R0402	SR0402A001442	137	\$1,192
394		SR0402A001394	154	\$1,192
349	56C-R0402	SR0402A001349	173	\$1,192
320		SR0402A001320	189	\$1,192
307	56C-R0402	SR0402A001307	197	\$1,192
276		SR0402A001276	219	\$1,192
238	56C-R0402	SR0402A001238	254	\$1,192
215		SR0402A001215	282	\$1,192
193	56C-R0402	SR0402A001193	314	\$1,192
173		SR0402A001173	350	\$1,192
154	56C-R0402	SR0402A001154	393	\$1,192
137		SR0402A001137	442	\$1,192
118	56C-R0402	SR0402A001118	513	\$1,192
103		SR0402A001103	588	\$1,192
98	56C-R0402	SR0402A001098	618	\$1,192
92		SR0402A001092	658	\$1,192
77	56C-R0402	SR0402A001077	786	\$1,192
64		SR0402A001064	946	\$1,192
52	56C-R0402	SR0402A001052	1164	\$1,192
46		SR0402A001046	1316	\$1,192
40	56C-R0402	SR0402A001040	1513	\$1,192
36		SR0402A001036	1681	\$1,192
32	56C-R0402	SR0402A001032	1892	\$1,192

Note: All gearmotors listed are 3 Phase, 60Hz, 208-230/460 Volt, Totally Enclosed Enclosure Output Torque Values are in Inch Pounds

- Optional Silver Freeze (Stainless Pigment) Paint List Price \$28.00

**STERLING
ELECTRIC, INC.****2000HG SELECTION AND PRICING****A9****Sterli-Seal® Washdown Duty- CLASS I AGMA Rated**

1.5 Horsepower				
F/L RPM	Double Reduction		Output Torque	List Price •
	Frame	Model No.		
900	56C-R0402	SR0402AY15900	101	\$1,218
817		SR0402AY15817	111	\$1,218
705	56C-R0402	SR0402AY15705	129	\$1,218
607		SR0402AY15607	150	\$1,218
547	56C-R0402	SR0402AY15557	166	\$1,218
493		SR0402AY15493	184	\$1,218
442	56C-R0402	SR0402AY15442	205	\$1,218
394		SR0402AY15394	230	\$1,218
349	56C-R0402	SR0402AY15349	260	\$1,218
320		SR0402AY15320	284	\$1,218
307	56C-R0402	SR0402AY15307	296	\$1,218
276		SR0402AY15276	329	\$1,218
238	56C-R0402	SR0402AY15238	381	\$1,218
215		SR0402AY15215	422	\$1,218
193	56C-R0402	SR0402AY15193	470	\$1,218
173		SR0402AY15173	525	\$1,218
154	56C-R0402	SR0402AY15154	590	\$1,218
137		SR0402AY15137	663	\$1,218
118	56C-R0402	SR0402AY15118	769	\$1,218
103		SR0402AY15103	881	\$1,218
98	56C-R0402	SR0402AY15098	926	\$1,218
92		SR0402AY15092	987	\$1,218
77	56C-R0402	SR0402AY15077	1179	\$1,218
64		SR0402AY15064	1419	\$1,218
52	56C-R0402	SR0402AY15052	1746	\$1,218
46		SR0402AY15046	1974	\$1,218
40	56C-R0402	SR0402AY15040	2270	\$1,218
37	56C-R0602	SR0602AY15037	2454	\$1,582
33		SR0602AY15033	2751	\$1,582

2 Horsepower				
F/L RPM	Double Reduction		Output Torque	List Price •
	Frame	Model No.		
900	56C-R0402	SR0402A002900	135	\$1,292
817		SR0402A002817	148	\$1,292
705	56C-R0402	SR0402A002705	172	\$1,292
607		SR0402A002607	199	\$1,292
547	56C-R0402	SR0402A002547	221	\$1,292
493		SR0402A002493	246	\$1,292
442	56C-R0402	SR0402A002442	274	\$1,292
394		SR0402A002394	307	\$1,292
349	56C-R0402	SR0402A002349	347	\$1,292
320		SR0402A002320	378	\$1,292
307	56C-R0402	SR0402A002307	394	\$1,292
276		SR0402A002276	439	\$1,292
238	56C-R0402	SR0402A002238	509	\$1,292
215		SR0402A002215	563	\$1,292
193	56C-R0402	SR0402A002193	627	\$1,292
173		SR0402A002173	700	\$1,292
154	56C-R0402	SR0402A002154	786	\$1,292
137		SR0402A002137	884	\$1,292
118	56C-R0402	SR0402A002118	1025	\$1,292
103		SR0402A002103	1175	\$1,292
97	56C-R0402	SR0402A002097	1248	\$1,292
90	56C-R0602	SR0602A002090	1345	\$1,788
77	56C-R0402	SR0402A002077	1572	\$1,292
64		SR0402A002064	1891	\$1,292
52	56C-R0402	SR0402A002052	2328	\$1,292
50	56C-R0602	SR0602A002050	2421	\$1,788
41		SR0602A002041	2953	\$1,788
37	56C-R0602	SR0602A002037	3271	\$1,788
33		SR0602A002033	3668	\$1,788

3 Horsepower				
F/L RPM	Double Reduction		Output Torque	List Price •
	Frame	Model No.		
900	182TC-R0402	SR0402A003900	202	\$1,605
817		SR0402A003817	222	\$1,605
705	182TC-R0402	SR0402A003705	258	\$1,605
607		SR0402A003607	299	\$1,605
547	182TC-R0402	SR0402A003547	332	\$1,605
493		SR0402A003493	368	\$1,605
442	182TC-R0402	SR0402A003442	411	\$1,605
394		SR0402A003394	461	\$1,605
349	182TC-R0402	SR0402A003349	520	\$1,605
320		SR0402A003320	567	\$1,605
307	182TC-R0402	SR0402A003307	591	\$1,605
276		SR0402A003276	658	\$1,605
238	182TC-R0402	SR0402A003238	763	\$1,605
215		SR0402A003215	845	\$1,605
193	182TC-R0402	SR0402A003193	941	\$1,605
173		SR0402A003173	1050	\$1,605
154	182TC-R0402	SR0402A003154	1179	\$1,605
137		SR0402A003137	1325	\$1,605
123	182TC-R0602	SR0602A003123	1476	\$2,108
100		SR0602A003100	1816	\$2,108
98	182TC-R0602	SR0602A003098	1853	\$2,108
90		SR0602A003090	2018	\$2,108
81	182TC-R0602	SR0602A003081	2242	\$2,108
65		SR0602A003065	2794	\$2,108
55	182TC-R0602	SR0602A003055	3302	\$2,108
50		SR0602A003050	3632	\$2,108
41	182TC-R0602	SR0602A003041	4429	\$2,108
35	182TC-R0702	SR0702A003035	5188	\$2,852
31		SR0702A003031	5858	\$2,852

5 Horsepower				
F/L RPM	Double Reduction		Output Torque	List Price •
	Frame	Model No.		
900	184TC-R0402	SR0402A005900	336	\$1,851
817		SR0402A005817	370	\$1,851
705	184TC-R0402	SR0402A005705	429	\$1,851
607		SR0402A005607	499	\$1,851
547	184TC-R0402	SR0402A005547	553	\$1,851
493		SR0402A005493	614	\$1,851
442	184TC-R0402	SR0402A005442	685	\$1,851
394		SR0402A005394	768	\$1,851
349	184TC-R0402	SR0402A005349	867	\$1,851
320		SR0402A005320	946	\$1,851
307	184TC-R0402	SR0402A005307	986	\$1,851
276		SR0402A005276	1097	\$1,851
238	184TC-R0402	SR0402A005238	1272	\$1,851
215		SR0402A005215	1408	\$1,851
193	184TC-R0402	SR0402A005193	1568	\$1,851
173		SR0402A005173	1749	\$1,851
156	184TC-R0602	SR0602A005156	1940	\$2,153
142		SR0602A005142	2131	\$2,153
123	184TC-R0602	SR0602A005123	2460	\$2,153
106	184TC-R0702	SR0702A005106	2855	\$2,895
100		SR0702A005100	3026	\$2,895
89	184TC-R0702	SR0702A005089	3400	\$2,895
78		SR0702A005078	3880	\$2,895
63	184TC-R0702	SR0702A005063	4804	\$2,895
53		SR0702A005053	5710	\$2,895
49	184TC-R0702	SR0702A005049	6176	\$2,895
39	184TC-G0802	SG0802A005039	7760	\$3,816
36		SG0802A005036	8407	\$3,816
31	184TC-G0802	SG0802A005031	9763	\$3,816

Note: All gearmotors listed are 3 Phase, 60Hz, 208-230/460 Volt, Totally Enclosed Enclosure Output Torque Values are in Inch Pounds

- Optional Silver Freeze (Stainless Pigment) Paint List Price Frame R0402 R0602 \$28.00
R0702 G0802 \$46.00

A10

2000HG SELECTION AND PRICING

STERLING
ELECTRIC, INC.

Sterli-Seal® Washdown Duty- CLASS I AGMA Rated

7.5 Horsepower

F/L RPM	Double Reduction		Output Torque	List Price •
	Frame	Model No.		
860	213TC-R0602	SR0602AY75860	528	\$2,516
768		SR0602AY75768	591	\$2,516
684		SR0602AY75684	664	\$2,516
608	213TC-R0602	SR0602AY75608	747	\$2,516
539		SR0602AY75539	799	\$2,516
475		SR0602AY75475	956	\$2,516
436	213TC-R0602	SR0602AY75436	1041	\$2,516
381		SR0602AY75381	1191	\$2,516
346		SR0602AY75346	1312	\$2,516
315	213TC-R0602	SR0602AY75315	1441	\$2,516
298		SR0602AY75298	1523	\$2,516
280		SR0602AY75280	1621	\$2,516
249	213TC-R0602	SR0602AY75249	1823	\$2,516
221		SR0602AY75221	2054	\$2,516
195		SR0602AY75195	2328	\$2,516
179	213TC-R0602	SR0602AY75179	2536	\$2,516
156		SR0602AY75156	2910	\$2,516
142		SR0602AY75142	3197	\$2,516
125	213TC-R0702	SR0702AY75125	3632	\$3,885
106		SR0702AY75106	4283	\$3,885
100		SR0702AY75100	4540	\$3,885
89	213TC-R0702	SR0702AY75089	5101	\$3,885
78		SR0702AY75078	5820	\$3,885
62		213TC-G0802	SG0802AY75062	7322
53	SG0802AY75053		8565	\$4,118
48	SG0802AY75048		9458	\$4,118
39	213TC-G0802	SG0802AY75039	11640	\$4,118
36		SG0802AY75036	12610	\$4,118
29		213TC-H0902	SH0902AY75029	15654

10 Horsepower

F/L RPM	Double Reduction		Output Torque	List Price •	
	Frame	Model No.			
860	215TC-R0602	SR0602A010860	704	\$2,909	
768		SR0602A010768	788	\$2,909	
684		SR0602A010684	885	\$2,909	
608	215TC-R0602	SR0602A010608	996	\$2,909	
539		SR0602A010539	1066	\$2,909	
475		SR0602A010475	1274	\$2,909	
436	215TC-R0602	SR0602A010436	1388	\$2,909	
381		SR0602A010381	1589	\$2,909	
346		SR0602A010346	1749	\$2,909	
315	215TC-R0602	SR0602A010315	1922	\$2,909	
298		SR0602A010298	2031	\$2,909	
280		SR0602A010280	2162	\$2,909	
249	215TC-R0602	SR0602A010249	2431	\$2,909	
221		SR0602A010221	2739	\$2,909	
195		SR0602A010195	3104	\$2,909	
178	215TC-R0602	SR0602A010178	3400	\$2,909	
157		215TC-R0702	SR0702A010157	3855	\$4,174
137		SR0702A010137	4418	\$4,174	
125	215TC-R0702	SR0702A010125	5044	\$4,174	
106		SR0702A010106	5948	\$4,174	
100		SR0702A010100	6053	\$4,174	
84	215TC-G0802	SG0802A010084	7206	\$4,325	
75		SG0802A010075	8070	\$4,325	
62		SG0802A010062	9763	\$4,325	
53	215TC-G0802	SG0802A010053	11420	\$4,325	
48		SG0802A010048	12610	\$4,325	
39		215TC-H0902	SH0902A010039	15520	\$6,261
36	215TC-H0902	SH0902A010036	16813	\$6,261	
32		SH0902A010032	18915	\$6,261	

15 Horsepower

F/L RPM	Double Reduction		Output Torque	List Price •
	Frame	Model No.		
902	254TC-R0702	SR0702A015902	1007	\$4,468
719		SR0702A015719	1263	\$4,468
640		SR0702A015640	1419	\$4,468
568	254TC-R0702	SR0702A015568	1598	\$4,468
502		SR0702A015502	1809	\$4,468
461		SR0702A015461	1969	\$4,468
404	254TC-R0702	SR0702A015404	2247	\$4,468
351		SR0702A015351	2587	\$4,468
318		SR0702A015318	2855	\$4,468
280	254TC-R0702	SR0702A015280	3243	\$4,468
249		SR0702A015249	3646	\$4,468
221		SR0702A015221	4108	\$4,468
195	254TC-R0702	SR0702A015195	4656	\$4,468
180		SR0702A015180	5044	\$4,468
153		254TC-G0802	SG0802A015153	5934
135	SG0802A015135		6725	\$4,704
116	SG0802A015116		7827	\$4,704
105	254TC-G0802	SG0802A015105	8647	\$4,704
96		SG0802A015096	9458	\$4,704
85		SG0802A015085	10681	\$4,704
75	254TC-H0902	SG0802A015075	12106	\$4,704
61		SH0902A015061	14884	\$7,808
54		SH0902A015054	16813	\$7,808
49	254TC-H0902	SH0902A015049	18529	\$7,808
41		SH1002A015041	22144	\$11,528
37		SH1002A015037	24538	\$11,528
34	254TC-H1002	SH1002A015034	26704	\$11,528

20 Horsepower

F/L RPM	Double Reduction		Output Torque	List Price •	
	Frame	Model No.			
902	256TC-R0702	SR0702A020902	1342	\$5,042	
719		SR0702A020719	1684	\$5,042	
640		SR0702A020640	1892	\$5,042	
568	256TC-R0702	SR0702A020568	2131	\$5,042	
502		SR0702A020502	2411	\$5,042	
461		SR0702A020461	2626	\$5,042	
404	256TC-R0702	SR0702A020404	2996	\$5,042	
351		SR0702A020351	3449	\$5,042	
314		SR0702A020314	3855	\$5,042	
280	256TC-R0702	SR0702A020280	4323	\$5,042	
210		256TC-G0802	SG0802A020210	5765	\$5,283
187		SG0802A020187	6474	\$5,283	
153	256TC-G0802	SG0802A020153	7912	\$5,283	
135		SG0802A020135	8967	\$5,283	
116		SG0802A020116	10436	\$5,283	
105	256TC-G0802	SG0802A020105	11529	\$5,283	
94		256TC-H0902	SH0902A020094	12878	\$8,423
84		SH0902A020084	14411	\$8,423	
76	256TC-H0902	SH0902A020076	15928	\$8,423	
67		SH0902A020067	18068	\$8,423	
60		SH0902A020060	20176	\$8,423	
56	256TC-H1002	SH1002A020056	21617	\$12,190	
49		SH1002A020049	24705	\$12,190	
47		SH1002A020047	25757	\$12,190	
40	256TC-H1002	SH1002A020040	30264	\$12,190	
36		SH1002A020036	33627	\$12,190	
33		SH1302A020033	36684	\$17,282	

Note: All gearmotors listed are 3 Phase, 60Hz, 208-230/460 Volt, Totally Enclosed Enclosure Output Torque Values are in Inch Pounds

- Optional Silver Freeze (Stainless Pigment) Paint List Price Frame

R0402	R0602	\$28.00
R0702	G0802	\$46.00
H0902	H1302	\$74.00

**STERLING
ELECTRIC, INC.****200HG SELECTION AND PRICING****A11****Sterli-Seal® Washdown Duty- CLASS I AGMA Rated****25 Horsepower**

F/L RPM	Double Reduction		Output Torque	List Price •
	Frame	Model No.		
859	284TC-H0902	SH0902A025859	1762	\$9,865
766		SH0902A025766	1975	\$9,865
683	284TC-H0902	SH0902A025683	2216	\$9,865
589		SH0902A025589	2569	\$9,865
530	284TC-H0902	SH0902A025530	2855	\$9,865
475		SG0802A025475	3186	\$6,725
335	284TC-G0802	SG0802A025335	4517	\$6,725
302		SG0802A025302	5011	\$6,725
271	284TC-G0802	SG0802A025271	5584	\$6,725
210		SG0802A025210	7206	\$6,725
187	284TC-G0802	SG0802A025187	8092	\$6,725
152		SG0802A025152	9955	\$6,725
137	284TC-H0902	SH0902A025137	11045	\$9,865
120		SH0902A025120	12610	\$9,865
105	284TC-H0902	SH0902A025105	14411	\$9,865
94		SH0902A025094	16098	\$9,865
84	284TC-H0902	SH0902A025084	18014	\$9,865
76		SH0902A025076	19911	\$9,865
67	284TC-H1002	SH1002A025067	22585	\$13,621
58		SH1002A025058	26090	\$13,621
56	284TC-H1002	SH1002A025056	27021	\$13,621
49		SH1002A025049	30882	\$13,621
47	284TC-H1002	SH1002A025047	32196	\$13,621
40	284TC-H1302	SH1302A025040	37830	\$17,199
35		SH1302A025035	43234	\$17,199
33	284TC-H1302	SH1302A025033	45855	\$17,199
29		SH1302A025029	52179	\$17,199
27	284TC-H1302	SH1302A025027	56044	\$17,199

30 Horsepower

F/L RPM	Double Reduction		Output Torque	List Price •
	Frame	Model No.		
859	286TC-H0902	SH0902A030859	2114	\$10,326
766		SH0902A030766	2371	\$10,326
683	286TC-H0902	SH0902A030683	2659	\$10,326
589		SH0902A030589	3083	\$10,326
530	286TC-H0902	SH0902A030530	3426	\$10,326
474		SH0902A030474	3831	\$10,326
428	286TC-H0902	SH0902A030428	4243	\$10,326
381		SH0902A030381	4766	\$10,326
344	286TC-H0902	SH0902A030344	5279	\$10,326
307		SH0902A030307	5915	\$10,326
264	286TC-H0902	SH0902A030264	6878	\$10,326
236		SH0902A030236	7694	\$10,326
212	286TC-H0902	SH0902A030212	8565	\$10,326
190		SH0902A030190	9557	\$10,326
170	286TC-H0902	SH0902A030170	10681	\$10,326
149		SH0902A030149	12187	\$10,326
137	286TC-H0902	SH0902A030137	13254	\$10,326
120		SH0902A030120	15132	\$10,326
105	286TC-H0902	SH0902A030105	17294	\$10,326
95		SH1002A030095	19114	\$14,087
90	286TC-H1002	SH1002A030090	20176	\$14,087
81		SH1002A030081	22418	\$14,087
67	286TC-H1002	SH1002A030067	27102	\$14,087
58		SH1002A030058	31308	\$14,087
56	286TC-H1002	SH1002A030056	32426	\$14,087
49		SH1002A030049	37058	\$14,087
44	286TC-H1302	SH1302A030044	41269	\$17,668
40		SH1302A030040	45396	\$17,668

40 Horsepower

F/L RPM	Double Reduction		Output Torque	List Price •
	Frame	Model No.		
859	324TC-H0902	SH0902A040859	2819	\$11,920
766		SH0902A040766	3161	\$11,920
683	324TC-H0902	SH0902A040683	3545	\$11,920
589		SH0902A040589	4111	\$11,920
530	324TC-H0902	SH0902A040530	4568	\$11,920
474		SH0902A040474	5108	\$11,920
428	324TC-H0902	SH0902A040428	5657	\$11,920
381		SH0902A040381	6355	\$11,920
344	324TC-H0902	SH0902A040344	7038	\$11,920
307		SH0902A040307	7886	\$11,920
264	324TC-H0902	SH0902A040264	9171	\$11,920
236		SH0902A040236	10259	\$11,920
212	324TC-H0902	SH0902A040220	11420	\$11,920
190		SH0902A040204	12742	\$11,920
170	324TC-H0902	SH0902A040165	14242	\$11,920
149		SH0902A040146	16249	\$11,920
137	324TC-H0902	SH0902A040139	17672	\$11,920
120		SH0902A040123	20176	\$11,920
106	324TC-H1002	SH1002A040106	22841	\$15,785
95		SH1002A040095	25485	\$15,785
90	324TC-H1002	SH1002A040090	26901	\$15,785
81		SH1002A040081	29890	\$15,785
68	324TC-H1302	SH1302A040068	35605	\$21,416
61		SH1302A040061	39690	\$21,416
54	324TC-H1402	SH1402A040054	44836	\$21,416
49		SH1402A040049	49411	\$21,416
44	324TC-H1402	SH1402A040044	55025	\$21,416

50 Horsepower

F/L RPM	Double Reduction		Output Torque	List Price •
	Frame	Model No.		
859	326TC-H0902	SH0902A050859	3523	\$12,972
766		SH0902A050766	3951	\$12,972
683	326TC-H0902	SH0902A050683	4431	\$12,972
589		SH0902A050589	5138	\$12,972
530	326TC-H0902	SH0902A050530	5710	\$12,972
474		SH0902A050474	6385	\$12,972
428	326TC-H0902	SH0902A050428	7071	\$12,972
381		SH0902A050381	7943	\$12,972
344	326TC-H0902	SH0902A050344	8798	\$12,972
307		SH0902A050307	9858	\$12,972
264	326TC-H0902	SH0902A050264	11464	\$12,972
236		SH0902A050236	12824	\$12,972
212	326TC-H0902	SH0902A050212	14275	\$12,972
190		SH0902A050190	15928	\$12,972
165	326TC-H1002	SH1002A050165	18342	\$16,831
146		SH1002A050146	20729	\$16,831
139	326TC-H1002	SH1002A050139	21773	\$16,831
123		SH1002A050123	24605	\$16,831
106	326TC-H1002	SH1002A050106	28551	\$16,831
95		SH1002A050095	31857	\$16,831
90	326TC-H1002	SH1002A050090	33627	\$16,831
81		SH1002A050081	37363	\$16,831
61	326TC-H1302	SH1302A050061	49613	\$22,464
54		SH1302A050054	56044	\$22,464

Note: All gearmotors listed are 3 Phase, 60Hz, 208-230/460 Volt, Totally Enclosed Enclosure Output Torque Values are in Inch Pounds

- Optional Silver Freeze (Stainless Pigment) Paint List Price Frame

R0702	G0802	\$46.00
H0902	H1302	\$74.00

A12

2000HG SELECTION AND PRICING

STERLING
ELECTRIC, INC.

Sterli-Seal® All Stainless Steel Washdown Duty – Class I AGMA Rated

.33 Horsepower				
F/L RPM	Double Reduction		Output Torque	List Price
	Frame	Model No.		
900	56C-R0402	SSR0402AY03900	22	\$2,791
817		SSR0402AY03817	24	\$2,791
705	56C-R0402	SSR0402AY03705	28	\$2,791
607		SSR0402AY03607	33	\$2,791
547	56C-R0402	SSR0402AY03547	37	\$2,791
493		SSR0402AY03493	41	\$2,791
442	56C-R0402	SSR0402AY03442	45	\$2,791
394		SSR0402AY03394	51	\$2,791
349	56C-R0402	SSR0402AY03349	57	\$2,791
320		SSR0402AY03320	62	\$2,791
307	56C-R0402	SSR0402AY03307	65	\$2,791
276		SSR0402AY03276	72	\$2,791
238	56C-R0402	SSR0402AY03238	84	\$2,791
215		SSR0402AY03215	93	\$2,791
193	56C-R0402	SSR0402AY03193	103	\$2,791
173		SSR0402AY03173	115	\$2,791
154	56C-R0402	SSR0402AY03154	130	\$2,791
137		SSR0402AY03137	146	\$2,791
118	56C-R0402	SSR0402AY03118	169	\$2,791
103		SSR0402AY03103	194	\$2,791
98	56C-R0402	SSR0402AY03098	204	\$2,791
92		SSR0402AY03092	217	\$2,791
77	56C-R0402	SSR0402AY03077	259	\$2,791
64		SSR0402AY03064	312	\$2,791
52	56C-R0402	SSR0402AY03052	384	\$2,791
46		SSR0402AY03046	434	\$2,791
40	56C-R0402	SSR0402AY03040	499	\$2,791
36		SSR0402AY03036	555	\$2,791
32	56C-R0402	SSR0402AY03032	624	\$2,791

.50 Horsepower				
F/L RPM	Double Reduction		Output Torque	List Price
	Frame	Model No.		
900	56C-R0402	SSR0402AY05900	34	\$2,806
817		SSR0402AY05817	37	\$2,806
705	56C-R0402	SSR0402AY05705	43	\$2,806
607		SSR0402AY05607	50	\$2,806
547	56C-R0402	SSR0402AY05547	55	\$2,806
493		SSR0402AY05493	61	\$2,806
442	56C-R0402	SSR0402AY05442	68	\$2,806
394		SSR0402AY05394	77	\$2,806
349	56C-R0402	SSR0402AY05349	87	\$2,806
320		SSR0402AY05320	95	\$2,806
307	56C-R0402	SSR0402AY05307	99	\$2,806
276		SSR0402AY05276	110	\$2,806
238	56C-R0402	SSR0402AY05238	127	\$2,806
215		SSR0402AY05215	141	\$2,806
193	56C-R0402	SSR0402AY05193	157	\$2,806
173		SSR0402AY05173	175	\$2,806
154	56C-R0402	SSR0402AY05154	197	\$2,806
137		SSR0402AY05137	221	\$2,806
118	56C-R0402	SSR0402AY05118	256	\$2,806
103		SSR0402AY05103	294	\$2,806
98	56C-R0402	SSR0402AY05098	309	\$2,806
92		SSR0402AY05092	329	\$2,806
77	56C-R0402	SSR0402AY05077	393	\$2,806
64		SSR0402AY05064	473	\$2,806
52	56C-R0402	SSR0402AY05052	582	\$2,806
46		SSR0402AY05046	658	\$2,806
40	56C-R0402	SSR0402AY05040	757	\$2,806
36		SSR0402AY05036	841	\$2,806
32	56C-R0402	SSR0402AY05032	946	\$2,806

.75 Horsepower				
F/L RPM	Double Reduction		Output Torque	List Price
	Frame	Model No.		
900	56C-R0402	SSR0402AY07900	50	\$2,898
817		SSR0402AY07817	56	\$2,898
705	56C-R0402	SSR0402AY07705	64	\$2,898
607		SSR0402AY07607	75	\$2,898
547	56C-R0402	SSR0402AY07547	83	\$2,898
493		SSR0402AY07493	92	\$2,898
442	56C-R0402	SSR0402AY07442	103	\$2,898
394		SSR0402AY07394	115	\$2,898
349	56C-R0402	SSR0402AY07349	130	\$2,898
320		SSR0402AY07320	142	\$2,898
307	56C-R0402	SSR0402AY07307	148	\$2,898
276		SSR0402AY07276	164	\$2,898
238	56C-R0402	SSR0402AY07238	191	\$2,898
215		SSR0402AY07215	211	\$2,898
193	56C-R0402	SSR0402AY07193	235	\$2,898
173		SSR0402AY07173	262	\$2,898
154	56C-R0402	SSR0402AY07154	295	\$2,898
137		SSR0402AY07137	331	\$2,898
118	56C-R0402	SSR0402AY07118	385	\$2,898
103		SSR0402AY07103	441	\$2,898
98	56C-R0402	SSR0402AY07098	463	\$2,898
92		SSR0402AY07092	493	\$2,898
77	56C-R0402	SSR0402AY07077	590	\$2,898
64		SSR0402AY07064	709	\$2,898
52	56C-R0402	SSR0402AY07052	873	\$2,898
46		SSR0402AY07046	987	\$2,898
40	56C-R0402	SSR0402AY07040	1135	\$2,898
36		SSR0402AY07036	1261	\$2,898
32	56C-R0402	SSR0402AY07032	1419	\$2,898

1 Horsepower				
F/L RPM	Double Reduction		Output Torque	List Price
	Frame	Model No.		
900	56C-R0402	SSR0402A001900	67	\$2,927
817		SSR0402A001817	74	\$2,927
705	56C-R0402	SSR0402A001705	86	\$2,927
607		SSR0402A001607	100	\$2,927
547	56C-R0402	SSR0402A001547	111	\$2,927
493		SSR0402A001493	123	\$2,927
442	56C-R0402	SSR0402A001442	137	\$2,927
394		SSR0402A001394	154	\$2,927
349	56C-R0402	SSR0402A001349	173	\$2,927
320		SSR0402A001320	189	\$2,927
307	56C-R0402	SSR0402A001307	197	\$2,927
276		SSR0402A001276	219	\$2,927
238	56C-R0402	SSR0402A001238	254	\$2,927
215		SSR0402A001215	282	\$2,927
193	56C-R0402	SSR0402A001193	314	\$2,927
173		SSR0402A001173	350	\$2,927
154	56C-R0402	SSR0402A001154	393	\$2,927
137		SSR0402A001137	442	\$2,927
118	56C-R0402	SSR0402A001118	513	\$2,927
103		SSR0402A001103	588	\$2,927
98	56C-R0402	SSR0402A001098	618	\$2,927
92		SSR0402A001092	658	\$2,927
77	56C-R0402	SSR0402A001077	786	\$2,927
64		SSR0402A001064	946	\$2,927
52	56C-R0402	SSR0402A001052	1164	\$2,927
46		SSR0402A001046	1316	\$2,927
40	56C-R0402	SSR0402A001040	1513	\$2,927
36		SSR0402A001036	1681	\$2,927
32	56C-R0402	SSR0402A001032	1892	\$2,927

Note: All gearmotors listed are 3 Phase, 60Hz, 208-230/460 Volt, Totally Enclosed Enclosure Output Torque Values are in Inch Pounds

**STERLING
ELECTRIC, INC.****200HG SELECTION AND PRICING****A13****Sterli-Seal® All Stainless Steel Washdown Duty – Class I AGMA Rated**

1.5 Horsepower				
F/L RPM	Double Reduction		Output Torque	List Price
	Frame	Model No.		
900	56C-R0402	SSR0402AY15900	101	\$2,957
817		SSR0402AY15817	111	\$2,957
705	56C-R0402	SSR0402AY15705	129	\$2,957
607		SSR0402AY15607	150	\$2,957
547	56C-R0402	SSR0402AY15557	166	\$2,957
493		SSR0402AY15493	184	\$2,957
442	56C-R0402	SSR0402AY15442	205	\$2,957
394		SSR0402AY15394	230	\$2,957
349	56C-R0402	SSR0402AY15349	260	\$2,957
320		SSR0402AY15320	284	\$2,957
307	56C-R0402	SSR0402AY15307	296	\$2,957
276		SSR0402AY15276	329	\$2,957
238	56C-R0402	SSR0402AY15238	381	\$2,957
215		SSR0402AY15215	422	\$2,957
193	56C-R0402	SSR0402AY15193	470	\$2,957
173		SSR0402AY15173	525	\$2,957
154	56C-R0402	SSR0402AY15154	590	\$2,957
137		SSR0402AY15137	663	\$2,957
118	56C-R0402	SSR0402AY15118	769	\$2,957
103		SSR0402AY15103	881	\$2,957
98	56C-R0402	SSR0402AY15098	926	\$2,957
92		SSR0402AY15092	987	\$2,957
77	56C-R0402	SSR0402AY15077	1179	\$2,957
64		SSR0402AY15064	1419	\$2,957
52	56C-R0402	SSR0402AY15052	1746	\$2,957
46		SSR0402AY15046	1974	\$2,957
40	56C-R0402	SSR0402AY15040	2270	\$2,957
37	56C-R0602	SSR0602AY15037	2454	\$3,402
33		SSR0602AY15033	2751	\$3,402

2 Horsepower				
F/L RPM	Double Reduction		Output Torque	List Price
	Frame	Model No.		
900	56C-R0402	SSR0402A002900	135	\$3,058
817		SSR0402A002817	148	\$3,058
705	56C-R0402	SSR0402A002705	172	\$3,058
607		SSR0402A002607	199	\$3,058
547	56C-R0402	SSR0402A002547	221	\$3,058
493		SSR0402A002493	246	\$3,058
442	56C-R0402	SSR0402A002442	274	\$3,058
394		SSR0402A002394	307	\$3,058
349	56C-R0402	SSR0402A002349	347	\$3,058
320		SSR0402A002320	378	\$3,058
307	56C-R0402	SSR0402A002307	394	\$3,058
276		SSR0402A002276	439	\$3,058
238	56C-R0402	SSR0402A002238	509	\$3,058
215		SSR0402A002215	563	\$3,058
193	56C-R0402	SSR0402A002193	627	\$3,058
173		SSR0402A002173	700	\$3,058
154	56C-R0402	SSR0402A002154	786	\$3,058
137		SSR0402A002137	884	\$3,058
118	56C-R0402	SSR0402A002118	1025	\$3,058
103		SSR0402A002103	1175	\$3,058
97	56C-R0402	SSR0402A002097	1248	\$3,058
90	56C-R0602	SSR0602A002090	1345	\$3,486
77	56C-R0402	SSR0402A002077	1572	\$3,058
64		SSR0402A002064	1891	\$3,058
52	56C-R0402	SSR0402A002052	2328	\$3,058
50	56C-R0602	SSR0602A002050	2421	\$3,486
41		SSR0602A002041	2953	\$3,486
37	56C-R0602	SSR0602A002037	3271	\$3,486
33		SSR0602A002033	3668	\$3,486

3 Horsepower				
F/L RPM	Double Reduction		Output Torque	List Price
	Frame	Model No.		
900	182TC-R0402	SSR0402A003900	202	\$3,590
817		SSR0402A003817	222	\$3,590
705	182TC-R0402	SSR0402A003705	258	\$3,590
607		SSR0402A003607	299	\$3,590
547	182TC-R0402	SSR0402A003547	332	\$3,590
493		SSR0402A003493	368	\$3,590
442	182TC-R0402	SSR0402A003442	411	\$3,590
394		SSR0402A003394	461	\$3,590
349	182TC-R0402	SSR0402A003349	520	\$3,590
320		SSR0402A003320	567	\$3,590
307	182TC-R0402	SSR0402A003307	591	\$3,590
276		SSR0402A003276	658	\$3,590
238	182TC-R0402	SSR0402A003238	763	\$3,590
215		SSR0402A003215	845	\$3,590
193	182TC-R0402	SSR0402A003193	941	\$3,590
173		SSR0402A003173	1050	\$3,590
154	182TC-R0402	SSR0402A003154	1179	\$3,590
137		SSR0402A003137	1325	\$3,590
123	182TC-R0602	SSR0602A003123	1476	\$3,925
100		SSR0602A003100	1816	\$3,925
98	182TC-R0602	SSR0602A003098	1853	\$3,925
90		SSR0602A003090	2018	\$3,925
81	182TC-R0602	SSR0602A003081	2242	\$3,925
65		SSR0602A003065	2794	\$3,925
55	182TC-R0602	SSR0602A003055	3302	\$3,925
50		SSR0602A003050	3632	\$3,925
41	182TC-R0602	SSR0602A003041	4429	\$3,925
35	182TC-R0702	SSR0702A003035	5188	\$7,577
31		SSR0702A003031	5858	\$7,577

5 Horsepower				
F/L RPM	Double Reduction		Output Torque	List Price
	Frame	Model No.		
900	184TC-R0402	SSR0402A005900	336	\$3,728
817		SSR0402A005817	370	\$3,728
705	184TC-R0402	SSR0402A005705	429	\$3,728
607		SSR0402A005607	499	\$3,728
547	184TC-R0402	SSR0402A005547	553	\$3,728
493		SSR0402A005493	614	\$3,728
442	184TC-R0402	SSR0402A005442	685	\$3,728
394		SSR0402A005394	768	\$3,728
349	184TC-R0402	SSR0402A005349	867	\$3,728
320		SSR0402A005320	946	\$3,728
307	184TC-R0402	SSR0402A005307	986	\$3,728
276		SSR0402A005276	1097	\$3,728
238	184TC-R0402	SSR0402A005238	1272	\$3,728
215		SSR0402A005215	1408	\$3,728
193	184TC-R0402	SSR0402A005193	1568	\$3,728
173		SSR0402A005173	1749	\$3,728
156	184TC-R0602	SSR0602A005156	1940	\$4,105
142		SSR0602A005142	2131	\$4,105
123	184TC-R0602	SSR0602A005123	2460	\$4,105
106	184TC-R0702	SSR0702A005106	2855	\$7,757
100		SSR0702A005100	3026	\$7,757
89	184TC-R0702	SSR0702A005089	3400	\$7,757
78		SSR0702A005078	3880	\$7,757
63	184TC-R0702	SSR0702A005063	4804	\$7,757
53		SSR0702A005053	5710	\$7,757
49	184TC-R0702	SSR0702A005049	6176	\$7,757

Note: All gearmotors listed are 3 Phase, 60Hz, 208-230/460 Volt, Totally Enclosed Enclosure Output Torque Values are in Inch Pounds

A14

2000HG SELECTION AND PRICING

STERLING
ELECTRIC, INC.
Sterli-Seal® All Stainless Steel Washdown Duty – Class I AGMA Rated

7.5 Horsepower

F/L RPM	Double Reduction		Output Torque	List Price
	Frame	Model No.		
860	213TC-R0602	SSR0602AY75860	528	\$4,896
768		SSR0602AY75768	591	\$4,896
684		SSR0602AY75684	664	\$4,896
608	213TC-R0602	SSR0602AY75608	747	\$4,896
539		SSR0602AY75539	799	\$4,896
475		SSR0602AY75475	956	\$4,896
436	213TC-R0602	SSR0602AY75436	1041	\$4,896
381		SSR0602AY75381	1191	\$4,896
346		SSR0602AY75346	1312	\$4,896
315	213TC-R0602	SSR0602AY75315	1441	\$4,896
298		SSR0602AY75298	1523	\$4,896
280		SSR0602AY75280	1621	\$4,896
249	213TC-R0602	SSR0602AY75249	1823	\$4,896
221		SSR0602AY75221	2054	\$4,896
195		SSR0602AY75195	2328	\$4,896
179	213TC-R0602	SSR0602AY75179	2536	\$4,896
156		SSR0602AY75156	2910	\$4,896
142		SSR0602AY75142	3197	\$4,896
125	213TC-R0702	SSR0702AY75125	3632	\$8,548
106		SSR0702AY75106	4283	\$8,548
100	213TC-R0702	SSR0702AY75100	4540	\$8,548
89		SSR0702AY75089	5101	\$8,548
78		SSR0702AY75078	5820	\$8,548

10 Horsepower

F/L RPM	Double Reduction		Output Torque	List Price
	Frame	Model No.		
860	215TC-R0602	SSR0602A010860	704	\$5,100
768		SSR0602A010768	788	\$5,100
684		SSR0602A010684	885	\$5,100
608	215TC-R0602	SSR0602A010608	996	\$5,100
539		SSR0602A010539	1066	\$5,100
475		SSR0602A010475	1274	\$5,100
436	215TC-R0602	SSR0602A010436	1388	\$5,100
381		SSR0602A010381	1589	\$5,100
346		SSR0602A010346	1749	\$5,100
315	215TC-R0602	SSR0602A010315	1922	\$5,100
298		SSR0602A010298	2031	\$5,100
280		SSR0602A010280	2162	\$5,100
249	215TC-R0602	SSR0602A010249	2431	\$5,100
221		SSR0602A010221	2739	\$5,100
195		SSR0602A010195	3104	\$5,100
178	215TC-R0602	SSR0602A010178	3400	\$5,100
157		SSR0702A010157	3855	\$8,804
137		SSR0702A010137	4418	\$8,804
125	215TC-R0702	SSR0702A010125	5044	\$8,804
106		SSR0702A010106	5948	\$8,804
100		SSR0702A010100	6053	\$8,804

15 Horsepower

F/L RPM	Double Reduction		Output Torque	List Price
	Frame	Model No.		
902	254TC-R0702	SSR0702A015902	1007	\$10,649
719		SSR0702A015719	1263	\$10,649
640		SSR0702A015640	1419	\$10,649
568	254TC-R0702	SSR0702A015568	1598	\$10,649
502		SSR0702A015502	1809	\$10,649
461		SSR0702A015461	1969	\$10,649
404	254TC-R0702	SSR0702A015404	2247	\$10,649
351		SSR0702A015351	2587	\$10,649
318		SSR0702A015318	2855	\$10,649
280	254TC-R0702	SSR0702A015280	3243	\$10,649
249		SSR0702A015249	3646	\$10,649
221		SSR0702A015221	4108	\$10,649
195	254TC-R0702	SSR0702A015195	4656	\$10,649
180		SSR0702A015180	5044	\$10,649

20 Horsepower

F/L RPM	Double Reduction		Output Torque	List Price
	Frame	Model No.		
902	256TC-R0702	SSR0702A020902	1342	\$11,040
719		SSR0702A020719	1684	\$11,040
640		SSR0702A020640	1892	\$11,040
568	256TC-R0702	SSR0702A020568	2131	\$11,040
502		SSR0702A020502	2411	\$11,040
461		SSR0702A020461	2626	\$11,040
404	256TC-R0702	SSR0702A020404	2996	\$11,040
351		SSR0702A020351	3449	\$11,040
314		SSR0702A020314	3855	\$11,040
280	256TC-R0702	SSR0702A020280	4323	\$11,040

Note: All gearmotors listed are 3 Phase, 60Hz, 208-230/460 Volt, Totally Enclosed Enclosure Output Torque Values are in Inch Pounds

**STERLING
ELECTRIC, INC.****2000HG SELECTION AND PRICING****A15****Sterli-Seal® All Stainless Steel Washdown Duty - Class I AGMA Rated
Inverter Duty (10:1 Constant Torque)**

.50 Horsepower				
F/L RPM	Double Reduction		Output Torque	List Price
	Frame	Model No.		
900	56C-R0402	SSIR0402AY05900	34	\$3,772
817		SSIR0402AY05817	37	\$3,772
705	56C-R0402	SSIR0402AY05705	43	\$3,772
607		SSIR0402AY05607	50	\$3,772
547	56C-R0402	SSIR0402AY05547	55	\$3,772
493		SSIR0402AY05493	61	\$3,772
442	56C-R0402	SSIR0402AY05442	68	\$3,772
394		SSIR0402AY05394	77	\$3,772
349	56C-R0402	SSIR0402AY05349	87	\$3,772
320		SSIR0402AY05320	95	\$3,772
307	56C-R0402	SSIR0402AY05307	99	\$3,772
276		SSIR0402AY05276	110	\$3,772
238	56C-R0402	SSIR0402AY05238	127	\$3,772
215		SSIR0402AY05215	141	\$3,772
193	56C-R0402	SSIR0402AY05193	157	\$3,772
173		SSIR0402AY05173	175	\$3,772
154	56C-R0402	SSIR0402AY05154	197	\$3,772
137		SSIR0402AY05137	221	\$3,772
118	56C-R0402	SSIR0402AY05118	256	\$3,772
103		SSIR0402AY05103	294	\$3,772
98	56C-R0402	SSIR0402AY05098	309	\$3,772
92		SSIR0402AY05092	329	\$3,772
77	56C-R0402	SSIR0402AY05077	393	\$3,772
64		SSIR0402AY05064	473	\$3,772
52	56C-R0402	SSIR0402AY05052	582	\$3,772
46		SSIR0402AY05046	658	\$3,772
40	56C-R0402	SSIR0402AY05040	757	\$3,772
36		SSIR0402AY05036	841	\$3,772
32	56C-R0402	SSIR0402AY05032	946	\$3,772

.75 Horsepower				
F/L RPM	Double Reduction		Output Torque	List Price
	Frame	Model No.		
900	56C-R0402	SSIR0402AY07900	50	\$3,982
817		SSIR0402AY07817	56	\$3,982
705	56C-R0402	SSIR0402AY07705	64	\$3,982
607		SSIR0402AY07607	75	\$3,982
547	56C-R0402	SSIR0402AY07547	83	\$3,982
493		SSIR0402AY07493	92	\$3,982
442	56C-R0402	SSIR0402AY07442	103	\$3,982
394		SSIR0402AY07394	115	\$3,982
349	56C-R0402	SSIR0402AY07349	130	\$3,982
320		SSIR0402AY07320	142	\$3,982
307	56C-R0402	SSIR0402AY07307	148	\$3,982
276		SSIR0402AY07276	164	\$3,982
238	56C-R0402	SSIR0402AY07238	191	\$3,982
215		SSIR0402AY07215	211	\$3,982
193	56C-R0402	SSIR0402AY07193	235	\$3,982
173		SSIR0402AY07173	262	\$3,982
154	56C-R0402	SSIR0402AY07154	295	\$3,982
137		SSIR0402AY07137	331	\$3,982
118	56C-R0402	SSIR0402AY07118	385	\$3,982
103		SSIR0402AY07103	441	\$3,982
98	56C-R0402	SSIR0402AY07098	463	\$3,982
92		SSIR0402AY07092	493	\$3,982
77	56C-R0402	SSIR0402AY07077	590	\$3,982
64		SSIR0402AY07064	709	\$3,982
52	56C-R0402	SSIR0402AY07052	873	\$3,982
46		SSIR0402AY07046	987	\$3,982
40	56C-R0402	SSIR0402AY07040	1135	\$3,982
36		SSIR0402AY07036	1261	\$3,982
32	56C-R0402	SSIR0402AY07032	1419	\$3,982

1 Horsepower				
F/L RPM	Double Reduction		Output Torque	List Price
	Frame	Model No.		
900	56C-R0402	SSIR0402A001900	67	\$4,049
817		SSIR0402A001817	74	\$4,049
705	56C-R0402	SSIR0402A001705	86	\$4,049
607		SSIR0402A001607	100	\$4,049
547	56C-R0402	SSIR0402A001547	111	\$4,049
493		SSIR0402A001493	123	\$4,049
442	56C-R0402	SSIR0402A001442	137	\$4,049
394		SSIR0402A001394	154	\$4,049
349	56C-R0402	SSIR0402A001349	173	\$4,049
320		SSIR0402A001320	189	\$4,049
307	56C-R0402	SSIR0402A001307	197	\$4,049
276		SSIR0402A001276	219	\$4,049
238	56C-R0402	SSIR0402A001238	254	\$4,049
215		SSIR0402A001215	282	\$4,049
193	56C-R0402	SSIR0402A001193	314	\$4,049
173		SSIR0402A001173	350	\$4,049
154	56C-R0402	SSIR0402A001154	393	\$4,049
137		SSIR0402A001137	442	\$4,049
118	56C-R0402	SSIR0402A001118	513	\$4,049
103		SSIR0402A001103	588	\$4,049
98	56C-R0402	SSIR0402A001098	618	\$4,049
92		SSIR0402A001092	658	\$4,049
77	56C-R0402	SSIR0402A001077	786	\$4,049
64		SSIR0402A001064	946	\$4,049
52	56C-R0402	SSIR0402A001052	1164	\$4,049
46		SSIR0402A001046	1316	\$4,049
40	56C-R0402	SSIR0402A001040	1513	\$4,049
36		SSIR0402A001036	1681	\$4,049
32	56C-R0402	SSIR0402A001032	1892	\$4,049

1.5 Horsepower				
F/L RPM	Double Reduction		Output Torque	List Price
	Frame	Model No.		
900	56C-R0402	SSIR0402AY15900	101	\$4,175
817		SSIR0402AY15817	111	\$4,175
705	56C-R0402	SSIR0402AY15705	129	\$4,175
607		SSIR0402AY15607	150	\$4,175
547	56C-R0402	SSIR0402AY15547	166	\$4,175
493		SSIR0402AY15493	184	\$4,175
442	56C-R0402	SSIR0402AY15442	205	\$4,175
394		SSIR0402AY15394	230	\$4,175
349	56C-R0402	SSIR0402AY15349	260	\$4,175
320		SSIR0402AY15320	284	\$4,175
307	56C-R0402	SSIR0402AY15307	296	\$4,175
276		SSIR0402AY15276	329	\$4,175
238	56C-R0402	SSIR0402AY15238	381	\$4,175
215		SSIR0402AY15215	422	\$4,175
193	56C-R0402	SSIR0402AY15193	470	\$4,175
173		SSIR0402AY15173	525	\$4,175
154	56C-R0402	SSIR0402AY15154	590	\$4,175
137		SSIR0402AY15137	663	\$4,175
118	56C-R0402	SSIR0402AY15118	769	\$4,175
103		SSIR0402AY15103	881	\$4,175
98	56C-R0402	SSIR0402AY15098	926	\$4,175
92		SSIR0402AY15092	987	\$4,175
77	56C-R0402	SSIR0402AY15077	1179	\$4,175
64		SSIR0402AY15064	1419	\$4,175
52	56C-R0602	SSIR0402AY15052	1746	\$4,175
46		SSIR0402AY15046	1974	\$4,175
40	56C-R0602	SSIR0402AY15040	2270	\$4,175
37		SSIR0602AY15037	2454	\$4,620
33	56C-R0602	SSIR0602AY15033	2751	\$4,620

Note: All gearmotors listed are 3 Phase, 60Hz, 208-230/460 Volt, Totally Enclosed Enclosure Output Torque Values are in Inch Pounds

A16

2000HG SELECTION AND PRICING

STERLING
ELECTRIC, INC.Sterli-Seal® All Stainless Steel Washdown Duty - Class I AGMA Rated
Inverter Duty (10:1 Constant Torque)

2.0 Horsepower				
F/L RPM	Double Reduction		Output Torque	List Price
	Frame	Model No.		
900	56C-R0402	SSIR0402A002900	135	\$4,296
817		SSIR0402A002817	148	\$4,296
705	56C-R0402	SSIR0402A002705	172	\$4,296
607		SSIR0402A002607	199	\$4,296
547	56C-R0402	SSIR0402A002547	221	\$4,296
493		SSIR0402A002493	246	\$4,296
442	56C-R0402	SSIR0402A002442	274	\$4,296
394		SSIR0402A002394	307	\$4,296
349	56C-R0402	SSIR0402A002349	347	\$4,296
320		SSIR0402A002320	378	\$4,296
307	56C-R0402	SSIR0402A002307	394	\$4,296
276		SSIR0402A002276	439	\$4,296
238	56C-R0402	SSIR0402A002238	509	\$4,296
215		SSIR0402A002215	563	\$4,296
193	56C-R0402	SSIR0402A002193	627	\$4,296
173		SSIR0402A002173	700	\$4,296
154	56C-R0402	SSIR0402A002154	786	\$4,296
137		SSIR0402A002137	884	\$4,296
118	56C-R0402	SSIR0402A002118	1025	\$4,296
103		SSIR0402A002103	1175	\$4,296
97	56C-R0402	SSIR0402A002097	1248	\$4,296
90	56C-R0602	SSIR0602A002090	1345	\$4,724
77	56C-R0402	SSIR0402A002077	1572	\$4,296
64		SSIR0402A002064	1891	\$4,296
52	56C-R0402	SSIR0402A002052	2328	\$4,296
50	56C-R0602	SSIR0602A002050	2421	\$4,724
41		SSIR0602A002041	2953	\$4,724
37	56C-R0602	SSIR0602A002037	3271	\$4,724
33		SSIR0602A002033	3668	\$4,724

3 Horsepower				
F/L RPM	Double Reduction		Output Torque	List Price
	Frame	Model No.		
900	182TC-R0402	SSIR0402A003900	202	\$4,776
817		SSIR0402A003817	222	\$4,776
705	182TC-R0402	SSIR0402A003705	258	\$4,776
607		SSIR0402A003607	299	\$4,776
547	182TC-R0402	SSIR0402A003547	332	\$4,776
493		SSIR0402A003493	368	\$4,776
442	182TC-R0402	SSIR0402A003442	411	\$4,776
394		SSIR0402A003394	461	\$4,776
349	182TC-R0402	SSIR0402A003349	520	\$4,776
320		SSIR0402A003320	567	\$4,776
307	182TC-R0402	SSIR0402A003307	591	\$4,776
276		SSIR0402A003276	658	\$4,776
238	182TC-R0402	SSIR0402A003238	763	\$4,776
215		SSIR0402A003215	845	\$4,776
193	182TC-R0402	SSIR0402A003193	941	\$4,776
173		SSIR0402A003173	1050	\$4,776
154	182TC-R0402	SSIR0402A003154	1179	\$4,776
137		SSIR0402A003137	1325	\$4,776
123	182TC-R0602	SSIR0602A003123	1476	\$5,596
100		SSIR0602A003100	1816	\$5,596
98	182TC-R0602	SSIR0602A003098	1853	\$5,596
90		SSIR0602A003090	2018	\$5,596
81	182TC-R0602	SSIR0602A003081	2242	\$5,596
65		SSIR0602A003065	2794	\$5,596
55	182TC-R0602	SSIR0602A003055	3302	\$5,596
50		SSIR0602A003050	3632	\$5,596
41	182TC-R0602	SSIR0602A003041	4429	\$5,596
35	182TC-R0702	SSIR0702A003035	5188	\$9,698
31		SSIR0702A003031	5858	\$9,698

5 Horsepower				
F/L RPM	Double Reduction		Output Torque	List Price
	Frame	Model No.		
900	184TC-R0402	SSIR0402A005900	336	\$5,135
817		SSIR0402A005817	370	\$5,135
705	184TC-R0402	SSIR0402A005705	429	\$5,135
607		SSIR0402A005607	499	\$5,135
547	184TC-R0402	SSIR0402A005547	553	\$5,135
493		SSIR0402A005493	614	\$5,135
442	184TC-R0402	SSIR0402A005442	685	\$5,135
394		SSIR0402A005394	768	\$5,135
349	184TC-R0402	SSIR0402A005349	867	\$5,135
320		SSIR0402A005320	946	\$5,135
307	184TC-R0402	SSIR0402A005307	986	\$5,135
276		SSIR0402A005276	1097	\$5,135
238	184TC-R0402	SSIR0402A005238	1272	\$5,135
215		SSIR0402A005215	1408	\$5,135
193	184TC-R0402	SSIR0402A005193	1568	\$5,135
173		SSIR0402A005173	1749	\$5,135
156	184TC-R0602	SSIR0602A005156	1940	\$6,042
142		SSIR0602A005142	2131	\$6,042
123	184TC-R0602	SSIR0602A005123	2460	\$6,042
106	184TC-R0702	SSIR0702A005106	2855	\$9,929
100		SSIR0702A005100	3026	\$9,929
89	184TC-R0702	SSIR0702A005089	3400	\$9,929
78		SSIR0702A005078	3880	\$9,929
63	184TC-R0702	SSIR0702A005063	4804	\$9,929
53		SSIR0702A005053	5710	\$9,929
49	184TC-R0702	SSIR0702A005049	6176	\$9,929

7.5 Horsepower				
F/L RPM	Double Reduction		Output Torque	List Price
	Frame	Model No.		
860	213TC-R0602	SSIR0602AY75860	528	\$7,371
768		SSIR0602AY75768	591	\$7,371
684	213TC-R0602	SSIR0602AY75684	664	\$7,371
608		SSIR0602AY75608	747	\$7,371
539	213TC-R0602	SSIR0602AY75539	799	\$7,371
475		SSIR0602AY75475	956	\$7,371
436	213TC-R0602	SSIR0602AY75436	1041	\$7,371
381		SSIR0602AY75381	1191	\$7,371
346	213TC-R0602	SSIR0602AY75346	1312	\$7,371
315		SSIR0602AY75315	1441	\$7,371
298	213TC-R0602	SSIR0602AY75298	1523	\$7,371
280		SSIR0602AY75280	1621	\$7,371
249	213TC-R0602	SSIR0602AY75249	1823	\$7,371
221		SSIR0602AY75221	2054	\$7,371
195	213TC-R0602	SSIR0602AY75195	2328	\$7,371
179		SSIR0602AY75179	2536	\$7,371
156	213TC-R0602	SSIR0602AY75156	2910	\$7,371
142		SSIR0602AY75142	3197	\$7,371
125	213TC-R0702	SSIR0702AY75125	3632	\$10,941
106		SSIR0702AY75106	4283	\$10,941
100	213TC-R0702	SSIR0702AY75100	4540	\$10,941
89		SSIR0702AY75089	5101	\$10,941
78	213TC-R0702	SSIR0702AY75078	5820	\$10,941

Note: All gearmotors listed are 3 Phase, 60Hz, 208-230/460 Volt, Totally Enclosed Enclosure Output Torque Values are in Inch Pounds

STERLING ELECTRIC, INC.	2000HG SELECTION AND PRICING	A17
------------------------------------	-------------------------------------	------------

**Sterli-Seal® All Stainless Steel Washdown Duty - Class I AGMA Rated
Inverter Duty (10:1 Constant Torque)**

10 Horsepower				
F/L RPM	Double Reduction		Output Torque	List Price
	Frame	Model No.		
860	215TC-R0602	SSIR0602A010860	704	\$7,889
768		SSIR0602A010768	788	\$7,889
684	215TC-R0602	SSIR0602A010684	885	\$7,889
608		SSIR0602A010608	996	\$7,889
539	215TC-R0602	SSIR0602A010539	1066	\$7,889
475		SSIR0602A010475	1274	\$7,889
436	215TC-R0602	SSIR0602A010436	1388	\$7,889
381		SSIR0602A010381	1589	\$7,889
346	215TC-R0602	SSIR0602A010346	1749	\$7,889
315		SSIR0602A010315	1922	\$7,889
298	215TC-R0602	SSIR0602A010298	2031	\$7,889
280		SSIR0602A010280	2162	\$7,889
249	215TC-R0602	SSIR0602A010249	2431	\$7,889
221		SSIR0602A010221	2739	\$7,889
195	215TC-R0702	SSIR0602A010195	3104	\$7,889
178		SSIR0602A010178	3400	\$7,889
157	215TC-R0702	SSIR0702A010157	3855	\$11,269
137		SSIR0702A010137	4418	\$11,269
125	215TC-R0702	SSIR0702A010125	5044	\$11,269
106		SSIR0702A010106	5948	\$11,269
100	215TC-R0702	SSIR0702A010100	6053	\$11,269

15 Horsepower				
F/L RPM	Double Reduction		Output Torque	List Price
	Frame	Model No.		
902	254TC-R0702	SSIR0702A015902	1007	\$13,630
719		SSIR0702A015719	1263	\$13,630
640	254TC-R0702	SSIR0702A015640	1419	\$13,630
568		SSIR0702A015568	1598	\$13,630
502	254TC-R0702	SSIR0702A015502	1809	\$13,630
461		SSIR0702A015461	1969	\$13,630
404	254TC-R0702	SSIR0702A015404	2247	\$13,630
351		SSIR0702A015351	2587	\$13,630
314	254TC-R0702	SSIR0702A015314	2855	\$13,630
280		SSIR0702A015280	3243	\$13,630
249	254TC-R0702	SSIR0702A015249	3646	\$13,630
221		SSIR0702A015221	4108	\$13,630
195	254TC-R0702	SSIR0702A015195	4656	\$13,630
180		SSIR0702A015180	5044	\$13,630

20 Horsepower				
F/L RPM	Double Reduction		Output Torque	List Price
	Frame	Model No.		
902	254TC-R0702	SSIR0702A020902	1342	\$14,131
719		SSIR0702A020719	1684	\$14,131
640	254TC-R0702	SSIR0702A020640	1892	\$14,131
568		SSIR0702A020568	2131	\$14,131
502	254TC-R0702	SSIR0702A020502	2411	\$14,131
461		SSIR0702A020461	2626	\$14,131
404	254TC-R0702	SSIR0702A020404	2996	\$14,131
351		SSIR0702A020351	3449	\$14,131
318	254TC-R0702	SSIR0702A020318	3855	\$14,131
280		SSIR0702A020280	4323	\$14,131

Note: All gearmotors listed are 3 Phase, 60Hz, 208-230/460 Volt, Totally Enclosed Enclosure Output Torque Values are in Inch Pounds

A18	2000HG SELECTION AND PRICING	STERLING ELECTRIC, INC.
------------	-------------------------------------	------------------------------------

Explosion Proof – Class I Group “D”, Class II Group “F&G”
AGMA CLASS I Rated Gearing
(Non-Inverter Rated - For Inverter Operation Refer to Factory for Selection and Pricing)

.33 Horsepower				
F/L RPM	Double Reduction		Output Torque	List Price
	Frame	Model No.		
900	56C-R0402	ER0402AY03900	22	\$1,987
817		ER0402AY03817	24	\$1,987
705	56C-R0402	ER0402AY03705	28	\$1,987
607		ER0402AY03607	33	\$1,987
547	56C-R0402	ER0402AY03547	37	\$1,987
493		ER0402AY03493	41	\$1,987
442	56C-R0402	ER0402AY03442	45	\$1,987
394		ER0402AY03394	51	\$1,987
349	56C-R0402	ER0402AY03349	57	\$1,987
320		ER0402AY03320	62	\$1,987
307	56C-R0402	ER0402AY03307	65	\$1,987
276		ER0402AY03276	72	\$1,987
238	56C-R0402	ER0402AY03238	84	\$1,987
215		ER0402AY03215	93	\$1,987
193	56C-R0402	ER0402AY03193	103	\$1,987
173		ER0402AY03173	115	\$1,987
154	56C-R0402	ER0402AY03154	130	\$1,987
137		ER0402AY03137	146	\$1,987
118	56C-R0402	ER0402AY03118	169	\$1,987
103		ER0402AY03103	194	\$1,987
98	56C-R0402	ER0402AY03098	204	\$1,987
92		ER0402AY03092	217	\$1,987
77	56C-R0402	ER0402AY03077	259	\$1,987
64		ER0402AY03064	312	\$1,987
52	56C-R0402	ER0402AY03052	384	\$1,987
46		ER0402AY03046	434	\$1,987
40	56C-R0402	ER0402AY03040	499	\$1,987
36		ER0402AY03036	555	\$1,987

.50 Horsepower				
F/L RPM	Double Reduction		Output Torque	List Price
	Frame	Model No.		
900	56C-R0402	ER0402AY05900	34	\$2,040
817		ER0402AY05817	37	\$2,040
705	56C-R0402	ER0402AY05705	43	\$2,040
607		ER0402AY05607	50	\$2,040
547	56C-R0402	ER0402AY05547	55	\$2,040
493		ER0402AY05493	61	\$2,040
442	56C-R0402	ER0402AY05442	68	\$2,040
394		ER0402AY05394	77	\$2,040
349	56C-R0402	ER0402AY05349	87	\$2,040
320		ER0402AY05320	95	\$2,040
307	56C-R0402	ER0402AY05307	99	\$2,040
276		ER0402AY05276	110	\$2,040
238	56C-R0402	ER0402AY05238	127	\$2,040
215		ER0402AY05215	141	\$2,040
193	56C-R0402	ER0402AY05193	157	\$2,040
173		ER0402AY05173	175	\$2,040
154	56C-R0402	ER0402AY05154	197	\$2,040
137		ER0402AY05137	221	\$2,040
118	56C-R0402	ER0402AY05118	256	\$2,040
103		ER0402AY05103	294	\$2,040
98	56C-R0402	ER0402AY05098	309	\$2,040
92		ER0402AY05092	329	\$2,040
77	56C-R0402	ER0402AY05077	393	\$2,040
64		ER0402AY05064	473	\$2,040
52	56C-R0402	ER0402AY05052	582	\$2,040
46		ER0402AY05046	658	\$2,040
40	56C-R0402	ER0402AY05040	757	\$2,040
36		ER0402AY05036	841	\$2,040

.75 Horsepower				
F/L RPM	Double Reduction		Output Torque	List Price
	Frame	Model No.		
900	56C-R0402	ER0402AY07900	50	\$2,058
817		ER0402AY07817	56	\$2,058
705	56C-R0402	ER0402AY07705	64	\$2,058
607		ER0402AY07607	75	\$2,058
547	56C-R0402	ER0402AY07547	83	\$2,058
493		ER0402AY07493	92	\$2,058
442	56C-R0402	ER0402AY07442	103	\$2,058
394		ER0402AY07394	115	\$2,058
349	56C-R0402	ER0402AY07349	130	\$2,058
320		ER0402AY07320	142	\$2,058
307	56C-R0402	ER0402AY07307	148	\$2,058
276		ER0402AY07276	164	\$2,058
238	56C-R0402	ER0402AY07238	191	\$2,058
215		ER0402AY07215	211	\$2,058
193	56C-R0402	ER0402AY07193	235	\$2,058
173		ER0402AY07173	262	\$2,058
154	56C-R0402	ER0402AY07154	295	\$2,058
137		ER0402AY07137	331	\$2,058
118	56C-R0402	ER0402AY07118	385	\$2,058
103		ER0402AY07103	441	\$2,058
98	56C-R0402	ER0402AY07098	463	\$2,058
92		ER0402AY07092	493	\$2,058
77	56C-R0402	ER0402AY07077	590	\$2,058
64		ER0402AY07064	709	\$2,058
52	56C-R0402	ER0402AY07052	873	\$2,058
46		ER0402AY07046	987	\$2,058
40	56C-R0402	ER0402AY07040	1135	\$2,058
36		ER0402AY07036	1261	\$2,058

1 Horsepower				
F/L RPM	Double Reduction		Output Torque	List Price
	Frame	Model No.		
900	56C-R0402	ER0402A001900	67	\$2,108
817		ER0402A001817	74	\$2,108
705	56C-R0402	ER0402A001705	86	\$2,108
607		ER0402A001607	100	\$2,108
547	56C-R0402	ER0402A001547	111	\$2,108
493		ER0402A001493	123	\$2,108
442	56C-R0402	ER0402A001442	137	\$2,108
394		ER0402A001394	154	\$2,108
349	56C-R0402	ER0402A001349	173	\$2,108
320		ER0402A001320	189	\$2,108
307	56C-R0402	ER0402A001307	197	\$2,108
276		ER0402A001276	219	\$2,108
238	56C-R0402	ER0402A001238	254	\$2,108
215		ER0402A001215	282	\$2,108
193	56C-R0402	ER0402A001193	314	\$2,108
173		ER0402A001173	350	\$2,108
154	56C-R0402	ER0402A001154	393	\$2,108
137		ER0402A001137	442	\$2,108
118	56C-R0402	ER0402A001118	513	\$2,108
103		ER0402A001103	588	\$2,108
98	56C-R0402	ER0402A001098	618	\$2,108
92		ER0402A001092	658	\$2,108
77	56C-R0402	ER0402A001077	786	\$2,108
64		ER0402A001064	946	\$2,108
52	56C-R0402	ER0402A001052	1164	\$2,108
46		ER0402A001046	1316	\$2,108
40	56C-R0402	ER0402A001040	1513	\$2,108
36		ER0402A001036	1681	\$2,108

Note: All gearmotors listed are 3 Phase, 60Hz, 208-230/460 Volt, Totally Enclosed Enclosure Output Torque Values are in Inch Pounds

STERLING ELECTRIC, INC.	2000HG SELECTION AND PRICING	A19
------------------------------------	-------------------------------------	------------

Explosion Proof – Class I Group “D”, Class II Group “F&G”
AGMA CLASS I Rated Gearing
(Non-Inverter Rated - For Inverter Operation Refer to Factory for Selection and Pricing)

1.5 Horsepower				
F/L RPM	Double Reduction		Output Torque	List Price
	Frame	Model No.		
900	56C-R0402	ER0402AY15900	101	\$2,191
817		ER0402AY15817	111	\$2,191
705	56C-R0402	ER0402AY15705	129	\$2,191
607		ER0402AY15607	150	\$2,191
547	56C-R0402	ER0402AY15557	166	\$2,191
493		ER0402AY15493	184	\$2,191
442	56C-R0402	ER0402AY15442	205	\$2,191
394		ER0402AY15394	230	\$2,191
349	56C-R0402	ER0402AY15349	260	\$2,191
320		ER0402AY15320	284	\$2,191
307	56C-R0402	ER0402AY15307	296	\$2,191
276		ER0402AY15276	329	\$2,191
238	56C-R0402	ER0402AY15238	381	\$2,191
215		ER0402AY15215	422	\$2,191
193	56C-R0402	ER0402AY15193	470	\$2,191
173		ER0402AY15173	525	\$2,191
154	56C-R0402	ER0402AY15154	590	\$2,191
137		ER0402AY15137	663	\$2,191
118	56C-R0402	ER0402AY15118	769	\$2,191
103		ER0402AY15103	881	\$2,191
98	56C-R0402	ER0402AY15098	926	\$2,191
92		ER0402AY15092	987	\$2,191
77	56C-R0402	ER0402AY15077	1179	\$2,191
64		ER0402AY15064	1419	\$2,191
52	56C-R0402	ER0402AY15052	1746	\$2,191
46		ER0402AY15046	1974	\$2,191
40	56C-R0402	ER0402AY15040	2270	\$2,191
37		ER0602AY15037	2454	\$2,461
33	56C-R0602	ER0602AY15033	2751	\$2,461

2 Horsepower				
F/L RPM	Double Reduction		Output Torque	List Price
	Frame	Model No.		
900	56C-R0402	ER0402A002900	135	\$2,284
817		ER0402A002817	148	\$2,284
705	56C-R0402	ER0402A002705	172	\$2,284
607		ER0402A002607	199	\$2,284
547	56C-R0402	ER0402A002547	221	\$2,284
493		ER0402A002493	246	\$2,284
442	56C-R0402	ER0402A002442	274	\$2,284
394		ER0402A002394	307	\$2,284
349	56C-R0402	ER0402A002349	347	\$2,284
320		ER0402A002320	378	\$2,284
307	56C-R0402	ER0402A002307	394	\$2,284
276		ER0402A002276	439	\$2,284
238	56C-R0402	ER0402A002238	509	\$2,284
215		ER0402A002215	563	\$2,284
193	56C-R0402	ER0402A002193	627	\$2,284
173		ER0402A002173	700	\$2,284
154	56C-R0402	ER0402A002154	786	\$2,284
137		ER0402A002137	884	\$2,284
118	56C-R0402	ER0402A002118	1025	\$2,284
103		ER0402A002103	1175	\$2,284
97	56C-R0402	ER0402A002097	1248	\$2,284
90	56C-R0602	ER0602A002090	1345	\$2,488
77	56C-R0402	ER0402A002077	1572	\$2,284
64		ER0402A002064	1891	\$2,284
52	56C-R0402	ER0402A002052	2328	\$2,284
50	56C-R0602	ER0602A002050	2421	\$2,488
41		ER0602A002041	2953	\$2,488
37	56C-R0602	ER0602A002037	3271	\$2,488
33		ER0602A002033	3668	\$2,488

3 Horsepower				
F/L RPM	Double Reduction		Output Torque	List Price
	Frame	Model No.		
900	182TC-R0402	ER0402A003900	202	\$2,635
817		ER0402A003817	222	\$2,635
705	182TC-R0402	ER0402A003705	258	\$2,635
607		ER0402A003607	299	\$2,635
547	182TC-R0402	ER0402A003547	332	\$2,635
493		ER0402A003493	368	\$2,635
442	182TC-R0402	ER0402A003442	411	\$2,635
394		ER0402A003394	461	\$2,635
349	182TC-R0402	ER0402A003349	520	\$2,635
320		ER0402A003320	567	\$2,635
307	182TC-R0402	ER0402A003307	591	\$2,635
276		ER0402A003276	658	\$2,635
238	182TC-R0402	ER0402A003238	763	\$2,635
215		ER0402A003215	845	\$2,635
193	182TC-R0402	ER0402A003193	941	\$2,635
173		ER0402A003173	1050	\$2,635
154	182TC-R0402	ER0402A003154	1179	\$2,635
137		ER0402A003137	1325	\$2,635
123	182TC-R0602	ER0602A003123	1476	\$2,839
100		ER0602A003100	1816	\$2,839
98	182TC-R0602	ER0602A003098	1853	\$2,839
90		ER0602A003090	2018	\$2,839
81	182TC-R0602	ER0602A003081	2242	\$2,839
65		ER0602A003065	2794	\$2,839
55	182TC-R0602	ER0602A003055	3302	\$2,839
50		ER0602A003050	3632	\$2,839
41	182TC-R0602	ER0602A003041	4429	\$2,839
35	182TC-R0702	ER0702A003035	5188	\$3,561
31		ER0702A003031	5858	\$3,561

5 Horsepower				
F/L RPM	Double Reduction		Output Torque	List Price
	Frame	Model No.		
900	184TC-R0402	ER0402A005900	336	\$2,982
817		ER0402A005817	370	\$2,982
705	184TC-R0402	ER0402A005705	429	\$2,982
607		ER0402A005607	499	\$2,982
547	184TC-R0402	ER0402A005547	553	\$2,982
493		ER0402A005493	614	\$2,982
442	184TC-R0402	ER0402A005442	685	\$2,982
394		ER0402A005394	768	\$2,982
349	184TC-R0402	ER0402A005349	867	\$2,982
320		ER0402A005320	946	\$2,982
307	184TC-R0402	ER0402A005307	986	\$2,982
276		ER0402A005276	1097	\$2,982
238	184TC-R0402	ER0402A005238	1272	\$2,982
215		ER0402A005215	1408	\$2,982
193	184TC-R0402	ER0402A005193	1568	\$2,982
173		ER0402A005173	1749	\$2,982
156	184TC-R0602	ER0602A005156	1940	\$3,186
142		ER0602A005142	2131	\$3,186
123	184TC-R0602	ER0602A005123	2460	\$3,186
106	184TC-R0702	ER0702A005106	2855	\$3,908
100		ER0702A005100	3026	\$3,908
89	184TC-R0702	ER0702A005089	3400	\$3,908
78		ER0702A005078	3880	\$3,908
63	184TC-R0702	ER0702A005063	4804	\$3,908
53		ER0702A005053	5710	\$3,908
49	184TC-R0702	ER0702A005049	6176	\$3,908
39	184TC-G0802	EG0802A005039	7760	\$4,900
36		EG0802A005036	8407	\$4,900
31	184TC-G0802	EG0802A005031	9763	\$4,900

Note: All gearmotors listed are 3 Phase, 60Hz, 208-230/460 Volt, Totally Enclosed Enclosure Output Torque Values are in Inch Pounds

A20	2000HG SELECTION AND PRICING	STERLING ELECTRIC, INC.
------------	-------------------------------------	------------------------------------

Explosion Proof – Class I Group “D”, Class II Group “F&G”
AGMA CLASS I Rated Gearing
(Non-Inverter Rated - For Inverter Operation Refer to Factory for Selection and Pricing)

7.5 Horsepower					
F/L RPM	Double Reduction		Output Torque	List Price	
	Frame	Model No.			
860	213TC-R0602	ER0602AY75860	528	\$3,641	
768		ER0602AY75768	591	\$3,641	
684		ER0602AY75684	664	\$3,641	
608		ER0602AY75608	747	\$3,641	
539	213TC-R0602	ER0602AY75539	799	\$3,641	
475		ER0602AY75475	956	\$3,641	
436		ER0602AY75436	1041	\$3,641	
381		ER0602AY75381	1191	\$3,641	
346	213TC-R0602	ER0602AY75346	1312	\$3,641	
315		ER0602AY75315	1441	\$3,641	
298		ER0602AY75298	1523	\$3,641	
280		ER0602AY75280	1621	\$3,641	
249	213TC-R0602	ER0602AY75249	1823	\$3,641	
221		ER0602AY75221	2054	\$3,641	
195		ER0602AY75195	2328	\$3,641	
179		ER0602AY75179	2536	\$3,641	
156	213TC-R0602	ER0602AY75156	2910	\$3,641	
142		ER0602AY75142	3197	\$3,641	
125		213TC-R0702	ER0702AY75125	3632	\$4,859
106			ER0702AY75106	4283	\$4,859
100	ER0702AY75100		4540	\$4,859	
89	ER0702AY75089		5101	\$4,859	
78	213TC-R0702	RE0702AY75078	5820	\$4,859	
62		213TC-G0802	EG0802AY75062	7322	\$5,207
53			EG0802AY75053	8565	\$5,207
48			EG0802AY75048	9458	\$5,207
39	EG0802AY75039		11640	\$5,207	
36	213TC-H0902	EG0802AY75036	12610	\$5,207	
29		EH0902AY75029	15654	\$7,043	

10 Horsepower					
F/L RPM	Double Reduction		Output Torque	List Price	
	Frame	Model No.			
860	215TC-R0602	ER0602A010860	704	\$4,121	
768		ER0602A010768	788	\$4,121	
684		ER0602A010684	885	\$4,121	
608		ER0602A010608	996	\$4,121	
539	215TC-R0602	ER0602A010539	1066	\$4,121	
475		ER0602A010475	1274	\$4,121	
436		ER0602A010436	1388	\$4,121	
381		ER0602A010381	1589	\$4,121	
346	215TC-R0602	ER0602A010346	1749	\$4,121	
315		ER0602A010315	1922	\$4,121	
298		ER0602A010298	2031	\$4,121	
280		ER0602A010280	2162	\$4,121	
249	215TC-R0602	ER0602A010249	2431	\$4,121	
221		ER0602A010221	2739	\$4,121	
195		ER0602A010195	3104	\$4,121	
178		ER0602A010178	3400	\$4,121	
157	215TC-R0702	ER0702A010157	3855	\$5,339	
137		ER0702A010137	4418	\$5,339	
125		ER0702A010125	5044	\$5,339	
106		ER0702A010106	5948	\$5,339	
100	215TC-R0702	ER0702A010100	6053	\$5,339	
84		215TC-G0802	EG0802A010084	7206	\$5,687
75			EG0802A010075	8070	\$5,687
62			EG0802A010062	9763	\$5,687
53	EG0802A010053		11420	\$5,687	
48	215TC-G0802	EG0802A010048	12610	\$5,687	
39		215TC-H0902	EH0902A010039	15520	\$7,523
36			EH0902A010036	16813	\$7,523
32			EH0902A010032	18915	\$7,523

15 Horsepower					
F/L RPM	Double Reduction		Output Torque	List Price	
	Frame	Model No.			
902	254TC-R0702	ER0702A015902	1007	\$7,649	
719		ER0702A015719	1263	\$7,649	
640		ER0702A015640	1419	\$7,649	
568		ER0702A015568	1598	\$7,649	
502	254TC-R0702	ER0702A015502	1809	\$7,649	
461		ER0702A015461	1969	\$7,649	
404		ER0702A015404	2247	\$7,649	
351		ER0702A015351	2587	\$7,649	
318	254TC-R0702	ER0702A015318	2855	\$7,649	
280		ER0702A015280	3243	\$7,649	
249		ER0702A015249	3646	\$7,649	
221		ER0702A015221	4108	\$7,649	
195	254TC-R0702	ER0702A015195	4656	\$7,649	
180		ER0702A015180	5044	\$7,649	
153		254TC-G0802	EG0802A015153	5934	\$7,813
135			EG0802A015135	6725	\$7,813
116	EG0802A015116		7827	\$7,813	
105	EG0802A015105		8647	\$7,813	
96	254TC-G0802	EG0802A015096	9458	\$7,813	
85		EG0802A015085	10681	\$7,813	
75		EG0802A015075	12106	\$7,813	
61		254TC-H0902	EH0902A015061	14884	\$10,553
54	EH0902A015054		16813	\$10,553	
49	EH0902A015049		18529	\$10,553	
41	254TC-H1002		EH1002A015041	22144	\$12,913
37		EH1002A015037	24538	\$12,913	
34		EH1002A015034	26704	\$12,913	

20 Horsepower					
F/L RPM	Double Reduction		Output Torque	List Price	
	Frame	Model No.			
902	256TC-R0702	ER0702A020902	1342	\$8,401	
719		ER0702A020719	1684	\$8,401	
640		ER0702A020640	1892	\$8,401	
568		ER0702A020568	2131	\$8,401	
502	256TC-R0702	ER0702A020502	2411	\$8,401	
461		ER0702A020461	2626	\$8,401	
404		ER0702A020404	2996	\$8,401	
351		ER0702A020351	3449	\$8,401	
314	256TC-R0702	ER0702A020314	3855	\$8,401	
280		ER0702A020280	4323	\$8,401	
210		256TC-G0802	EG0802A020210	5765	\$8,565
187			EG0802A020187	6474	\$8,565
153	EG0802A020153		7912	\$8,565	
135	EG0802A020135		8967	\$8,565	
116	256TC-G0802	EG0802A020116	10436	\$8,565	
105		EG0802A020105	11529	\$8,565	
94		256TC-H0902	EH0902A020094	12878	\$11,305
84			EH0902A020084	14411	\$11,305
76	EH0902A020076		15928	\$11,305	
67	EH0902A020067		18068	\$11,305	
60	256TC-H0902	EH0902A020060	20176	\$11,305	
56		256TC-H1002	EH1002A020056	21617	\$13,665
49			EH1002A020049	24705	\$13,665
47			EH1002A020047	25757	\$13,665
40	EH1002A020040		30264	\$13,665	
36	256TC-H1002	EH1002A020036	33627	\$13,665	
33		EH1302A020033	36684	\$18,061	

Note: All gearmotors listed are 3 Phase, 60Hz, 208-230/460 Volt, Totally Enclosed Enclosure Output Torque Values are in Inch Pounds

STERLING ELECTRIC, INC.	2000HG SELECTION AND PRICING	A21
------------------------------------	-------------------------------------	------------

Explosion Proof – Class I Group “D”, Class II Group “F&G”
AGMA CLASS I Rated Gearing
(Non-Inverter Rated - For Inverter Operation Refer to Factory for Selection and Pricing)

25 Horsepower				
F/L RPM	Double Reduction		Output Torque	List Price
	Frame	Model No.		
859	284TC-H0902	EH0902A025859	1762	\$13,564
766		EH0902A025766	1975	\$13,564
683	284TC-H0902	EH0902A025683	2216	\$13,564
589		EH0902A025589	2569	\$13,564
530	284TC-H0902	EH0902A025530	2855	\$13,564
475	284TC-G0802	EG0802A025475	3186	\$10,824
335		EG0802A025335	4517	\$10,824
302	284TC-G0802	EG0802A025302	5011	\$10,824
271		EG0802A025271	5584	\$10,824
210	284TC-G0802	EG0802A025210	7206	\$10,824
187		EG0802A025187	8092	\$10,824
152		EG0802A025152	9955	\$10,824
137	284TC-H0902	EH0902A025137	11045	\$13,564
120		EH0902A025120	12610	\$13,564
105	284TC-H0902	EH0902A025105	14411	\$13,564
94		EH0902A025094	16098	\$13,564
84	284TC-H0902	EH0902A025084	18014	\$13,564
76		EH0902A025076	19911	\$13,564
67	284TC-H1002	EH1002A025067	22585	\$14,968
58		EH1002A025058	26090	\$14,968
56	284TC-H1002	EH1002A025056	27021	\$14,968
49		EH1002A025049	30882	\$14,968
47	284TC-H1002	EH1002A025047	32196	\$14,968
40	284TC-H1302	EH1302A025040	37830	\$19,314
35		EH1302A025035	43234	\$19,314
33	284TC-H1302	EH1302A025033	45855	\$19,314
29		EH1302A025029	52179	\$19,314
27	284TC-H1302	EH1302A025027	56044	\$19,314

30 Horsepower				
F/L RPM	Double Reduction		Output Torque	List Price
	Frame	Model No.		
859	286TC-H0902	EH0902A030859	2114	\$14,509
766		EH0902A030766	2371	\$14,509
683	286TC-H0902	EH0902A030683	2659	\$14,509
589		EH0902A030589	3083	\$14,509
530	286TC-H0902	EH0902A030530	3426	\$14,509
474	286TC-H0902	EH0902A030474	3831	\$14,509
428		EH0902A030428	4243	\$14,509
381	286TC-H0902	EH0902A030381	4766	\$14,509
344		EH0902A030344	5279	\$14,509
307	286TC-H0902	EH0902A030307	5915	\$14,509
264		EH0902A030264	6878	\$14,509
236	286TC-H0902	EH0902A030236	7694	\$14,509
212		EH0902A030212	8565	\$14,509
190	286TC-H0902	EH0902A030190	9557	\$14,509
170		EH0902A030170	10681	\$14,509
149	286TC-H0902	EH0902A030149	12187	\$14,509
137		EH0902A030137	13254	\$14,509
120	286TC-H0902	EH0902A030120	15132	\$14,509
105		EH0902A030105	17294	\$14,509
95	286TC-H1002	EH1002A030095	19114	\$15,913
90		EH1002A030090	20176	\$15,913
81	286TC-H1002	EH1002A030081	22418	\$15,913
67		EH1002A030067	27102	\$15,913
58	286TC-H1002	EH1002A030058	31308	\$15,913
56		EH1002A030056	32426	\$15,913
49		EH1002A030049	37058	\$15,913
44	286TC-H1302	EH1302A030044	41269	\$20,259
40		EH1302A030040	45396	\$20,259

40 Horsepower				
F/L RPM	Double Reduction		Output Torque	List Price
	Frame	Model No.		
859	324TC-H0902	EH0902A040859	2819	\$17,916
766		EH0902A040766	3161	\$17,916
683	324TC-H0902	EH0902A040683	3545	\$17,916
589		EH0902A040589	4111	\$17,916
530	324TC-H0902	EH0902A040530	4568	\$17,916
474		EH0902A040474	5108	\$17,916
428	324TC-H0902	EH0902A040428	5657	\$17,916
381		EH0902A040381	6355	\$17,916
344	324TC-H0902	EH0902A040344	7038	\$17,916
307		EH0902A040307	7886	\$17,916
264	324TC-H0902	EH0902A040264	9171	\$17,916
236		EH0902A040236	10259	\$17,916
212	324TC-H0902	EH0902A040220	11420	\$17,916
190		EH0902A040204	12742	\$17,916
170	324TC-H0902	EH0902A040165	14242	\$17,916
149		EH0902A040146	16249	\$17,916
137	324TC-H0902	EH0902A040139	17672	\$17,916
120		EH0902A040123	20176	\$17,916
106	324TC-H1002	EH1002A040106	22841	\$20,312
95		EH1002A040095	25485	\$20,312
90	324TC-H1002	EH1002A040090	26901	\$20,312
81		EH1002A040081	29890	\$20,312
68	324TC-H1302	EH1302A040068	35605	\$24,656
61		EH1302A040061	39690	\$24,656
54	324TC-H1402	EH1402A040054	44836	\$24,656
49		EH1402A040049	49411	\$24,656
44	324TC-H1402	EH1402A040044	55025	\$24,656

50 Horsepower				
F/L RPM	Double Reduction		Output Torque	List Price
	Frame	Model No.		
859	326TC-H0902	EH0902A050859	3523	\$19,262
766		EH0902A050766	3951	\$19,262
683	326TC-H0902	EH0902A050683	4431	\$19,262
589		EH0902A050589	5138	\$19,262
530	326TC-H0902	EH0902A050530	5710	\$19,262
474		EH0902A050474	6385	\$19,262
428	326TC-H0902	EH0902A050428	7071	\$19,262
381		EH0902A050381	7943	\$19,262
344	326TC-H0902	EH0902A050344	8798	\$19,262
307		EH0902A050307	9858	\$19,262
264	326TC-H0902	EH0902A050264	11464	\$19,262
236		EH0902A050236	12824	\$19,262
212	326TC-H0902	EH0902A050212	14275	\$19,262
190		EH0902A050190	15928	\$19,262
165	326TC-H1002	EH1002A050165	18342	\$21,658
146		EH1002A050146	20729	\$21,658
139	326TC-H1002	EH1002A050139	21773	\$21,658
123		EH1002A050123	24605	\$21,658
106	326TC-H1002	EH1002A050106	28551	\$21,658
95		EH1002A050095	31857	\$21,658
90	326TC-H1002	EH1002A050090	33627	\$21,658
81		EH1002A050081	37363	\$21,658
61	326TC-H1302	EH1302A050061	49613	\$26,002
54		EH1302A050054	56044	\$26,002

Note: All gearmotors listed are 3 Phase, 60Hz, 208-230/460 Volt, Totally Enclosed Enclosure Output Torque Values are in Inch Pounds

A22

2000HG SELECTION AND PRICING

STERLING
ELECTRIC, INC.

Premium Efficient (Inverter Rated) – AGMA Class I Rated

1 Horsepower

F/L RPM	Double Reduction		Output Torque	List Price
	Frame	Model No.		
900	143TC-R0402	PR0402A001900	67	\$1,478
817		PR0402A001817	74	\$1,478
705	143TC-R0402	PR0402A001705	86	\$1,478
607		PR0402A001607	100	\$1,478
547	143TC-R0402	PR0402A001547	111	\$1,478
493		PR0402A001493	123	\$1,478
442	143TC-R0402	PR0402A001442	137	\$1,478
394		PR0402A001394	154	\$1,478
349	143TC-R0402	PR0402A001349	173	\$1,478
320		PR0402A001320	189	\$1,478
307	143TC-R0402	PR0402A001307	197	\$1,478
276		PR0402A001276	219	\$1,478
238	143TC-R0402	PR0402A001238	254	\$1,478
215		PR0402A001215	282	\$1,478
193	143TC-R0402	PR0402A001193	314	\$1,478
173		PR0402A001173	350	\$1,478
154	143TC-R0402	PR0402A001154	393	\$1,478
137		PR0402A001137	442	\$1,478
118	143TC-R0402	PR0402A001118	513	\$1,478
103		PR0402A001103	588	\$1,478
98	143TC-R0402	PR0402A001098	618	\$1,478
92		PR0402A001092	658	\$1,478
77	143TC-R0402	PR0402A001077	786	\$1,478
64		PR0402A001064	946	\$1,478
52	143TC-R0402	PR0402A001052	1164	\$1,478
46		PR0402A001046	1316	\$1,478
40	143TC-R0402	PR0402A001040	1513	\$1,478
36		PR0402A001036	1681	\$1,478
32	143TC-R0402	PR0402A001032	1892	\$1,478

AC Frequency Operation Specifications

Sterling Electric offers a complete line of Premium Efficient Motors, when used with Helical Gears produce the optimum efficiency level compared to other gear systems available in the market.

Premium Efficient Motors are Suitable for AC Variable Frequency Operation 7:1 Turndown (8.5-60 Hz) Constant Torque with the following specifications:

1. Maximum total line distance between the controller and motor is not to exceed 50 Feet.
2. Maximum switching (carrier) frequency of the control is not to exceed 8 kHz.

Small motors, as referenced in this section, will require varying degrees of voltage boost or forcing in order to produce rated torque at low frequency operation. Refer to NEMA MG1-1998, Part 30.

1.5 Horsepower

F/L RPM	Double Reduction		Output Torque	List Price
	Frame	Model No.		
900	145TC-R0402	PR0402AY15900	101	\$1,488
817		PR0402AY15817	111	\$1,488
705	145TC-R0402	PR0402AY15705	129	\$1,488
607		PR0402AY15607	150	\$1,488
547	145TC-R0402	PR0402AY15557	166	\$1,488
493		PR0402AY15493	184	\$1,488
442	145TC-R0402	PR0402AY15442	205	\$1,488
394		PR0402AY15394	230	\$1,488
349	145TC-R0402	PR0402AY15349	260	\$1,488
320		PR0402AY15320	284	\$1,488
307	145TC-R0402	PR0402AY15307	296	\$1,488
276		PR0402AY15276	329	\$1,488
238	145TC-R0402	PR0402AY15238	381	\$1,488
215		PR0402AY15215	422	\$1,488
193	145TC-R0402	PR0402AY15193	470	\$1,488
173		PR0402AY15173	525	\$1,488
154	145TC-R0402	PR0402AY15154	590	\$1,488
137		PR0402AY15137	663	\$1,488
118	145TC-R0402	PR0402AY15118	769	\$1,488
103		PR0402AY15103	881	\$1,488
98	145TC-R0402	PR0402AY15098	926	\$1,488
92		PR0402AY15092	987	\$1,488
77	145TC-R0402	PR0402AY15077	1179	\$1,488
64		PR0402AY15064	1419	\$1,488
52	145TC-R0402	PR0402AY15052	1746	\$1,488
46		PR0402AY15046	1974	\$1,488
40	145TC-R0402	PR0402AY15040	2270	\$1,488
37		PR0602AY15037	2454	\$1,758
33	145TC-R0602	PR0602AY15033	2751	\$1,758

2 Horsepower

F/L RPM	Double Reduction		Output Torque	List Price
	Frame	Model No.		
900	145TC-R0402	PR0402A002900	135	\$1,502
817		PR0402A002817	148	\$1,502
705	145TC-R0402	PR0402A002705	172	\$1,502
607		PR0402A002607	199	\$1,502
547	145TC-R0402	PR0402A002547	221	\$1,502
493		PR0402A002493	246	\$1,502
442	145TC-R0402	PR0402A002442	274	\$1,502
394		PR0402A002394	307	\$1,502
349	145TC-R0402	PR0402A002349	347	\$1,502
320		PR0402A002320	378	\$1,502
307	145TC-R0402	PR0402A002307	394	\$1,502
276		PR0402A002276	439	\$1,502
238	145TC-R0402	PR0402A002238	509	\$1,502
215		PR0402A002215	563	\$1,502
193	145TC-R0402	PR0402A002193	627	\$1,502
173		PR0402A002173	700	\$1,502
154	145TC-R0402	PR0402A002154	786	\$1,502
137		PR0402A002137	884	\$1,502
118	145TC-R0402	PR0402A002118	1025	\$1,502
103		PR0402A002103	1175	\$1,502
97	145TC-R0402	PR0402A002097	1248	\$1,502
90	145TC-R0602	PR0602A002090	1345	\$1,785
77	145TC-R0402	PR0402A002077	1572	\$1,502
64		PR0402A002064	1891	\$1,502
52	145TC-R0402	PR0402A002052	2328	\$1,502
50	145TC-R0602	PR0602A002050	2421	\$1,785
41		PR0602A002041	2953	\$1,785
37	145TC-R0602	PR0602A002037	3271	\$1,785
33		PR0602A002033	3668	\$1,785

Note: All gearmotors listed are 3 Phase, 60Hz, 208-230/460 Volt, Totally Enclosed Enclosure Output Torque Values are in Inch Pounds

**STERLING
ELECTRIC, INC.****200HG SELECTION AND PRICING****A23****Premium Efficient (Inverter Rated) – AGMA Class I Rated**

3 Horsepower				
F/L RPM	Double Reduction		Output Torque	List Price
	Frame	Model No.		
900	182TC-R0402	PR0402A003900	202	\$1,812
817		PR0402A003817	222	\$1,812
705	182TC-R0402	PR0402A003705	258	\$1,812
607		PR0402A003607	299	\$1,812
547	182TC-R0402	PR0402A003547	332	\$1,812
493		PR0402A003493	368	\$1,812
442	182TC-R0402	PR0402A003442	411	\$1,812
394		PR0402A003394	461	\$1,812
349	182TC-R0402	PR0402A003349	520	\$1,812
320		PR0402A003320	567	\$1,812
307	182TC-R0402	PR0402A003307	591	\$1,812
276		PR0402A003276	658	\$1,812
238	182TC-R0402	PR0402A003238	763	\$1,812
215		PR0402A003215	845	\$1,812
193	182TC-R0402	PR0402A003193	941	\$1,812
173		PR0402A003173	1050	\$1,812
154	182TC-R0402	PR0402A003154	1179	\$1,812
137		PR0402A003137	1325	\$1,812
123	182TC-R0602	PR0602A003123	1476	\$2,095
100		PR0602A003100	1816	\$2,095
98	182TC-R0602	PR0602A003098	1853	\$2,095
90		PR0602A003090	2018	\$2,095
81	182TC-R0602	PR0602A003081	2242	\$2,095
65		PR0602A003065	2794	\$2,095
55	182TC-R0602	PR0602A003055	3302	\$2,095
50		PR0602A003050	3632	\$2,095
41	182TC-R0602	PR0602A003041	4429	\$2,095
35	182TC-R0702	PR0702A003035	5188	\$2,715
31		PR0702A003031	5858	\$2,175

5 Horsepower				
F/L RPM	Double Reduction		Output Torque	List Price
	Frame	Model No.		
900	184TC-R0402	PR0402A005900	336	\$1,947
817		PR0402A005817	370	\$1,947
705	184TC-R0402	PR0402A005705	429	\$1,947
607		PR0402A005607	499	\$1,947
547	184TC-R0402	PR0402A005547	553	\$1,947
493		PR0402A005493	614	\$1,947
442	184TC-R0402	PR0402A005442	685	\$1,947
394		PR0402A005394	768	\$1,947
349	184TC-R0402	PR0402A005349	867	\$1,947
320		PR0402A005320	946	\$1,947
307	184TC-R0402	PR0402A005307	986	\$1,947
276		PR0402A005276	1097	\$1,947
238	184TC-R0402	PR0402A005238	1272	\$1,947
215		PR0402A005215	1408	\$1,947
193	184TC-R0402	PR0402A005193	1568	\$1,947
173		PR0402A005173	1749	\$1,947
156	184TC-R0602	PR0602A005156	1940	\$2,158
142		PR0602A005142	2131	\$2,158
123	184TC-R0602	PR0602A005123	2460	\$2,158
106	184TC-R0702	PR0702A005106	2855	\$2,784
100		PR0702A005100	3026	\$2,784
89	184TC-R0702	PR0702A005089	3400	\$2,784
78		PR0702A005078	3880	\$2,784
63	184TC-R0702	PR0702A005063	4804	\$2,784
53		PR0702A005053	5710	\$2,784
49	184TC-R0702	PR0702A005049	6176	\$2,784
39	184TC-G0802	PG0802A005039	7760	\$3,806
36		PG0802A005036	8407	\$3,806
31	184TC-G0802	PG0802A005031	9763	\$3,806

7.5 Horsepower				
F/L RPM	Double Reduction		Output Torque	List Price
	Frame	Model No.		
860	213TC-R0602	PR0602AY75860	528	\$2,430
768		PR0602AY75768	591	\$2,430
684	213TC-R0602	PR0602AY75684	664	\$2,430
608		PR0602AY75608	747	\$2,430
539	213TC-R0602	PR0602AY75539	799	\$2,430
475		PR0602AY75475	956	\$2,430
436	213TC-R0602	PR0602AY75436	1041	\$2,430
381		PR0602AY75381	1191	\$2,430
346	213TC-R0602	PR0602AY75346	1312	\$2,430
315		PR0602AY75315	1441	\$2,430
298	213TC-R0602	PR0602AY75298	1523	\$2,430
280		PR0602AY75280	1621	\$2,430
249	213TC-R0602	PR0602AY75249	1823	\$2,430
221		PR0602AY75221	2054	\$2,430
195	213TC-R0602	PR0602AY75195	2328	\$2,430
179		PR0602AY75179	2536	\$2,430
156	213TC-R0602	PR0602AY75156	2910	\$2,430
142		PR0602AY75142	3197	\$2,430
125	213TC-R0702	PR0702AY75125	3632	\$3,684
106		PR0702AY75106	4283	\$3,684
100	213TC-R0702	PR0702AY75100	4540	\$3,684
89		PR0702AY75089	5101	\$3,684
78	213TC-R0702	PR0702AY75078	5820	\$3,684
62		PG0802AY75062	7322	\$4,042
53	213TC-G0802	PG0802AY75053	8565	\$4,042
48		PG0802AY75048	9458	\$4,042
39	213TC-G0802	PG0802AY75039	11640	\$4,042
36		PG0802AY75036	12610	\$4,042
29	213TC-H0902	PH0902AY75029	15654	\$5,943

10 Horsepower				
F/L RPM	Double Reduction		Output Torque	List Price
	Frame	Model No.		
860	215TC-R0602	PR0602A010860	704	\$2,717
768		PR0602A010768	788	\$2,717
684	215TC-R0602	PR0602A010684	885	\$2,717
608		PR0602A010608	996	\$2,717
539	215TC-R0602	PR0602A010539	1066	\$2,717
475		PR0602A010475	1274	\$2,717
436	215TC-R0602	PR0602A010436	1388	\$2,717
381		PR0602A010381	1589	\$2,717
346	215TC-R0602	PR0602A010346	1749	\$2,717
315		PR0602A010315	1922	\$2,717
298	215TC-R0602	PR0602A010298	2031	\$2,717
280		PR0602A010280	2162	\$2,717
249	215TC-R0602	PR0602A010249	2431	\$2,717
221		PR0602A010221	2739	\$2,717
195	215TC-R0602	PR0602A010195	3104	\$2,717
178		PR0602A010178	3400	\$2,717
157	215TC-R0702	PR0702A010157	3855	\$3,973
137		PR0702A010137	4418	\$3,973
125	215TC-R0702	PR0702A010125	5044	\$3,973
106		PR0702A010106	5948	\$3,973
100	215TC-R0702	PR0702A010100	6053	\$3,973
84	215TC-G0802	PG0802A010084	7206	\$4,332
75		PG0802A010075	8070	\$4,332
62	215TC-G0802	PG0802A010062	9763	\$4,332
53		PG0802A010053	11420	\$4,332
48	215TC-G0802	PG0802A010048	12610	\$4,332
39	215TC-H0902	PH0902A010039	15520	\$6,232
36		PH0902A010036	16813	\$6,232
32	215TC-H0902	PH0902A010032	18915	\$6,232

Note: All gearmotors listed are 3 Phase, 60Hz, 208-230/460 Volt, Totally Enclosed Enclosure Output Torque Values are in Inch Pounds

A24

2000HG SELECTION AND PRICING

STERLING
ELECTRIC, INC.

Premium Efficient (Inverter Rated) – AGMA Class I Rated

15 Horsepower					
F/L RPM	Double Reduction		Output Torque	List Price	
	Frame	Model No.			
902	254TC-R0702	PR0702A015902	1007	\$5,140	
719		PR0702A015719	1263	\$5,140	
640		PR0702A015640	1419	\$5,140	
568	254TC-R0702	PR0702A015568	1598	\$5,140	
502		RP0702A015502	1809	\$5,140	
461		PR0702A015461	1969	\$5,140	
404	254TC-R0702	PR0702A015404	2247	\$5,140	
351		PR0702A015351	2587	\$5,140	
318		PR0702A015318	2855	\$5,140	
280	254TC-R0702	PR0702A015280	3243	\$5,140	
249		PR0702A015249	3646	\$5,140	
221		PR0702A015221	4108	\$5,140	
195	254TC-R0702	PR0702A015195	4656	\$5,140	
180		PR0702A015180	5044	\$5,140	
153		254TC-G0802	PG0802A015153	5934	\$5,316
135	PG0802A015135		6725	\$5,316	
116	PG0802A015116		7827	\$5,316	
105	254TC-G0802	PG0802A015105	8647	\$5,316	
96		PG0802A015096	9458	\$5,316	
85		PG0802A015085	10681	\$5,316	
75	254TC-G0802	PG0802A015075	12106	\$5,316	
61		254TC-H0902	PH0902A015061	14884	\$8,146
54			PH0902A015054	16813	\$8,146
49	PH0902A015049		18529	\$8,146	
41	254TC-H1002	PH1002A015041	22144	\$13,525	
37		PH1002A015037	24538	\$13,525	
34		PH1002A015034	26704	\$13,525	

20 Horsepower					
F/L RPM	Double Reduction		Output Torque	List Price	
	Frame	Model No.			
902	256TC-R0702	PR0702A020902	1342	\$5,514	
719		PR0702A020719	1684	\$5,514	
640		PR0702A020640	1892	\$5,514	
568	256TC-R0702	PR0702A020568	2131	\$5,514	
502		PR0702A020502	2411	\$5,514	
461		PR0702A020461	2626	\$5,514	
404	256TC-R0702	PR0702A020404	2996	\$5,514	
351		PR0702A020351	3449	\$5,514	
314		PR0702A020314	3855	\$5,514	
280	256TC-R0702	PR0702A020280	4323	\$5,514	
210		256TC-G0802	PG0802A020210	5765	\$5,681
187			PG0802A020187	6474	\$5,681
153	PG0802A020153		7912	\$5,681	
135	256TC-G0802	PG0802A020135	8967	\$5,681	
116		PG0802A020116	10436	\$5,681	
105		PG0802A020105	11529	\$5,681	
94	256TC-H0902	PH0902A020094	12878	\$8,515	
84		PH0902A020084	14411	\$8,515	
76		PH0902A020076	15928	\$8,515	
67	256TC-H0902	PH0902A020067	18068	\$8,515	
60		PH0902A020060	20176	\$8,515	
56		256TC-H1002	PH1002A020056	21617	\$12,160
49	PH1002A020049		24705	\$12,160	
47	PH1002A020047		25757	\$12,160	
40	256TC-H1002	PH1002A020040	30264	\$12,160	
36		PH1002A020036	33627	\$12,160	
33		256TC-H1302	PH1302A020033	36684	\$17,756

25 Horsepower					
F/L RPM	Double Reduction		Output Torque	List Price	
	Frame	Model No.			
859	284TC-H0902	PH0902A025859	1762	\$10,157	
766		PH0902A025766	1975	\$10,157	
683		PH0902A025683	2216	\$10,157	
589	284TC-H0902	PH0902A025589	2569	\$10,157	
530		PH0902A025530	2855	\$10,157	
475		284TC-G0802	PG0802A025475	3186	\$7,293
335	PG0802A025335		4517	\$7,293	
302	PG0802A025302		5011	\$7,293	
271	284TC-G0802	PG0802A025271	5584	\$7,293	
210		PG0802A025210	7206	\$7,293	
187		PG0802A025187	8092	\$7,293	
152	284TC-G0802	PG0802A025152	9955	\$7,293	
137		284TC-H0902	PH0902A025137	11045	\$10,157
120			PH0902A025120	12610	\$10,157
105	PH0902A025105		14411	\$10,157	
94	284TC-H0902	PH0902A025094	16098	\$10,157	
84		PH0902A025084	18014	\$10,157	
76		PH0902A025076	19911	\$10,157	
67	284TC-H1002	PH1002A025067	22585	\$13,574	
58		PH1002A025058	26090	\$13,574	
56		PH1002A025056	27021	\$13,574	
49	284TC-H1002	PH1002A025049	30882	\$13,574	
47		PH1002A025047	32196	\$13,574	
40		284TC-H1302	PH1302A025040	37830	\$18,206
35	PH1302A025035		43234	\$18,206	
33	PH1302A025033		45855	\$18,206	
29	284TC-H1302	PH1302A025029	52179	\$18,206	
27		PH1302A025027	56044	\$18,206	

30 Horsepower					
F/L RPM	Double Reduction		Output Torque	List Price	
	Frame	Model No.			
859	286TC-H0902	PH0902A030859	2114	\$10,586	
766		PH0902A030766	2371	\$10,586	
683		PH0902A030683	2659	\$10,586	
589	286TC-H0902	PH0902A030589	3083	\$10,586	
530		PH0902A030530	3426	\$10,586	
474		PH0902A030474	3831	\$10,586	
428	286TC-H0902	PH0902A030428	4243	\$10,586	
381		PH0902A030381	4766	\$10,586	
344		PH0902A030344	5279	\$10,586	
307	286TC-H0902	PH0902A030307	5915	\$10,586	
264		PH0902A030264	6878	\$10,586	
236		PH0902A030236	7694	\$10,586	
212	286TC-H0902	PH0902A030212	8565	\$10,586	
190		PH0902A030190	9557	\$10,586	
170		PH0902A030170	10681	\$10,586	
149	286TC-H0902	PH0902A030149	12187	\$10,586	
137		PH0902A030137	13254	\$10,586	
120		PH0902A030120	15132	\$10,586	
105	286TC-H0902	PH0902A030105	17294	\$10,586	
95		286TC-H1002	PH1002A030095	19114	\$14,265
90			PH1002A030090	20176	\$14,265
81	PH1002A030081		22418	\$14,265	
67	286TC-H1002	PH1002A030067	27102	\$14,265	
58		PH1002A030058	31308	\$14,265	
56		PH1002A030056	32426	\$14,265	
49	286TC-H1002	PH1002A030049	37058	\$14,265	
44		286TC-H1302	PH1302A030044	41269	\$18,495
40	PH1302A030040		45396	\$18,495	

Note: All gearmotors listed are 3 Phase, 60Hz, 208-230/460 Volt, Totally Enclosed Enclosure Output Torque Values are in Inch Pounds

**STERLING
ELECTRIC, INC.**
2000HG SELECTION AND PRICING
A25
Premium Efficient (Inverter Rated) – AGMA Class I Rated

40 Horsepower				
F/L RPM	Double Reduction		Output Torque	List Price
	Frame	Model No.		
859	324TC-H0902	PH0902A040859	2819	\$12,414
766		PH0902A040766	3161	\$12,414
683	324TC-H0902	PH0902A040683	3545	\$12,414
589		PH0902A040589	4111	\$12,414
530	324TC-H0902	PH0902A040530	4568	\$12,414
474		PH0902A040474	5108	\$12,414
428	324TC-H0902	PH0902A040428	5657	\$12,414
381		PH0902A040381	6355	\$12,414
344	324TC-H0902	PH0902A040344	7038	\$12,414
307		PH0902A040307	7886	\$12,414
264	324TC-H0902	PH0902A040264	9171	\$12,414
236		PH0902A040236	10259	\$12,414
212	324TC-H0902	PH0902A040220	11420	\$12,414
190		PH0902A040204	12742	\$12,414
170	324TC-H0902	PH0902A040165	14242	\$12,414
149		PH0902A040146	16249	\$12,414
137	324TC-H0902	PH0902A040139	17672	\$12,414
120		PH0902A040123	20176	\$12,414
106	324TC-H1002	PH1002A040106	22841	\$16,196
95		PH1002A040095	25485	\$16,196
90	324TC-H1002	PH1002A040090	26901	\$16,196
81		PH1002A040081	29890	\$16,196
68	324TC-H1302	PH1302A040068	35605	\$21,824
61		PH1302A040061	39690	\$21,824
54	324TC-H1402	PH1402A040054	44836	\$21,824
49		PH1402A040049	49411	\$21,824
44	324TC-H1402	PH1402A040044	55025	\$21,824

50 Horsepower				
F/L RPM	Double Reduction		Output Torque	List Price
	Frame	Model No.		
859	326TC-H0902	PH0902A050859	3523	\$13,905
766		PH0902A050766	3951	\$13,905
683	326TC-H0902	PH0902A050683	4431	\$13,905
589		PH0902A050589	5138	\$13,905
530	326TC-H0902	PH0902A050530	5710	\$13,905
474		PH0902A050474	6385	\$13,905
428	326TC-H0902	PH0902A050428	7071	\$13,905
381		PH0902A050381	7943	\$13,905
344	326TC-H0902	PH0902A050344	8798	\$13,905
307		PH0902A050307	9858	\$13,905
264	326TC-H0902	PH0902A050264	11464	\$13,905
236		PH0902A050236	12824	\$13,905
212	326TC-H0902	PH0902A050212	14275	\$13,905
190		PH0902A050190	15928	\$13,905
165	326TC-H1002	PH1002A050165	18342	\$16,826
146		PH1002A050146	20729	\$16,826
139	326TC-H1002	PH1002A050139	21773	\$16,826
123		PH1002A050123	24605	\$16,826
106	326TC-H1002	PH1002A050106	28551	\$16,826
95		PH1002A050095	31857	\$16,826
90	326TC-H1002	PH1002A050090	33627	\$16,826
81		PH1002A050081	37363	\$16,826
61	326TC-H1302	PH1302A050061	49613	\$22,454
54		PH1302A050054	56044	\$22,454

Note: All gearmotors listed are 3 Phase, 60Hz, 208-230/460 Volt, Totally Enclosed Enclosure Output Torque Values are in Inch Pounds

A26	2000HG SELECTION AND PRICING	STERLING ELECTRIC, INC.
------------	-------------------------------------	------------------------------------

**Sterli-Seal ® Washdown Duty Premium Efficient (Inverter Rated)
AGMA Class I Rated**

1 Horsepower				
F/L RPM	Double Reduction		Output Torque	List Price •
	Frame	Model No.		
900	143TC-R0402	SPR0402A001900	67	\$1,626
817		SPR0402A001817	74	\$1,626
705	143TC-R0402	SPR0402A001705	86	\$1,626
607		SPR0402A001607	100	\$1,626
547	143TC-R0402	SPR0402A001547	111	\$1,626
493		SPR0402A001493	123	\$1,626
442	143TC-R0402	SPR0402A001442	137	\$1,626
394		SPR0402A001394	154	\$1,626
349	143TC-R0402	SPR0402A001349	173	\$1,626
320		SPR0402A001320	189	\$1,626
307	143TC-R0402	SPR0402A001307	197	\$1,626
276		SPR0402A001276	219	\$1,626
238	143TC-R0402	SPR0402A001238	254	\$1,626
215		SPR0402A001215	282	\$1,626
193	143TC-R0402	SPR0402A001193	314	\$1,626
173		SPR0402A001173	350	\$1,626
154	143TC-R0402	SPR0402A001154	393	\$1,626
137		SPR0402A001137	442	\$1,626
118	143TC-R0402	SPR0402A001118	513	\$1,626
103		SPR0402A001103	588	\$1,626
98	143TC-R0402	SPR0402A001098	618	\$1,626
92		SPR0402A001092	658	\$1,626
77	143TC-R0402	SPR0402A001077	786	\$1,626
64		SPR0402A001064	946	\$1,626
52	143TC-R0402	SPR0402A001052	1164	\$1,626
46		SPR0402A001046	1316	\$1,626
40	143TC-R0402	SPR0402A001040	1513	\$1,626
36		SPR0402A001036	1681	\$1,626
32	143TC-R0402	SPR0402A001032	1592	\$1,626

AC Frequency Operation Specifications

Sterling Electric offers a complete line of Premium Efficient Motors, when used with Helical Gears produce the optimum efficiency level compared to other gear systems available in the market.

Premium Efficient Motors are Suitable for AC Variable Frequency Operation 7:1 Turndown (8.5-60 Hz) Constant Torque with the following specifications:

- Maximum total line distance between the controller and motor is not to exceed 50 Feet.
- Maximum switching (carrier) frequency of the control is not to exceed 8 kHz.

Small motors, as referenced in this section, will require varying degrees of voltage boost or forcing in order to produce rated torque at low frequency operation. Refer to NEMA MG1-1998, Part 30.

1.5 Horsepower				
F/L RPM	Double Reduction		Output Torque	List Price •
	Frame	Model No.		
900	145TC-R0402	SPR0402AY15900	101	\$1,636
817		SPR0402AY15817	111	\$1,636
705	145TC-R0402	SPR0402AY15705	129	\$1,636
607		SPR0402AY15607	150	\$1,636
547	145TC-R0402	SPR0402AY15557	166	\$1,636
493		SPR0402AY15493	184	\$1,636
442	145TC-R0402	SPR0402AY15442	205	\$1,636
394		SPR0402AY15394	230	\$1,636
349	145TC-R0402	SPR0402AY15349	260	\$1,636
320		SPR0402AY15320	284	\$1,636
307	145TC-R0402	SPR0402AY15307	296	\$1,636
276		SPR0402AY15276	329	\$1,636
238	145TC-R0402	SPR0402AY15238	381	\$1,636
215		SPR0402AY15215	422	\$1,636
193	145TC-R0402	SPR0402AY15193	470	\$1,636
173		SPR0402AY15173	525	\$1,636
154	145TC-R0402	SPR0402AY15154	590	\$1,636
137		SPR0402AY15137	663	\$1,636
118	145TC-R0402	SPR0402AY15118	769	\$1,636
103		SPR0402AY15103	881	\$1,636
98	145TC-R0402	SPR0402AY15098	926	\$1,636
92		SPR0402AY15092	987	\$1,636
77	145TC-R0402	SPR0402AY15077	1179	\$1,636
64		SPR0402AY15064	1419	\$1,636
52	145TC-R0402	SPR0402AY15052	1746	\$1,636
46		SPR0402AY15046	1974	\$1,636
40	145TC-R0402	SPR0402AY15040	2270	\$1,636
37		SPR0602AY15037	2454	\$1,952
33	145TC-R0602	SPR0602AY15033	2751	\$1,952

2 Horsepower				
F/L RPM	Double Reduction		Output Torque	List Price •
	Frame	Model No.		
900	145TC-R0402	SPR0402A002900	135	\$1,653
817		SPR0402A002817	148	\$1,653
705	145TC-R0402	SPR0402A002705	172	\$1,653
607		SPR0402A002607	199	\$1,653
547	145TC-R0402	SPR0402A002547	221	\$1,653
493		SPR0402A002493	246	\$1,653
442	145TC-R0402	SPR0402A002442	274	\$1,653
394		SPR0402A002394	307	\$1,653
349	145TC-R0402	SPR0402A002349	347	\$1,653
320		SPR0402A002320	378	\$1,653
307	145TC-R0402	SPR0402A002307	394	\$1,653
276		SPR0402A002276	439	\$1,653
238	145TC-R0402	SPR0402A002238	509	\$1,653
215		SPR0402A002215	563	\$1,653
193	145TC-R0402	SPR0402A002193	627	\$1,653
173		SPR0402A002173	700	\$1,653
154	145TC-R0402	SPR0402A002154	786	\$1,653
137		SPR0402A002137	884	\$1,653
118	145TC-R0402	SPR0402A002118	1025	\$1,653
103		SPR0402A002103	1175	\$1,653
97	145TC-R0402	SPR0402A002097	1248	\$1,653
90	145TC-R0602	SPR0602A002090	1345	\$1,962
77	145TC-R0402	SPR0402A002077	1572	\$1,653
64		SPR0402A002064	1891	\$1,653
52	145TC-R0402	SPR0402A002052	2328	\$1,653
50	145TC-R0602	SPR0602A002050	2421	\$1,962
41		SPR0602A002041	2953	\$1,962
37	145TC-R0602	SPR0602A002037	3271	\$1,962
33		SPR0602A002033	3668	\$1,962

Note: All garmotors listed are 3 Phase, 60Hz, 208-230/460 Volt, Totally Enclosed Enclosure Output Torque Values are in Inch Pounds

- Optional Silver Freeze (Stainless Pigment) Paint List Price Frame R0402 R0602 \$28.00

STERLING ELECTRIC, INC.	2000HG SELECTION AND PRICING	A27
------------------------------------	-------------------------------------	------------

**Sterli-Seal® Washdown Duty Premium Efficient (Inverter Rated)
AGMA Class I Rated**

3 Horsepower				
F/L RPM	Double Reduction		Output Torque	List Price •
	Frame	Model No.		
900	182TC-R0402	SPR0402A003900	202	\$1,947
817		SPR0402A003817	222	\$1,947
705	182TC-R0402	SPR0402A003705	258	\$1,947
607		SPR0402A003607	299	\$1,947
547	182TC-R0402	SPR0402A003547	332	\$1,947
493		SPR0402A003493	368	\$1,947
442	182TC-R0402	SPR0402A003442	411	\$1,947
394		SPR0402A003394	461	\$1,947
349	182TC-R0402	SPR0402A003349	520	\$1,947
320		SPR0402A003320	567	\$1,947
307	182TC-R0402	SPR0402A003307	591	\$1,947
276		SPR0402A003276	658	\$1,947
238	182TC-R0402	SPR0402A003238	763	\$1,947
215		SPR0402A003215	845	\$1,947
193	182TC-R0402	SPR0402A003193	941	\$1,947
173		SPR0402A003173	1050	\$1,947
154	182TC-R0402	SPR0402A003154	1179	\$1,947
137		SPR0402A003137	1325	\$1,947
123	182TC-R0602	SPR0602A003123	1476	\$2,158
100		SPR0602A003100	1816	\$2,158
98	182TC-R0602	SPR0602A003098	1853	\$2,158
90		SPR0602A003090	2018	\$2,158
81	182TC-R0602	SPR0602A003081	2242	\$2,158
65		SPR0602A003065	2794	\$2,158
55	182TC-R0602	SPR0602A003055	3302	\$2,158
50		SPR0602A003050	3632	\$2,158
41	182TC-R0602	SPR0602A003041	4429	\$2,158
35	182TC-R0702	SPR0702A003035	5188	\$2,784
31		SPR0702A003031	5858	\$2,784

5 Horsepower				
F/L RPM	Double Reduction		Output Torque	List Price •
	Frame	Model No.		
900	184TC-R0402	SPR0402A005900	336	\$1,992
817		SPR0402A005817	370	\$1,992
705	184TC-R0402	SPR0402A005705	429	\$1,992
607		SPR0402A005607	499	\$1,992
547	184TC-R0402	SPR0402A005547	553	\$1,992
493		SPR0402A005493	614	\$1,992
442	184TC-R0402	SPR0402A005442	685	\$1,992
394		SPR0402A005394	768	\$1,992
349	184TC-R0402	SPR0402A005349	867	\$1,992
320		SPR0402A005320	946	\$1,992
307	184TC-R0402	SPR0402A005307	986	\$1,992
276		SPR0402A005276	1097	\$1,992
238	184TC-R0402	SPR0402A005238	1272	\$1,992
215		SPR0402A005215	1408	\$1,992
193	184TC-R0402	SPR0402A005193	1568	\$1,992
173		SPR0402A005173	1749	\$1,992
156	184TC-R0602	SPR0602A005156	1940	\$2,302
142		SPR0602A005142	2131	\$2,302
123	184TC-R0602	SPR0602A005123	2460	\$2,302
106	184TC-R0702	SPR0702A005106	2855	\$2,982
100		SPR0702A005100	3026	\$2,982
89	184TC-R0702	SPR0702A005089	3400	\$2,982
78		SPR0702A005078	3880	\$2,982
63	184TC-R0702	SPR0702A005063	4804	\$2,982
53		SPR0702A005053	5710	\$2,982
49	184TC-R0702	SPR0702A005049	6176	\$2,982
39	184TC-G0802	SPG0802A005039	7760	\$4,110
36		SPG0802A005036	8407	\$4,110
31	184TC-G0802	SPG0802A005031	9763	\$4,110

7.5 Horsepower				
F/L RPM	Double Reduction		Output Torque	List Price •
	Frame	Model No.		
860	213TC-R0602	SPR0602AY75860	528	\$2,595
768		SPR0602AY75768	591	\$2,595
684	213TC-R0602	SPR0602AY75684	664	\$2,595
608		SPR0602AY75608	747	\$2,595
539	213TC-R0602	SPR0602AY75539	799	\$2,595
475		SPR0602AY75475	956	\$2,595
436	213TC-R0602	SPR0602AY75436	1041	\$2,595
381		SPR0602AY75381	1191	\$2,595
346	213TC-R0602	SPR0602AY75346	1312	\$2,595
315		SPR0602AY75315	1441	\$2,595
298	213TC-R0602	SPR0602AY75298	1523	\$2,595
280		SPR0602AY75280	1621	\$2,595
249	213TC-R0602	SPR0602AY75249	1823	\$2,595
221		SPR0602AY75221	2054	\$2,595
195	213TC-R0602	SPR0602AY75195	2328	\$2,595
179		SPR0602AY75179	2536	\$2,595
156	213TC-R0602	SPR0602AY75156	2910	\$2,595
142		SPR0602AY75142	3197	\$2,595
125	213TC-R0702	SPR0702AY75125	3632	\$4,052
106		SPR0702AY75106	4283	\$4,052
100	213TC-R0702	SPR0702AY75100	4540	\$4,052
89		SPR0702AY75089	5101	\$4,052
78	213TC-R0702	SPR0702AY75078	5820	\$4,052
62		SPG0802AY75062	7322	\$4,444
53	213TC-G0802	SPG0802AY75053	8565	\$4,444
48		SPG0802AY75048	9458	\$4,444
39	213TC-G0802	SPG0802AY75039	11640	\$4,444
36		SPG0802AY75036	12610	\$4,444
29	213TC-H0902	SPH0902AY75029	15654	\$6,533

10 Horsepower				
F/L RPM	Double Reduction		Output Torque	List Price •
	Frame	Model No.		
860	215TC-R0602	SPR0602A010860	704	\$2,988
768		SPR0602A010768	788	\$2,988
684	215TC-R0602	SPR0602A010684	885	\$2,988
608		SPR0602A010608	996	\$2,988
539	215TC-R0602	SPR0602A010539	1066	\$2,988
475		SPR0602A010475	1274	\$2,988
436	215TC-R0602	SPR0602A010436	1388	\$2,988
381		SPR0602A010381	1589	\$2,988
346	215TC-R0602	SPR0602A010346	1749	\$2,988
315		SPR0602A010315	1922	\$2,988
298	215TC-R0602	SPR0602A010298	2031	\$2,988
280		SPR0602A010280	2162	\$2,988
249	215TC-R0602	SPR0602A010249	2431	\$2,988
221		SPR0602A010221	2739	\$2,988
195	215TC-R0602	SPR0602A010195	3104	\$2,988
178		SPR0602A010178	3400	\$2,988
157	215TC-R0702	SPR0702A010157	3855	\$4,367
137		SPR0702A010137	4418	\$4,367
125	215TC-R0702	SPR0702A010125	5044	\$4,367
106		SPR0702A010106	5948	\$4,367
100	215TC-R0702	SPR0702A010100	6053	\$4,367
84	215TC-G0802	SPG0802A010084	7206	\$4,765
75		SPG0802A010075	8070	\$4,765
62	215TC-G0802	SPG0802A010062	9763	\$4,765
53		SPG0802A010053	11420	\$4,765
48	215TC-G0802	SPG0802A010048	12610	\$4,765
39	215TC-H0902	SPH0902A010039	15520	\$6,851
36		SPH0902A010036	16813	\$6,851
32	215TC-H0902	SPH0902A010032	18915	\$6,851

Note: All gearmotors listed are 3 Phase, 60Hz, 208-230/460 Volt, Totally Enclosed Enclosure Output Torque Values are in Inch Pounds

- Optional Silver Freeze (Stainless Pigment) Paint List Price Frame

R0402	R0602	\$28.00
R0702	G0802	\$46.00
H0902	H1302	\$74.00

A28

2000HG SELECTION AND PRICING

STERLING
ELECTRIC, INC.Sterli-Seal ® Washdown Duty Premium Efficient (Inverter Rated)
AGMA Class I Rated

15 Horsepower					
F/L RPM	Double Reduction		Output Torque	List Price •	
	Frame	Model No.			
902	254TC-R0702	SPR0702A015902	1007	\$5,652	
719		SPR0702A015719	1263	\$5,652	
640		SPR0702A015640	1419	\$5,652	
568	254TC-R0702	SPR0702A015568	1598	\$5,652	
502		SPR0702A015502	1809	\$5,652	
461		SPR0702A015461	1969	\$5,652	
404	254TC-R0702	SPR0702A015404	2247	\$5,652	
351		SPR0702A015351	2587	\$5,652	
318		SPR0702A015318	2855	\$5,652	
280	254TC-R0702	SPR0702A015280	3243	\$5,652	
249		SPR0702A015249	3646	\$5,652	
221		SPR0702A015221	4108	\$5,652	
195	254TC-R0702	SPR0702A015195	4656	\$5,652	
180		SPR0702A015180	5044	\$5,652	
153		254TC-G0802	SPG0802A015153	5934	\$5,843
135	SPG0802A015135		6725	\$5,843	
116	SPG0802A015116		7827	\$5,843	
105	254TC-G0802	SPG0802A015105	8647	\$5,843	
96		SPG0802A015096	9458	\$5,843	
85		SPG0802A015085	10681	\$5,843	
75	254TC-G0802	SPG0802A015075	12106	\$5,843	
61		254TC-H0902	SPH0902A015061	14884	\$8,957
54			SPH0902A015054	16813	\$8,957
49	SPH0902A015049		18529	\$8,957	
41	254TC-H1002	SPH1002A015041	22144	\$15,606	
37		SPH1002A015037	24538	\$15,606	
34		SPH1002A015034	26704	\$15,606	

20 Horsepower					
F/L RPM	Double Reduction		Output Torque	List Price •	
	Frame	Model No.			
902	256TC-R0702	SPR0702A020902	1342	\$6,062	
719		SPR0702A020719	1684	\$6,062	
640		SPR0702A020640	1892	\$6,062	
568	256TC-R0702	SPR0702A020568	2131	\$6,062	
502		SPR0702A020502	2411	\$6,062	
461		SPR0702A020461	2626	\$6,062	
404	256TC-R0702	SPR0702A020404	2996	\$6,062	
351		SPR0702A020351	3449	\$6,062	
314		SPR0702A020314	3855	\$6,062	
280	256TC-R0702	SPR0702A020280	4323	\$6,062	
210		256TC-G0802	SPG0802A020210	5765	\$6,248
187			SPG0802A020187	6474	\$6,248
153	SPG0802A020153		7912	\$6,248	
135	256TC-G0802	SPG0802A020135	8967	\$6,248	
116		SPG0802A020116	10436	\$6,248	
105		SPG0802A020105	11529	\$6,248	
94	256TC-H0902	SPH0902A020094	12878	\$9,360	
84		SPH0902A020084	14411	\$9,360	
76		SPH0902A020076	15928	\$9,360	
67	256TC-H0902	SPH0902A020067	18068	\$9,360	
60		SPH0902A020060	20176	\$9,360	
56		256TC-H1002	SPH1002A020056	21617	\$13,370
49	SPH1002A020049		24705	\$13,370	
47	SPH1002A020047		25757	\$13,370	
40	256TC-H1002	SPH1002A020040	30264	\$13,370	
36		SPH1002A020036	33627	\$13,370	
33		SPH1002A020033	36684	\$19,522	

25 Horsepower					
F/L RPM	Double Reduction		Output Torque	List Price •	
	Frame	Model No.			
859	284TC-H0902	SPH0902A025859	1762	\$11,166	
766		SPH0902A025766	1975	\$11,166	
683		SPH0902A025683	2216	\$11,166	
589	284TC-H0902	SPH0902A025589	2569	\$11,166	
530		SPH0902A025530	2855	\$11,166	
475		284TC-G0802	SPG0802A025475	3186	\$8,054
335	SPG0802A025335		4517	\$8,054	
302	SPG0802A025302		5011	\$8,054	
271	284TC-G0802	SPG0802A025271	5584	\$8,054	
210		SPG0802A025210	7206	\$8,054	
187		SPG0802A025187	8092	\$8,054	
152	284TC-G0802	SPG0802A025152	9955	\$8,054	
137		284TC-H0902	SPH0902A025137	11045	\$11,166
120			SPH0902A025120	12610	\$11,166
105	SPH0902A025105		14411	\$11,166	
94	284TC-H0902	SPH0902A025094	16098	\$11,166	
84		SPH0902A025084	18014	\$11,166	
76		SPH0902A025076	19911	\$11,166	
67	284TC-H1002	SPH1002A025067	22585	\$14,924	
58		SPH1002A025058	26090	\$14,924	
56		SPH1002A025056	27021	\$14,924	
49	284TC-H1002	SPH1002A025049	30882	\$14,924	
47		SPH1002A025047	32196	\$14,924	
40		284TC-H1302	SPH1302A025040	37830	\$20,014
35	SPH1302A025035		43234	\$20,014	
33	SPH1302A025033		45855	\$20,014	
29	284TC-H1302	SPH1302A025029	52179	\$20,014	
27		SPH1302A025027	56044	\$20,014	

30 Horsepower					
F/L RPM	Double Reduction		Output Torque	List Price •	
	Frame	Model No.			
859	286TC-H0902	SPH0902A030859	2114	\$11,640	
766		SPH0902A030766	2371	\$11,640	
683		SPH0902A030683	2659	\$11,640	
589	286TC-H0902	SPH0902A030589	3083	\$11,640	
530		SPH0902A030530	3426	\$11,640	
474		SPH0902A030474	3831	\$11,640	
428	286TC-H0902	SPH0902A030428	4243	\$11,640	
381		SPH0902A030381	4766	\$11,640	
344		SPH0902A030344	5279	\$11,640	
307	286TC-H0902	SPH0902A030307	5915	\$11,640	
264		SPH0902A030264	6878	\$11,640	
236		SPH0902A030236	7694	\$11,640	
212	286TC-H0902	SPH0902A030212	8565	\$11,640	
190		SPH0902A030190	9557	\$11,640	
170		SPH0902A030170	10681	\$11,640	
149	286TC-H0902	SPH0902A030149	12187	\$11,640	
137		SPH0902A030137	13254	\$11,640	
120		SPH0902A030120	15132	\$11,640	
105	286TC-H0902	SPH0902A030105	17294	\$11,640	
95		286TC-H1002	SPH1002A030095	19114	\$15,684
90			SPH1002A030090	20176	\$15,684
81	SPH1002A030081		22418	\$15,684	
67	286TC-H1002	SPH1002A030067	27102	\$15,684	
58		SPH1002A030058	31308	\$15,684	
56		SPH1002A030056	32426	\$15,684	
49	286TC-H1002	SPH1002A030049	37058	\$15,684	
44		286TC-H1302	SPH1302A030044	41269	\$20,332
40			SPH1302A030040	45396	\$20,332

Note: All gearmotors listed are 3 Phase, 60Hz, 208-230/460 Volt, Totally Enclosed Enclosure Output Torque Values are in Inch Pounds

- Optional Silver Freeze (Stainless Pigment) Paint List Price Frame

R0702	G0802	\$46.00
H0902	H1302	\$74.00

**STERLING
ELECTRIC, INC.**
2000HG SELECTION AND PRICING
A29
**Sterli-Seal ® Washdown Duty Premium Efficient (Inverter Rated)
AGMA Class I Rated**

40 Horsepower					
F/L RPM	Double Reduction		Output Torque	List Price •	
	Frame	Model No.			
859	324TC-H0902	SPH0902A040859	2819	\$13,648	
766		SPH0902A040766	3161	\$13,648	
683		SPH0902A040683	3545	\$13,648	
589		SPH0902A040589	4111	\$13,648	
530	324TC-H0902	SPH0902A040530	4568	\$13,648	
474		SPH0902A040474	5108	\$13,648	
428		SPH0902A040428	5657	\$13,648	
381		SPH0902A040381	6355	\$13,648	
344	324TC-H0902	SPH0902A040344	7038	\$13,648	
307		SPH0902A040307	7886	\$13,648	
264		SPH0902A040264	9171	\$13,648	
236		SPH0902A040236	10259	\$13,648	
212	324TC-H0902	SPH0902A040220	11420	\$13,648	
190		SPH0902A040204	12742	\$13,648	
170		SPH0902A040165	14242	\$13,648	
149		SPH0902A040146	16249	\$13,648	
137	324TC-H0902	SPH0902A040139	17672	\$13,648	
120		SPH0902A040123	20176	\$13,648	
106	324TC-H1002	SPH1002A040106	22841	\$17,806	
95		SPH1002A040095	25485	\$17,806	
90		SPH1002A040090	26901	\$17,806	
81		SPH1002A040081	29890	\$17,806	
68	324TC-H1302	SPH1302A040068	35605	\$23,993	
61		SPH1302A040061	39690	\$23,993	
54		324TC-H1402	SPH1402A040054	44836	\$23,993
49			SPH1402A040049	49411	\$23,993
44	324TC-H1402	SPH1402A040044	55025	\$23,993	

50 Horsepower					
F/L RPM	Double Reduction		Output Torque	List Price •	
	Frame	Model No.			
859	326TC-H0902	SPH0902A050859	3523	\$15,287	
766		SPH0902A050766	3951	\$15,287	
683		SPH0902A050683	4431	\$15,287	
589		SPH0902A050589	5138	\$15,287	
530	326TC-H0902	SPH0902A050530	5710	\$15,287	
474		SPH0902A050474	6385	\$15,287	
428		SPH0902A050428	7071	\$15,287	
381		SPH0902A050381	7943	\$15,287	
344	326TC-H0902	SPH0902A050344	8798	\$15,287	
307		SPH0902A050307	9858	\$15,287	
264		SPH0902A050264	11464	\$15,287	
236		SPH0902A050236	12824	\$15,287	
212	326TC-H0902	SPH0902A050212	14275	\$15,287	
190		SPH0902A050190	15928	\$15,287	
165		326TC-H1002	SPH1002A050165	18342	\$18,500
146			SPH1002A050146	20729	\$18,500
139	326TC-H1002	SPH1002A050139	21773	\$18,500	
123		SPH1002A050123	24605	\$18,500	
106	326TC-H1002	SPH1002A050106	28551	\$18,500	
95		SPH1002A050095	31857	\$18,500	
90		SPH1002A050090	33627	\$18,500	
81		SPH1002A050081	37363	\$18,500	
61	326TC-H1302	SPH1302A050061	49613	\$24,686	
54		SPH1302A050054	56044	\$24,686	

Note: All gearmotors listed are 3 Phase, 60Hz, 208-230/460 Volt, Totally Enclosed Enclosure Output Torque Values are in Inch Pounds

- Optional Silver Freeze (Stainless Pigment) Paint List Price Frame H0902 H1302 \$74.00

A30

2000HG SELECTION AND PRICING

STERLING
ELECTRIC, INC.**(Inverter Duty 10:1 Constant Torque 6-60 Hz. Operation)
AGMA Class I Rated****.50 Horsepower**

F/L RPM	Double Reduction		Output Torque	List Price
	Frame	Model No.		
900	56C-R0402	IR0402AY05900	34	\$1,636
817		IR0402AY05817	37	\$1,636
705	56C-R0402	IR0402AY05705	43	\$1,636
607		IR0402AY05607	50	\$1,636
547	56C-R0402	IR0402AY05547	55	\$1,636
493		IR0402AY05493	61	\$1,636
442	56C-R0402	IR0402AY05442	68	\$1,636
394		IR0402AY05394	77	\$1,636
349	56C-R0402	IR0402AY05349	87	\$1,636
320		IR0402AY05320	95	\$1,636
307	56C-R0402	IR0402AY05307	99	\$1,636
276		IR0402AY05276	110	\$1,636
238	56C-R0402	IR0402AY05238	127	\$1,636
215		IR0402AY05215	141	\$1,636
193	56C-R0402	IR0402AY05193	157	\$1,636
173		IR0402AY05173	175	\$1,636
154	56C-R0402	IR0402AY05154	197	\$1,636
137		IR0402AY05137	221	\$1,636
118	56C-R0402	IR0402AY05118	256	\$1,636
103		IR0402AY05103	294	\$1,636
98	56C-R0402	IR0402AY05098	309	\$1,636
92		IR0402AY05092	329	\$1,636
77	56C-R0402	IR0402AY05077	393	\$1,636
64		IR0402AY05064	473	\$1,636
52	56C-R0402	IR0402AY05052	582	\$1,636
46		IR0402AY05046	658	\$1,636
40	56C-R0402	IR0402AY05040	757	\$1,636
36		IR0402AY05036	841	\$1,636
32	56C-R0402	IR0402AY05032	946	\$1,636

AC Frequency Operation Specifications

Sterling Electric offers a complete line of Premium Efficient Inverter Duty Motors. when used with Helical Gears produce the optimum efficiency level compared to other gear systems available in the market.

Inverter Duty Motors are Suitable for AC Variable Frequency Operation 10:1 Turndown (6-60 Hz) Constant Torque.

Inverter Duty Motors are Class H Insulated and supplied with (2) Normally Closed Thermal Protectors (Klixons).

Small motors, as referenced in this section, will require varying degrees of voltage boost or forcing in order to produce rated torque at low frequency operation. Refer to NEMA MG1-1998, Part 31.

.75 Horsepower

F/L RPM	Double Reduction		Output Torque	List Price
	Frame	Model No.		
900	56C-R0402	IR0402AY07900	50	\$1,678
817		IR0402AY07817	56	\$1,678
705	56C-R0402	IR0402AY07705	64	\$1,678
607		IR0402AY07607	75	\$1,678
547	56C-R0402	IR0402AY07547	83	\$1,678
493		IR0402AY07493	92	\$1,678
442	56C-R0402	IR0402AY07442	103	\$1,678
394		IR0402AY07394	115	\$1,678
349	56C-R0402	IR0402AY07349	130	\$1,678
320		IR0402AY07320	142	\$1,678
307	56C-R0402	IR0402AY07307	148	\$1,678
276		IR0402AY07276	164	\$1,678
238	56C-R0402	IR0402AY07238	191	\$1,678
215		IR0402AY07215	211	\$1,678
193	56C-R0402	IR0402AY07193	235	\$1,678
173		IR0402AY07173	262	\$1,678
154	56C-R0402	IR0402AY07154	295	\$1,678
137		IR0402AY07137	331	\$1,678
118	56C-R0402	IR0402AY07118	385	\$1,678
103		IR0402AY07103	441	\$1,678
98	56C-R0402	IR0402AY07098	463	\$1,678
92		IR0402AY07092	493	\$1,678
77	56C-R0402	IR0402AY07077	590	\$1,678
64		IR0402AY07064	709	\$1,678
52	56C-R0402	IR0402AY07052	873	\$1,678
46		IR0402AY07046	987	\$1,678
40	56C-R0402	IR0402AY07040	1135	\$1,678
36		IR0402AY07036	1261	\$1,678
32	56C-R0402	IR0402AY07032	1419	\$1,678

1 Horsepower

F/L RPM	Double Reduction		Output Torque	List Price
	Frame	Model No.		
900	56C-R0402	IR0402A001900	67	\$1,678
817		IR0402A001817	74	\$1,678
705	56C-R0402	IR0402A001705	86	\$1,678
607		IR0402A001607	100	\$1,678
547	56C-R0402	IR0402A001547	111	\$1,678
493		IR0402A001493	123	\$1,678
442	56C-R0402	IR0402A001442	137	\$1,678
394		IR0402A001394	154	\$1,678
349	56C-R0402	IR0402A001349	173	\$1,678
320		IR0402A001320	189	\$1,678
307	56C-R0402	IR0402A001307	197	\$1,678
276		IR0402A001276	219	\$1,678
238	56C-R0402	IR0402A001238	254	\$1,678
215		IR0402A001215	282	\$1,678
193	56C-R0402	IR0402A001193	314	\$1,678
173		IR0402A001173	350	\$1,678
154	56C-R0402	IR0402A001154	393	\$1,678
137		IR0402A001137	442	\$1,678
118	56C-R0402	IR0402A001118	513	\$1,678
103		IR0402A001103	588	\$1,678
98	56C-R0402	IR0402A001098	618	\$1,678
92		IR0402A001092	658	\$1,678
77	56C-R0402	IR0402A001077	786	\$1,678
64		IR0402A001064	946	\$1,678
52	56C-R0402	IR0402A001052	1164	\$1,678
46		IR0402A001046	1316	\$1,678
40	56C-R0402	IR0402A001040	1513	\$1,678
36		IR0402A001036	1681	\$1,678
32	56C-R0402	IR0402A001032	1892	\$1,678

Note: All gearmotors listed are 3 Phase, 60Hz, 208-230/460 Volt, Totally Enclosed Enclosure Output Torque Values are in Inch Pounds

**STERLING
ELECTRIC, INC.****200HG SELECTION AND PRICING****A31****(Inverter Duty 10:1 Constant Torque 6-60 Hz. Operation)
AGMA Class I Rated**

1.5 Horsepower				
F/L RPM	Double Reduction		Output Torque	List Price
	Frame	Model No.		
900	56C-R0402	IR0402AY15900	101	\$1,781
817		IR0402AY15817	111	\$1,781
705	56C-R0402	IR0402AY15705	129	\$1,781
607		IR0402AY15607	150	\$1,781
547	56C-R0402	IR0402AY15547	166	\$1,781
493		IR0402AY15493	184	\$1,781
442	56C-R0402	IR0402AY15442	205	\$1,781
394		IR0402AY15394	230	\$1,781
349	56C-R0402	IR0402AY15349	260	\$1,781
320		IR0402AY15320	284	\$1,781
307	56C-R0402	IR0402AY15307	296	\$1,781
276		IR0402AY15276	329	\$1,781
238	56C-R0402	IR0402AY15238	381	\$1,781
215		IR0402AY15215	422	\$1,781
193	56C-R0402	IR0402AY15193	470	\$1,781
173		IR0402AY15173	525	\$1,781
154	56C-R0402	IR0402AY15154	590	\$1,781
137		IR0402AY15137	663	\$1,781
118	56C-R0402	IR0402AY15118	769	\$1,781
103		IR0402AY15103	881	\$1,781
98	56C-R0402	IR0402AY15098	926	\$1,781
92		IR0402AY15092	987	\$1,781
77	56C-R0402	IR0402AY15077	1179	\$1,781
64		IR0402AY15064	1419	\$1,781
52	56C-R0402	IR0402AY15052	1746	\$1,781
46		IR0402AY15046	1974	\$1,781
40	56C-R0402	IR0402AY15040	2270	\$1,781
37	56C-R0602	IR0602AY15037	2454	\$1,910
33		IR0602AY15033	2751	\$1,910

2 Horsepower				
F/L RPM	Double Reduction		Output Torque	List Price
	Frame	Model No.		
900	56C-R0402	IR0402A002900	135	\$1,891
817		IR0402A002817	148	\$1,891
705	56C-R0402	IR0402A002705	172	\$1,891
607		IR0402A002607	199	\$1,891
547	56C-R0402	IR0402A002547	221	\$1,891
493		IR0402A002493	246	\$1,891
442	56C-R0402	IR0402A002442	274	\$1,891
394		IR0402A002394	307	\$1,891
349	56C-R0402	IR0402A002349	347	\$1,891
320		IR0402A002320	378	\$1,891
307	56C-R0402	IR0402A002307	394	\$1,891
276		IR0402A002276	439	\$1,891
238	56C-R0402	IR0402A002238	509	\$1,891
215		IR0402A002215	563	\$1,891
193	56C-R0402	IR0402A002193	627	\$1,891
173		IR0402A002173	700	\$1,891
154	56C-R0402	IR0402A002154	786	\$1,891
137		IR0402A002137	884	\$1,891
118	56C-R0402	IR0402A002118	1025	\$1,891
103		IR0402A002103	1175	\$1,891
97	56C-R0402	IR0402A002097	1248	\$1,891
90	56C-R0602	IR0602A002090	1345	\$2,031
77	56C-R0402	IR0402A002077	1572	\$1,891
64		IR0402A002064	1891	\$1,891
52	56C-R0402	IR0402A002052	2328	\$1,891
50	56C-R0602	IR0602A002050	2421	\$2,031
41		IR0602A002041	2953	\$2,031
37	56C-R0602	IR0602A002037	3271	\$2,031
33		IR0602A002033	3668	\$2,031

3 Horsepower				
F/L RPM	Double Reduction		Output Torque	List Price
	Frame	Model No.		
900	182TC-R0402	IR0402A003900	202	\$2,444
817		IR0402A003817	222	\$2,444
705	182TC-R0402	IR0402A003705	258	\$2,444
607		IR0402A003607	299	\$2,444
547	182TC-R0402	IR0402A003547	332	\$2,444
493		IR0402A003493	368	\$2,444
442	182TC-R0402	IR0402A003442	411	\$2,444
394		IR0402A003394	461	\$2,444
349	182TC-R0402	IR0402A003349	520	\$2,444
320		IR0402A003320	567	\$2,444
307	182TC-R0402	IR0402A003307	591	\$2,444
276		IR0402A003276	658	\$2,444
238	182TC-R0402	IR0402A003238	763	\$2,444
215		IR0402A003215	845	\$2,444
193	182TC-R0402	IR0402A003193	941	\$2,444
173		IR0402A003173	1050	\$2,444
154	182TC-R0402	IR0402A003154	1179	\$2,444
137		IR0402A003137	1325	\$2,444
123	182TC-R0602	IR0602A003123	1476	\$2,510
100		IR0602A003100	1816	\$2,510
98	182TC-R0602	IR0602A003098	1853	\$2,510
90		IR0602A003090	2018	\$2,510
81	182TC-R0602	IR0602A003081	2242	\$2,510
65		IR0602A003065	2794	\$2,510
55	182TC-R0602	IR0602A003055	3302	\$2,510
50		IR0602A003050	3632	\$2,510
41	182TC-R0602	IR0602A003041	4429	\$2,510
35	182TC-R0702	IR0702A003035	5188	\$3,345
31		IR0702A003031	5858	\$3,345

5 Horsepower				
F/L RPM	Double Reduction		Output Torque	List Price
	Frame	Model No.		
900	184TC-R0402	IR0402A005900	336	\$2,590
817		IR0402A005817	370	\$2,590
705	184TC-R0402	IR0402A005705	429	\$2,590
607		IR0402A005607	499	\$2,590
547	184TC-R0402	IR0402A005547	553	\$2,590
493		IR0402A005493	614	\$2,590
442	184TC-R0402	IR0402A005442	685	\$2,590
394		IR0402A005394	768	\$2,590
349	184TC-R0402	IR0402A005349	867	\$2,590
320		IR0402A005320	946	\$2,590
307	184TC-R0402	IR0402A005307	986	\$2,590
276		IR0402A005276	1097	\$2,590
238	184TC-R0402	IR0402A005238	1272	\$2,590
215		IR0402A005215	1408	\$2,590
193	184TC-R0402	IR0402A005193	1568	\$2,590
173		IR0402A005173	1749	\$2,590
156	184TC-R0602	IR0602A005156	1940	\$2,805
142		IR0602A005142	2131	\$2,805
123	184TC-R0602	IR0602A005123	2460	\$2,805
106	184TC-R0702	IR0702A005106	2855	\$3,425
100		IR0702A005100	3026	\$3,425
89	184TC-R0702	IR0702A005089	3400	\$3,425
78		IR0702A005078	3880	\$3,425
63	184TC-R0702	IR0702A005063	4804	\$3,425
53		IR0702A005053	5710	\$3,425
49	184TC-R0702	IR0702A005049	6176	\$3,425
39	184TC-G0802	IG0802A005039	7760	\$4,452
36		IG0802A005036	8407	\$4,452
31	184TC-G0802	IG0802A005031	9763	\$4,452

Note: All gearmotors listed are 3 Phase, 60Hz, 208-230/460 Volt, Totally Enclosed Enclosure Output Torque Values are in Inch Pounds

A32

2000HG SELECTION AND PRICING

STERLING
ELECTRIC, INC.(Inverter Duty 10:1 Constant Torque 6-60 Hz. Operation)
AGMA Class I Rated

7.5 Horsepower					
F/L RPM	Double Reduction		Output Torque	List Price	
	Frame	Model No.			
860	213TC-R0602	IR0602AY75860	528	\$2,868	
768		IR0602AY75768	591	\$2,868	
684		IR0602AY75684	664	\$2,868	
608		IR0602AY75608	747	\$2,868	
539	213TC-R0602	IR0602AY75539	799	\$2,868	
475		IR0602AY75475	956	\$2,868	
436		IR0602AY75436	1041	\$2,868	
381		IR0602AY75381	1191	\$2,868	
346	213TC-R0602	IR0602AY75346	1312	\$2,868	
315		IR0602AY75315	1441	\$2,868	
298		IR0602AY75298	1523	\$2,868	
280		IR0602AY75280	1621	\$2,868	
249	213TC-R0602	IR0602AY75249	1823	\$2,868	
221		IR0602AY75221	2054	\$2,868	
195		IR0602AY75195	2328	\$2,868	
179		IR0602AY75179	2536	\$2,868	
156	213TC-R0602	IR0602AY75156	2910	\$2,868	
142		IR0602AY75142	3197	\$2,868	
125		213TC-R0702	IR0702AY75125	3632	\$4,362
106			IR0702AY75106	4283	\$4,362
100	IR0702AY75100		4540	\$4,362	
89	IR0702AY75089		5101	\$4,362	
78	213TC-R0702	IR0702AY75078	5820	\$4,362	
62		213TC-G0802	IG0802AY75062	7322	\$4,720
53			IG0802AY75053	8565	\$4,720
48			IG0802AY75048	9458	\$4,720
39	213TC-G0802		IG0802AY75039	11640	\$4,720
36		IG0802AY75036	12610	\$4,720	
29		213TC-H0902	IH0902AY75029	15654	\$6,616

10 Horsepower					
F/L RPM	Double Reduction		Output Torque	List Price	
	Frame	Model No.			
860	215TC-R0602	IR0602A010860	704	\$3,443	
768		IR0602A010768	788	\$3,443	
684		IR0602A010684	885	\$3,443	
608		IR0602A010608	996	\$3,443	
539	215TC-R0602	IR0602A010539	1066	\$3,443	
475		IR0602A010475	1274	\$3,443	
436		IR0602A010436	1388	\$3,443	
381		IR0602A010381	1589	\$3,443	
346	215TC-R0602	IR0602A010346	1749	\$3,443	
315		IR0602A010315	1922	\$3,443	
298		IR0602A010298	2031	\$3,443	
280		IR0602A010280	2162	\$3,443	
249	215TC-R0602	IR0602A010249	2431	\$3,443	
221		IR0602A010221	2739	\$3,443	
195		IR0602A010195	3104	\$3,443	
178		IR0602A010178	3400	\$3,443	
157	215TC-R0702	IR0702A010157	3855	\$4,698	
137		IR0702A010137	4418	\$4,698	
125		IR0702A010125	5044	\$4,698	
106		IR0702A010106	5948	\$4,698	
100	215TC-R0702	IR0702A010100	6053	\$4,698	
84		215TC-G0802	IG0802A010084	7206	\$5,064
75			IG0802A010075	8070	\$5,064
62			IG0802A010062	9763	\$5,064
53	215TC-G0802		IG0802A010053	11420	\$5,064
48		IG0802A010048	12610	\$5,064	
39		215TC-H0902	IH0902A010039	15520	\$6,958
36			IH0902A010036	16813	\$6,958
32	215TC-H0902		IH0902A010032	18915	\$6,958

15 Horsepower					
F/L RPM	Double Reduction		Output Torque	List Price	
	Frame	Model No.			
902	254TC-R0702	IR0702A015902	1007	\$6,112	
719		IR0702A015719	1263	\$6,112	
640		IR0702A015640	1419	\$6,112	
568		IR0702A015568	1598	\$6,112	
502	254TC-R0702	IP0702A015502	1809	\$6,112	
461		IR0702A015461	1969	\$6,112	
404		IR0702A015404	2247	\$6,112	
351		IR0702A015351	2587	\$6,112	
318	254TC-R0702	IR0702A015318	2855	\$6,112	
280		IR0702A015280	3243	\$6,112	
249		IR0702A015249	3646	\$6,112	
221		IR0702A015221	4108	\$6,112	
195	254TC-R0702	IR0702A015195	4656	\$6,112	
180		IR0702A015180	5044	\$6,112	
153		254TC-G0802	IG0802A015153	5934	\$6,282
135			IG0802A015135	6725	\$6,282
116	IG0802A015116		7827	\$6,282	
105	IG0802A015105		8647	\$6,282	
96	254TC-G0802	IG0802A015096	9458	\$6,282	
85		IG0802A015085	10681	\$6,282	
75		IG0802A015075	12106	\$6,282	
61		254TC-H0902	IH0902A015061	14884	\$9,114
54	IH0902A015054		16813	\$9,114	
49	IH0902A015049		18529	\$9,114	
41	254TC-H1002		IH1002A015041	22144	\$12,760
37		IH1002A015037	24538	\$12,760	
34		IH1002A015034	26704	\$12,760	

20 Horsepower					
F/L RPM	Double Reduction		Output Torque	List Price	
	Frame	Model No.			
902	256TC-R0702	IR0702A020902	1342	\$6,385	
719		IR0702A020719	1684	\$6,385	
640		IR0702A020640	1892	\$6,385	
568		IR0702A020568	2131	\$6,385	
502	256TC-R0702	IR0702A020502	2411	\$6,385	
461		IR0702A020461	2626	\$6,385	
404		IR0702A020404	2996	\$6,385	
351		IR0702A020351	3449	\$6,385	
314	256TC-R0702	IR0702A020314	3855	\$6,385	
280		IR0702A020280	4323	\$6,385	
210		256TC-G0802	IG0802A020210	5765	\$6,558
187			IG0802A020187	6474	\$6,558
153	IG0802A020153		7912	\$6,558	
135	IG0802A020135		8967	\$6,558	
116	256TC-G0802	IG0802A020116	10436	\$6,558	
105		IG0802A020105	11529	\$6,558	
94		256TC-H0902	IH0902A020094	12878	\$9,380
84			IH0902A020084	14411	\$9,380
76	256TC-H0902		IH0902A020076	15928	\$9,380
67	IH0902A020067		18068	\$9,380	
60	256TC-H0902	IH0902A020060	20176	\$9,380	
56		256TC-H1002	IH1002A020056	21617	\$13,012
49			IH1002A020049	24705	\$13,012
47			256TC-H1002	IH1002A020047	25757
40	256TC-H1002		IH1002A020040	30264	\$13,012
36		IH1002A020036	33627	\$13,012	
33		256TC-H1302	IH1302A020033	36684	\$18,277

Note: All gearmotors listed are 3 Phase, 60Hz, 208-230/460 Volt, Totally Enclosed Enclosure Output Torque Values are in Inch Pounds

**STERLING
ELECTRIC, INC.****200HG SELECTION AND PRICING****A33****(Inverter Duty 10:1 Constant Torque 6-60 Hz. Operation)
AGMA Class I Rated**

25 Horsepower				
F/L RPM	Double Reduction		Output Torque	List Price
	Frame	Model No.		
859	284TC-H0902	IH0902A025859	1762	\$11,074
766		IH0902A025766	1975	\$11,074
683		IH0902A025683	2216	\$11,074
589		IH0902A025589	2569	\$11,074
530		IH0902A025530	2855	\$11,074
475	284TC-G0802	IG0802A025475	3186	\$8,252
335		IG0802A025335	4517	\$8,252
302		IG0802A025302	5011	\$8,252
271		IG0802A025271	5584	\$8,252
210		IG0802A025210	7206	\$8,252
187	284TC-G0802	IG0802A025187	8092	\$8,252
152		IG0802A025152	9955	\$8,252
137		284TC-H0902	IH0902A025137	11045
120	284TC-H0902	IH0902A025120	12610	\$11,074
105		IH0902A025105	14411	\$11,074
94		IH0902A025094	16098	\$11,074
84		IH0902A025084	18014	\$11,074
76		IH0902A025076	19911	\$11,074
67	284TC-H1002	IH1002A025067	22585	\$14,738
58		IH1002A025058	26090	\$14,738
56		IH1002A025056	27021	\$14,738
49		IH1002A025049	30882	\$14,738
47		IH1002A025047	32196	\$14,738
40	284TC-H1302	IH1302A025040	37830	\$18,304
35		IH1302A025035	43234	\$18,304
33		IH1302A025033	45855	\$18,304
29		IH1302A025029	52179	\$18,304
27		IH1302A025027	56044	\$18,304

30 Horsepower				
F/L RPM	Double Reduction		Output Torque	List Price
	Frame	Model No.		
859	286TC-H0902	IH0902A030859	2114	\$11,677
766		IH0902A030766	2371	\$11,677
683		IH0902A030683	2659	\$11,677
589		IH0902A030589	3083	\$11,677
530		IH0902A030530	3426	\$11,677
474	286TC-H0902	IH0902A030474	3831	\$11,677
428		IH0902A030428	4243	\$11,677
381		IH0902A030381	4766	\$11,677
344		IH0902A030344	5279	\$11,677
307		IH0902A030307	5915	\$11,677
264	286TC-H0902	IH0902A030264	6878	\$11,677
236		IH0902A030236	7694	\$11,677
212		IH0902A030212	8565	\$11,677
190	286TC-H0902	IH0902A030190	9557	\$11,677
170		IH0902A030170	10681	\$11,677
149		IH0902A030149	12187	\$11,677
137		IH0902A030137	13254	\$11,677
120		IH0902A030120	15132	\$11,677
105	286TC-H0902	IH0902A030105	17294	\$11,677
95		IH1002A030095	19114	\$15,356
90		IH1002A030090	20176	\$15,356
81		IH1002A030081	22418	\$15,356
67		IH1002A030067	27102	\$15,356
58		IH1002A030058	31308	\$15,356
56		IH1002A030056	32426	\$15,356
49	286TC-H1302	IH1002A030049	37058	\$15,356
44		IH1302A030044	41269	\$18,936
40		IH1302A030040	45396	\$18,936

40 Horsepower				
F/L RPM	Double Reduction		Output Torque	List Price
	Frame	Model No.		
859	324TC-H0902	IH0902A040859	2819	\$13,830
766		IH0902A040766	3161	\$13,830
683		IH0902A040683	3545	\$13,830
589		IH0902A040589	4111	\$13,830
530		IH0902A040530	4568	\$13,830
474	324TC-H0902	IH0902A040474	5108	\$13,830
428		IH0902A040428	5657	\$13,830
381		IH0902A040381	6355	\$13,830
344		IH0902A040344	7038	\$13,830
307		IH0902A040307	7886	\$13,830
264	324TC-H0902	IH0902A040264	9171	\$13,830
236		IH0902A040236	10259	\$13,830
212		IH0902A040220	11420	\$13,830
190	324TC-H0902	IH0902A040204	12742	\$13,830
170		IH0902A040165	14242	\$13,830
149		IH0902A040146	16249	\$13,830
137		IH0902A040139	17672	\$13,830
120		IH0902A040123	20176	\$13,830
106	324TC-H1002	IH1002A040106	22841	\$17,600
95		IH1002A040095	25485	\$17,600
90		IH1002A040090	26901	\$17,600
81		IH1002A040081	29890	\$17,600
68	324TC-H1302	IH1302A040068	35605	\$23,208
61		IH1302A040061	39690	\$23,208
54	324TC-H1402	IH1402A040054	44836	\$23,208
49		IH1402A040049	49411	\$23,208
44		IH1402A040044	55025	\$23,208

50 Horsepower				
F/L RPM	Double Reduction		Output Torque	List Price
	Frame	Model No.		
859	326TC-H0902	IH0902A050859	3523	\$15,044
766		IH0902A050766	3951	\$15,044
683		IH0902A050683	4431	\$15,044
589		IH0902A050589	5138	\$15,044
530		IH0902A050530	5710	\$15,044
474	326TC-H0902	IH0902A050474	6385	\$15,044
428		IH0902A050428	7071	\$15,044
381		IH0902A050381	7943	\$15,044
344		IH0902A050344	8798	\$15,044
307		IH0902A050307	9858	\$15,044
264	326TC-H0902	IH0902A050264	11464	\$15,044
236		IH0902A050236	12824	\$15,044
212		IH0902A050212	14275	\$15,044
190	326TC-H0902	IH0902A050190	15928	\$15,044
165		IH1002A050165	18342	\$18,820
146		IH1002A050146	20729	\$18,820
139		IH1002A050139	21773	\$18,820
123		IH1002A050123	24605	\$18,820
106	326TC-H1002	IH1002A050106	28551	\$18,820
95		IH1002A050095	31857	\$18,820
90		IH1002A050090	33627	\$18,820
81		IH1002A050081	37363	\$18,820
61	326TC-H1302	IH1302A050061	49613	\$24,451
54		IH1302A050054	56044	\$24,451

Note: All gearmotors listed are 3 Phase, 60Hz, 208-230/460 Volt, Totally Enclosed Enclosure Output Torque Values are in Inch Pounds

A34

2000HG SELECTION AND PRICING

STERLING
ELECTRIC, INC.

**Sterli-Seal ® (Inverter Duty 10:1 Constant Torque 6-60 Hz. Operation)
AGMA Class I Rated**

.50 Horsepower

F/L RPM	Double Reduction		Output Torque	List Price •
	Frame	Model No.		
900	56C-R0402	SIR0402AY05900	34	\$1,706
817		SIR0402AY05817	37	\$1,706
705	56C-R0402	SIR0402AY05705	43	\$1,706
607		SIR0402AY05607	50	\$1,706
547	56C-R0402	SIR0402AY05547	55	\$1,706
493		SIR0402AY05493	61	\$1,706
442	56C-R0402	SIR0402AY05442	68	\$1,706
394		SIR0402AY05394	77	\$1,706
349	56C-R0402	SIR0402AY05349	87	\$1,706
320		SIR0402AY05320	95	\$1,706
307	56C-R0402	SIR0402AY05307	99	\$1,706
276		SIR0402AY05276	110	\$1,706
238	56C-R0402	SIR0402AY05238	127	\$1,706
215		SIR0402AY05215	141	\$1,706
193	56C-R0402	SIR0402AY05193	157	\$1,706
173		SIR0402AY05173	175	\$1,706
154	56C-R0402	SIR0402AY05154	197	\$1,706
137		SIR0402AY05137	221	\$1,706
118	56C-R0402	SIR0402AY05118	256	\$1,706
103		SIR0402AY05103	294	\$1,706
98	56C-R0402	SIR0402AY05098	309	\$1,706
92		SIR0402AY05092	329	\$1,706
77	56C-R0402	SIR0402AY05077	393	\$1,706
64		SIR0402AY05064	473	\$1,706
52	56C-R0402	SIR0402AY05052	582	\$1,706
46		SIR0402AY05046	658	\$1,706
40	56C-R0402	SIR0402AY05040	757	\$1,706
36		SIR0402AY05036	841	\$1,706
32	56C-R0402	IR0402AY05032	946	\$1,706

AC Frequency Operation Specifications

Sterling Electric offers a complete line of Premium Efficient Inverter Duty Motors. when used with Helical Gears produce the optimum efficiency level compared to other gear systems available in the market.

Inverter Duty Motors are Suitable for AC Variable Frequency Operation 10:1 Turndown (6-60 Hz) Constant Torque.

Inverter Duty Motors are Class H Insulated and supplied with (2) Normally Closed Thermal Protectors (Klixons).

Small motors, as referenced in this section, will require varying degrees of voltage boost or forcing in order to produce rated torque at low frequency operation. Refer to NEMA MG1-1998, Part 31.

.75 Horsepower

F/L RPM	Double Reduction		Output Torque	List Price •
	Frame	Model No.		
900	56C-R0402	SIR0402AY07900	50	\$1,766
817		SIR0402AY07817	56	\$1,766
705	56C-R0402	SIR0402AY07705	64	\$1,766
607		SIR0402AY07607	75	\$1,766
547	56C-R0402	SIR0402AY07547	83	\$1,766
493		SIR0402AY07493	92	\$1,766
442	56C-R0402	SIR0402AY07442	103	\$1,766
394		SIR0402AY07394	115	\$1,766
349	56C-R0402	SIR0402AY07349	130	\$1,766
320		SIR0402AY07320	142	\$1,766
307	56C-R0402	SIR0402AY07307	148	\$1,766
276		SIR0402AY07276	164	\$1,766
238	56C-R0402	SIR0402AY07238	191	\$1,766
215		SIR0402AY07215	211	\$1,766
193	56C-R0402	SIR0402AY07193	235	\$1,766
173		SIR0402AY07173	262	\$1,766
154	56C-R0402	SIR0402AY07154	295	\$1,766
137		SIR0402AY07137	331	\$1,766
118	56C-R0402	SIR0402AY07118	385	\$1,766
103		SIR0402AY07103	441	\$1,766
98	56C-R0402	SIR0402AY07098	463	\$1,766
92		SIR0402AY07092	493	\$1,766
77	56C-R0402	SIR0402AY07077	590	\$1,766
64		SIR0402AY07064	709	\$1,766
52	56C-R0402	SIR0402AY07052	873	\$1,766
46		SIR0402AY07046	987	\$1,766
40	56C-R0402	SIR0402AY07040	1135	\$1,766
36		SIR0402AY07036	1261	\$1,766
32	56C-R0402	SIR0402AY07032	1419	\$1,766

1 Horsepower

F/L RPM	Double Reduction		Output Torque	List Price •
	Frame	Model No.		
900	56C-R0402	SIR0402A001900	67	\$1,827
817		SIR0402A001817	74	\$1,827
705	56C-R0402	SIR0402A001705	86	\$1,827
607		SIR0402A001607	100	\$1,827
547	56C-R0402	SIR0402A001547	111	\$1,827
493		SIR0402A001493	123	\$1,827
442	56C-R0402	SIR0402A001442	137	\$1,827
394		SIR0402A001394	154	\$1,827
349	56C-R0402	SIR0402A001349	173	\$1,827
320		SIR0402A001320	189	\$1,827
307	56C-R0402	SIR0402A001307	197	\$1,827
276		SIR0402A001276	219	\$1,827
238	56C-R0402	SIR0402A001238	254	\$1,827
215		SIR0402A001215	282	\$1,827
193	56C-R0402	SIR0402A001193	314	\$1,827
173		SIR0402A001173	350	\$1,827
154	56C-R0402	SIR0402A001154	393	\$1,827
137		SIR0402A001137	442	\$1,827
118	56C-R0402	SIR0402A001118	513	\$1,827
103		SIR0402A001103	588	\$1,827
98	56C-R0402	SIR0402A001098	618	\$1,827
92		SIR0402A001092	658	\$1,827
77	56C-R0402	SIR0402A001077	786	\$1,827
64		SIR0402A001064	946	\$1,827
52	56C-R0402	SIR0402A001052	1164	\$1,827
46		SIR0402A001046	1316	\$1,827
40	56C-R0402	SIR0402A001040	1513	\$1,827
36		SIR0402A001036	1681	\$1,827
32	56C-R0402	SIR0402A001032	1892	\$1,827

Note: All gearmotors listed are 3 Phase, 60Hz, 208-230/460 Volt, Totally Enclosed Enclosure Output Torque Values are in Inch Pounds
Output Torque in Inch Pounds

- Optional Silver Freeze (Stainless Pigment) Paint List Price Frame R0402 R0602 \$28.00

**STERLING
ELECTRIC, INC.****2000HG SELECTION AND PRICING****A35****Sterli-Seal ® (Inverter Duty 10:1 Constant Torque 6-60 Hz. Operation)
AGMA Class I Rated****1.5 Horsepower**

F/L RPM	Double Reduction		Output Torque	List Price •
	Frame	Model No.		
900	56C-R0402	SIR0402AY15900	101	\$1,875
817		SIR0402AY15817	111	\$1,875
705	56C-R0402	SIR0402AY15705	129	\$1,875
607		SIR0402AY15607	150	\$1,875
547	56C-R0402	SIR0402AY15547	166	\$1,875
493		SIR0402AY15493	184	\$1,875
442	56C-R0402	SIR0402AY15442	205	\$1,875
394		SIR0402AY15394	230	\$1,875
349	56C-R0402	SIR0402AY15349	260	\$1,875
320		SIR0402AY15320	284	\$1,875
307	56C-R0402	SIR0402AY15307	296	\$1,875
276		SIR0402AY15276	329	\$1,875
238	56C-R0402	SIR0402AY15238	381	\$1,875
215		SIR0402AY15215	422	\$1,875
193	56C-R0402	SIR0402AY15193	470	\$1,875
173		SIR0402AY15173	525	\$1,875
154	56C-R0402	SIR0402AY15154	590	\$1,875
137		SIR0402AY15137	663	\$1,875
118	56C-R0402	SIR0402AY15118	769	\$1,875
103		SIR0402AY15103	881	\$1,875
98	56C-R0402	SIR0402AY15098	926	\$1,875
92		SIR0402AY15092	987	\$1,875
77	56C-R0402	SIR0402AY15077	1179	\$1,875
64		SIR0402AY15064	1419	\$1,875
52	56C-R0402	SIR0402AY15052	1746	\$1,875
46		SIR0402AY15046	1974	\$1,875
40	56C-R0402	SIR0402AY15040	2270	\$1,875
37	56C-R0602	SIR0602AY15037	2454	\$2,010
33		SIR0602AY15033	2751	\$2,010

2 Horsepower

F/L RPM	Double Reduction		Output Torque	List Price •
	Frame	Model No.		
900	56C-R0402	SIR0402A002900	135	\$1,989
817		SIR0402A002817	148	\$1,989
705	56C-R0402	SIR0402A002705	172	\$1,989
607		SIR0402A002607	199	\$1,989
547	56C-R0402	SIR0402A002547	221	\$1,989
493		SIR0402A002493	246	\$1,989
442	56C-R0402	SIR0402A002442	274	\$1,989
394		SIR0402A002394	307	\$1,989
349	56C-R0402	SIR0402A002349	347	\$1,989
320		SIR0402A002320	378	\$1,989
307	56C-R0402	SIR0402A002307	394	\$1,989
276		SIR0402A002276	439	\$1,989
238	56C-R0402	SIR0402A002238	509	\$1,989
215		SIR0402A002215	563	\$1,989
193	56C-R0402	SIR0402A002193	627	\$1,989
173		SIR0402A002173	700	\$1,989
154	56C-R0402	SIR0402A002154	786	\$1,989
137		SIR0402A002137	884	\$1,989
118	56C-R0402	SIR0402A002118	1025	\$1,989
103		SIR0402A002103	1175	\$1,989
97	56C-R0402	SIR0402A002097	1248	\$1,989
90	56C-R0602	SIR0602A002090	1345	\$2,137
77	56C-R0402	SIR0402A002077	1572	\$1,989
64		SIR0402A002064	1891	\$1,989
52	56C-R0402	SIR0402A002052	2328	\$1,989
50	56C-R0602	SIR0602A002050	2421	\$2,137
41		SIR0602A002041	2953	\$2,137
37	56C-R0602	SIR0602A002037	3271	\$2,137
33		SIR0602A002033	3668	\$2,137

3 Horsepower

F/L RPM	Double Reduction		Output Torque	List Price •
	Frame	Model No.		
900	182TC-R0402	SIR0402A003900	202	\$2,571
817		SIR0402A003817	222	\$2,571
705	182TC-R0402	SIR0402A003705	258	\$2,571
607		SIR0402A003607	299	\$2,571
547	182TC-R0402	SIR0402A003547	332	\$2,571
493		SIR0402A003493	368	\$2,571
442	182TC-R0402	SIR0402A003442	411	\$2,571
394		SIR0402A003394	461	\$2,571
349	182TC-R0402	SIR0402A003349	520	\$2,571
320		SIR0402A003320	567	\$2,571
307	182TC-R0402	SIR0402A003307	591	\$2,571
276		SIR0402A003276	658	\$2,571
238	182TC-R0402	SIR0402A003238	763	\$2,571
215		SIR0402A003215	845	\$2,571
193	182TC-R0402	SIR0402A003193	941	\$2,571
173		SIR0402A003173	1050	\$2,571
154	182TC-R0402	SIR0402A003154	1179	\$2,571
137		SIR0402A003137	1325	\$2,571
123	182TC-R0602	SIR0602A003123	1476	\$2,640
100		SIR0602A003100	1816	\$2,640
98	182TC-R0602	SIR0602A003098	1853	\$2,640
90		SIR0602A003090	2018	\$2,640
81	182TC-R0602	SIR0602A003081	2242	\$2,640
65		SIR0602A003065	2794	\$2,640
55	182TC-R0602	SIR0602A003055	3302	\$2,640
50		SIR0602A003050	3632	\$2,640
41	182TC-R0602	SIR0602A003041	4429	\$2,640
35	182TC-R0702	SIR0702A003035	5188	\$3,520
31		SIR0702A003031	5858	\$3,520

5 Horsepower

F/L RPM	Double Reduction		Output Torque	List Price •
	Frame	Model No.		
900	184TC-R0402	SIR0402A005900	336	\$2,728
817		SIR0402A005817	370	\$2,728
705	184TC-R0402	SIR0402A005705	429	\$2,728
607		SIR0402A005607	499	\$2,728
547	184TC-R0402	SIR0402A005547	553	\$2,728
493		SIR0402A005493	614	\$2,728
442	184TC-R0402	SIR0402A005442	685	\$2,728
394		SIR0402A005394	768	\$2,728
349	184TC-R0402	SIR0402A005349	867	\$2,728
320		SIR0402A005320	946	\$2,728
307	184TC-R0402	SIR0402A005307	986	\$2,728
276		SIR0402A005276	1097	\$2,728
238	184TC-R0402	SIR0402A005238	1272	\$2,728
215		SIR0402A005215	1408	\$2,728
193	184TC-R0402	SIR0402A005193	1568	\$2,728
173		SIR0402A005173	1749	\$2,728
156	184TC-R0602	SIR0602A005156	1940	\$2,950
142		SIR0602A005142	2131	\$2,950
123	184TC-R0602	SIR0602A005123	2460	\$2,950
106	184TC-R0702	SIR0702A005106	2855	\$3,602
100		SIR0702A005100	3026	\$3,602
89	184TC-R0702	SIR0702A005089	3400	\$3,602
78		SIR0702A005078	3880	\$3,602
63	184TC-R0702	SIR0702A005063	4804	\$3,602
53		SIR0702A005053	5710	\$3,602
49	184TC-R0702	SIR0702A005049	6176	\$3,602
39	184TC-G0802	SIG0802A005039	7760	\$6,680
36		SIG0802A005036	8407	\$6,680
31	184TC-G0802	SIG0802A005031	9763	\$6,680

Note: All gearmotors listed are 3 Phase, 60Hz, 208-230/460 Volt, Totally Enclosed Enclosure Output Torque Values are in Inch Pounds

- Optional Silver Freeze (Stainless Pigment) Paint List Price Frame R0402 R0602 \$28.00
R0702 G0802 \$46.00

A36

2000HG SELECTION AND PRICING

STERLING
ELECTRIC, INC.Sterli-Seal ® (Inverter Duty 10:1 Constant Torque 6-60 Hz. Operation)
AGMA Class I Rated

7.5 Horsepower				
F/L RPM	Double Reduction		Output Torque	List Price •
	Frame	Model No.		
860	213TC-R0602	SIR0602AY75860	528	\$3,266
768		SIR0602AY75768	591	\$3,266
684	213TC-R0602	SIR0602AY75684	664	\$3,266
608		SIR0602AY75608	747	\$3,266
539	213TC-R0602	SIR0602AY75539	799	\$3,266
475		SIR0602AY75475	956	\$3,266
436	213TC-R0602	SIR0602AY75436	1041	\$3,266
381		SIR0602AY75381	1191	\$3,266
346	213TC-R0602	SIR0602AY75346	1312	\$3,266
315		SIR0602AY75315	1441	\$3,266
298	213TC-R0602	SIR0602AY75298	1523	\$3,266
280		SIR0602AY75280	1621	\$3,266
249	213TC-R0602	SIR0602AY75249	1823	\$3,266
221		SIR0602AY75221	2054	\$3,266
195	213TC-R0602	SIR0602AY75195	2328	\$3,266
179		SIR0602AY75179	2536	\$3,266
156	213TC-R0602	SIR0602AY75156	2910	\$3,266
142		SIR0602AY75142	3197	\$3,266
125	213TC-R0702	SIR0702AY75125	3632	\$4,590
106		SIR0702AY75106	4283	\$4,590
100	213TC-R0702	SIR0702AY75100	4540	\$4,590
89		SIR0702AY75089	5101	\$4,590
78	213TC-R0702	SIR0702AY75078	5820	\$4,590
62		SIG0802AY75062	7322	\$4,965
53	213TC-G0802	SIG0802AY75053	8565	\$4,965
48		SIG0802AY75048	9458	\$4,965
39	213TC-G0802	SIG0802AY75039	11640	\$4,965
36		SIG0802AY75036	12610	\$4,965
29	213TC-H0902	SIH0902AY75029	15654	\$6,962

10 Horsepower				
F/L RPM	Double Reduction		Output Torque	List Price •
	Frame	Model No.		
860	215TC-R0602	SIR0602A010860	704	\$3,623
768		SIR0602A010768	788	\$3,623
684	215TC-R0602	SIR0602A010684	885	\$3,623
608		SIR0602A010608	996	\$3,623
539	215TC-R0602	SIR0602A010539	1066	\$3,623
475		SIR0602A010475	1274	\$3,623
436	215TC-R0602	SIR0602A010436	1388	\$3,623
381		SIR0602A010381	1589	\$3,623
346	215TC-R0602	SIR0602A010346	1749	\$3,623
315		SIR0602A010315	1922	\$3,623
298	215TC-R0602	SIR0602A010298	2031	\$3,623
280		SIR0602A010280	2162	\$3,623
249	215TC-R0602	SIR0602A010249	2431	\$3,623
221		SIR0602A010221	2739	\$3,623
195	215TC-R0602	SIR0602A010195	3104	\$3,623
178		SIR0602A010178	3400	\$3,623
157	215TC-R0702	SIR0702A010157	3855	\$4,944
137		SIR0702A010137	4418	\$4,944
125	215TC-R0702	SIR0702A010125	5044	\$4,944
106		SIR0702A010106	5948	\$4,944
100	215TC-R0702	SIR0702A010100	6053	\$4,944
84	215TC-G0802	SIG0802A010084	7206	\$5,328
75		SIG0802A010075	8070	\$5,328
62	215TC-G0802	SIG0802A010062	9763	\$5,328
53		SIG0802A010053	11420	\$5,328
48	215TC-G0802	SIG0802A010048	12610	\$5,328
39	215TC-H0902	SIH0902A010039	15520	\$7,320
36		SIH0902A010036	16813	\$7,320
32	215TC-H0902	SIH0902A010032	18915	\$7,320

15 Horsepower				
F/L RPM	Double Reduction		Output Torque	List Price •
	Frame	Model No.		
902	254TC-R0702	SIR0702A015902	1007	\$6,433
719		SIR0702A015719	1263	\$6,433
640	254TC-R0702	SIR0702A015640	1419	\$6,433
568		SIR0702A015568	1598	\$6,433
502	254TC-R0702	SIP0702A015502	1809	\$6,433
461		SIR0702A015461	1969	\$6,433
404	254TC-R0702	SIR0702A015404	2247	\$6,433
351		SIR0702A015351	2587	\$6,433
318	254TC-R0702	SIR0702A015318	2855	\$6,433
280		SIR0702A015280	3243	\$6,433
249	254TC-R0702	SIR0702A015249	3646	\$6,433
221		SIR0702A015221	4108	\$6,433
195	254TC-R0702	SIR0702A015195	4656	\$6,433
180		SIR0702A015180	5044	\$6,433
153	254TC-G0802	SIG0802A015153	5934	\$6,610
135		SIG0802A015135	6725	\$6,610
116	254TC-G0802	SIG0802A015116	7827	\$6,610
105		SIG0802A015105	8647	\$6,610
96	254TC-G0802	SIG0802A015096	9458	\$6,610
85		SIG0802A015085	10681	\$6,610
75	254TC-G0802	SIG0802A015075	12106	\$6,610
61	254TC-H0902	SIH0902A015061	14884	\$9,593
54		SIH0902A015054	16813	\$9,593
49	254TC-H0902	SIH0902A015049	18529	\$9,593
41	254TC-H1002	SIH1002A015041	22144	\$13,428
37		SIH1002A015037	24538	\$13,428
34	254TC-H1002	SIH1002A015034	26704	\$13,428

20 Horsepower				
F/L RPM	Double Reduction		Output Torque	List Price •
	Frame	Model No.		
902	256TC-R0702	SIR0702A020902	1342	\$6,743
719		SIR0702A020719	1684	\$6,743
640	256TC-R0702	SIR0702A020640	1892	\$6,743
568		SIR0702A020568	2131	\$6,743
502	256TC-R0702	SIR0702A020502	2411	\$6,743
461		SIR0702A020461	2626	\$6,743
404	256TC-R0702	SIR0702A020404	2996	\$6,743
351		SIR0702A020351	3449	\$6,743
314	256TC-R0702	SIR0702A020314	3855	\$6,743
280		SIR0702A020280	4323	\$6,743
210	256TC-G0802	SIG0802A020210	5765	\$6,926
187		SIG0802A020187	6474	\$6,926
153	256TC-G0802	SIG0802A020153	7912	\$6,926
135		SIG0802A020135	8967	\$6,926
116	256TC-G0802	SIG0802A020116	10436	\$6,926
105		SIG0802A020105	11529	\$6,926
94	256TC-H0902	SIH0902A020094	12878	\$9,905
84		SIH0902A020084	14411	\$9,905
76	256TC-H0902	SIH0902A020076	15928	\$9,905
67		SIH0902A020067	18068	\$9,905
60	256TC-H0902	SIH0902A020060	20176	\$9,905
56	256TC-H1002	SIH1002A020056	21617	\$13,740
49		SIH1002A020049	24705	\$13,740
47	256TC-H1002	SIH1002A020047	25757	\$13,740
40		SIH1002A020040	30264	\$13,740
36	256TC-H1002	SIH1002A020036	33627	\$13,740
33	256TC-H1302	SIH1302A020033	36684	\$19,236

Note: All gearmotors listed are 3 Phase, 60Hz, 208-230/460 Volt, Totally Enclosed Enclosure Output Torque Values are in Inch Pounds

- Optional Silver Freeze (Stainless Pigment) Paint List Price Frame

R0402	R0602	\$28.00
R0702	G0802	\$46.00
H0902	H1302	\$74.00

**STERLING
ELECTRIC, INC.****2000HG SELECTION AND PRICING****A37****Sterli-Seal ® (Inverter Duty 10:1 Constant Torque 6-60 Hz. Operation)
AGMA Class I Rated**

25 Horsepower					
F/L RPM	Double Reduction		Output Torque	List Price •	
	Frame	Model No.			
859	284TC-H0902	SIH0902A025859	1762	\$11,693	
766		SIH0902A025766	1975	\$11,693	
683		SIH0902A025683	2216	\$11,693	
589		SIH0902A025589	2569	\$11,693	
530		SIH0902A025530	2855	\$11,693	
475	284TC-G0802	SIG0802A025475	3186	\$8,714	
335		SIG0802A025335	4517	\$8,714	
302		SIG0802A025302	5011	\$8,714	
271		SIG0802A025271	5584	\$8,714	
210		SIG0802A025210	7206	\$8,714	
187	284TC-G0802	SIG0802A025187	8092	\$8,714	
152		SIG0802A025152	9955	\$8,714	
137		284TC-H0902	SIH0902A025137	11045	\$11,693
120			SIH0902A025120	12610	\$11,693
105			SIH0902A025105	14411	\$11,693
94	SIH0902A025094		16098	\$11,693	
84	SIH0902A025084		18014	\$11,693	
76	SIH0902A025076	19911	\$11,693		
67	284TC-H1002	SIH1002A025067	22585	\$15,565	
58		SIH1002A025058	26090	\$15,565	
56		SIH1002A025056	27021	\$15,565	
49		SIH1002A025049	30882	\$15,565	
47		SIH1002A025047	32196	\$15,565	
40	284TC-H1302	SIH1302A025040	37830	\$19,332	
35		SIH1302A025035	43234	\$19,332	
33		SIH1302A025033	45855	\$19,332	
29		SIH1302A025029	52179	\$19,332	
27		SIH1302A025027	56044	\$19,332	

30 Horsepower					
F/L RPM	Double Reduction		Output Torque	List Price •	
	Frame	Model No.			
859	286TC-H0902	SIH0902A030859	2114	\$12,286	
766		SIH0902A030766	2371	\$12,286	
683		SIH0902A030683	2659	\$12,286	
589		SIH0902A030589	3083	\$12,286	
530		SIH0902A030530	3426	\$12,286	
474	286TC-H0902	SIH0902A030474	3831	\$12,286	
428		SIH0902A030428	4243	\$12,286	
381		SIH0902A030381	4766	\$12,286	
344		SIH0902A030344	5279	\$12,286	
307		SIH0902A030307	5915	\$12,286	
264	286TC-H0902	SIH0902A030264	6878	\$12,286	
236		SIH0902A030236	7694	\$12,286	
212		SIH0902A030212	8565	\$12,286	
190		SIH0902A030190	9557	\$12,286	
170		SIH0902A030170	10681	\$12,286	
149	286TC-H0902	SIH0902A030149	12187	\$12,286	
137		SIH0902A030137	13254	\$12,286	
120		SIH0902A030120	15132	\$12,286	
105		SIH0902A030105	17294	\$12,286	
95		286TC-H1002	SIH1002A030095	19114	\$16,158
90	SIH1002A030090		20176	\$16,158	
81	SIH1002A030081		22418	\$16,158	
67	SIH1002A030067		27102	\$16,158	
58	SIH1002A030058		31308	\$16,158	
56	286TC-H1002	SIH1002A030056	32426	\$16,158	
49		SIH1002A030049	37058	\$16,158	
44		286TC-H1302	SIH1302A030044	41269	\$19,927
40			SIH1302A030040	45396	\$19,927

40 Horsepower					
F/L RPM	Double Reduction		Output Torque	List Price •	
	Frame	Model No.			
859	324TC-H0902	SIH0902A040859	2819	\$14,606	
766		SIH0902A040766	3161	\$14,606	
683		SIH0902A040683	3545	\$14,606	
589		SIH0902A040589	4111	\$14,606	
530		SIH0902A040530	4568	\$14,606	
474	324TC-H0902	SIH0902A040474	5108	\$14,606	
428		SIH0902A040428	5657	\$14,606	
381		SIH0902A040381	6355	\$14,606	
344		SIH0902A040344	7038	\$14,606	
307		SIH0902A040307	7886	\$14,606	
264	324TC-H0902	SIH0902A040264	9171	\$14,606	
236		SIH0902A040236	10259	\$14,606	
212		SIH0902A040220	11420	\$14,606	
190		SIH0902A040204	12742	\$14,606	
170		SIH0902A040165	14242	\$14,606	
149	324TC-H0902	SIH0902A040146	16249	\$14,606	
137		SIH0902A040139	17672	\$14,606	
120		SIH0902A040123	20176	\$14,606	
106		324TC-H1002	SIH1002A040106	22841	\$18,587
95			SIH1002A040095	25485	\$18,587
90	SIH1002A040090		26901	\$18,587	
81	SIH1002A040081		29890	\$18,587	
68	324TC-H1302		SIH1302A040068	35605	\$24,509
61		SIH1302A040061	39690	\$24,509	
54		324TC-H1402	SIH1402A040054	44836	\$24,509
49			SIH1402A040049	49411	\$24,509
44			SIH1402A040044	55025	\$24,509

50 Horsepower					
F/L RPM	Double Reduction		Output Torque	List Price •	
	Frame	Model No.			
859	326TC-H0902	SIH0902A050859	3523	\$15,830	
766		SIH0902A050766	3951	\$15,830	
683		SIH0902A050683	4431	\$15,830	
589		SIH0902A050589	5138	\$15,830	
530		SIH0902A050530	5710	\$15,830	
474	326TC-H0902	SIH0902A050474	6385	\$15,830	
428		SIH0902A050428	7071	\$15,830	
381		SIH0902A050381	7943	\$15,830	
344		SIH0902A050344	8798	\$15,830	
307		SIH0902A050307	9858	\$15,830	
264	326TC-H0902	SIH0902A050264	11464	\$15,830	
236		SIH0902A050236	12824	\$15,830	
212		SIH0902A050212	14275	\$15,830	
190		SIH0902A050190	15928	\$15,830	
165		326TC-H1002	SIH1002A050165	18342	\$19,806
146	SIH1002A050146		20729	\$19,806	
139	326TC-H1002		SIH1002A050139	21773	\$19,806
123			SIH1002A050123	24605	\$19,806
106			SIH1002A050106	28551	\$19,806
95	326TC-H1002	SIH1002A050095	31857	\$19,806	
90		SIH1002A050090	33627	\$19,806	
81		SIH1002A050081	37363	\$19,806	
61	326TC-H1302	SIH1302A050061	49613	\$25,732	
54		SIH1302A050054	56044	\$25,732	

Note: All gearmotors listed are 3 Phase, 60Hz, 208-230/460 Volt, Totally Enclosed Enclosure Output Torque Values are in Inch Pounds

- Optional Silver Freeze (Stainless Pigment) Paint List Price Frame H0902 H1302 \$74.00

A38**2000HG HELICAL GEAR REDUCERS****STERLING
ELECTRIC, INC.****DOUBLE REDUCTION RATING TABLE**

Frame Size		R0402						R0602					
Nom. Ratio	Input RPM	Output RPM	Exact Ratio	Max. Input HP	Thermal HP Rating*†	In. Lbs. Output Torque	Max NEMA Frame	Output RPM	Exact Ratio	Max. Input HP	Thermal HP Rating*†	In. Lbs. Output Torque	Max NEMA Frame
2.0	3500	1801	1.943	14.30	*	471	180TC	1722	2.033	25.12	*	865	210TC
	1750	900		11.27	10.50	742		860		20.47	17.50	1410	
	1160	597		9.28	10.00	921		570		17.23	16.90	1790	
	875	450		7.92	9.70	1043		430		14.94	16.40	2058	
2.2	3500	1635	2.141	14.05	*	509	180TC	1536	2.278	24.71	*	954	210TC
	1750	817		10.98	10.50	797		768		19.96	17.50	1540	
	1160	542		8.99	10.00	984		509		16.69	16.90	1943	
	875	409		7.65	9.70	1109		384		14.41	16.40	2225	
2.5	3500	1412	2.479	13.58	*	570	180TC	1369	2.557	24.09	*	1043	210TC
	1750	705		10.48	10.50	880		684		19.27	17.50	1669	
	1160	468		8.51	10.00	1078		454		16.01	16.90	2092	
	875	353		7.20	9.70	1209		342		13.76	16.40	2383	
2.8	3500	1215	2.881	12.98	*	633	180TC	1217	2.877	23.62	*	1151	210TC
	1750	607		9.88	10.50	964		608		18.69	17.50	1822	
	1160	403		7.94	10.00	1169		403		15.42	16.90	2267	
	875	872		6.68	9.70	1304		304		13.19	16.40	2570	
3.2	3500	1096	3.194	12.57	*	680	180TC	1078	3.248	22.94	*	1262	210TC
	1750	547		9.46	10.50	1023		539		17.94	17.50	1973	
	1160	363		7.56	10.00	1233		357		14.68	16.90	2437	
	875	274		6.33	9.70	1369		269		12.49	16.40	2748	
3.6	3500	986	3.551	12.34	*	742	180TC	951	3.681	22.23	*	1386	210TC
	1750	493		9.18	10.5	1104		475		17.16	17.50	2139	
	1160	327		7.29	10.0	1322		315		13.92	16.90	2619	
	875	246		6.07	9.7	1461		238		11.78	16.40	2938	
4.0	3500	883	3.963	12.09	*	812	180TC	872	4.015	21.62	*	1470	210TC
	1750	442		8.89	10.5	1193		436		16.53	17.50	2247	
	1160	293		7.00	10.0	1417		289		13.33	16.90	2735	
	875	221		5.81	9.7	1559		218		11.23	16.40	3055	
4.5	3500	788	4.444	11.33	*	852	180TC	761	4.598	20.67	*	1609	210TC
	1750	394		8.21	10.50	1236		381		15.56	17.50	2422	
	1160	261		6.41	10.00	1457		252		12.43	16.90	2920	
	875	197		5.33	9.70	1594		190		10.67	16.40	3241	
5.0	3500	698	5.012	10.46	*	888	180TC	692	5.056	20.36	*	1743	210TC
	1750	349		7.47	10.50	1268		346		15.14	17.50	2593	
	1160	231		5.79	10.00	1482		229		12.02	16.90	3104	
	875	175		4.75	9.70	1613		173		9.82	16.40	3364	
5.4	3500	640	5.466	14.05	*	1300	180TC	630	5.559	24.71	*	2327	210TC
	1750	320		9.54	10.50	1766		315		16.10	17.50	3031	
	1160	212		7.03	10.00	1963		209		13.00	16.90	3692	
	875	160		5.60	9.70	2075		157		10.47	16.40	3944	
5.8	3500	615	5.694	9.59	*	925	180TC	595	5.880	19.50	*	1942	210TC
	1750	307		6.74	10.50	1300		298		14.23	17.50	2834	
	1160	204		5.17	10.00	1505		197		10.91	16.90	3279	
	875	154		4.22	9.70	1630		149		8.67	16.40	3455	
6.3	3500	553	6.330	13.54	*	1451	180TC	561	6.240	24.09	*	2546	210TC
	1750	276		8.58	10.46	1840		280		14.90	17.50	3150	
	1160	183		6.26	9.92	2024		186		11.92	16.90	3800	
	875	138		4.96	9.65	2126		140		9.55	16.40	4036	
7.2	3500	476	7.356	12.38	*	1542	180TC	499	7.021	22.82	*	2713	210TC
	1750	238		7.67	10.46	1912		249		13.73	17.50	3266	
	1160	158		5.53	9.92	2080		165		10.88	16.90	3904	
	875	119		4.36	9.65	2173		125		8.67	16.40	4124	
8.0	3500	429	8.154	11.61	*	1603	180TC	442	7.925	21.33	*	2862	210TC
	1750	215		7.09	10.46	1958		221		12.59	17.50	3380	
	1160	142		5.08	9.92	2116		146		9.88	16.90	4003	
	875	107		3.99	9.65	2202		110		7.84	16.40	4207	
9.0	3500	386	9.066	10.83	*	1663	180TC	390	8.984	19.81	*	3014	210TC
	1750	193		6.52	10.46	2003		195		11.47	17.50	3492	
	1160	128		4.64	9.92	2151		129		8.93	16.90	4098	
	875	97		3.63	9.65	2230		97		7.04	16.40	4286	
10	3500	346	10.118	10.06	*	1724	180TC	357	9.797	18.78	*	3116	210TC
	1750	173		5.97	10.46	2046		178		10.74	17.50	3565	
	1160	115		4.22	9.92	2184		118		8.31	16.90	4160	
	875	86		3.29	9.65	2257		89		6.53	16.40	4337	
11	3500	308	11.346	9.29	*	1785	180TC	312	11.219	17.22	*	3272	210TC
	1750	154		5.43	10.46	2088		156		9.66	17.50	3672	
	1160	102		3.82	9.92	2215		103		7.41	16.90	4249	
	875	77		2.97	9.65	2282		78		5.80	16.40	4410	
12	3500	274	12.797	8.52	*	1846	180TC	284	12.337	16.16	*	3377	210TC
	1750	137		4.91	10.46	2129		142		8.96	17.50	3743	
	1160	91		3.43	9.92	2246		94		6.83	16.90	4307	
	875	68		2.66	9.65	2307		71		5.33	16.40	4457	
14	3500	235	14.863	4.47	7.37	1125	180TC	246	14.216	10.60	12.30	2552	210TC
	1750	118		2.76	10.46	1389		123		6.84	17.40	3291	
	1160	78		1.99	9.92	1508		82		5.02	16.60	3648	
	875	59		1.56	9.65	1574		62		3.97	16.10	3825	

* CONSULT FACTORY- Thermal ratings are a measure of the units ability to dissipate heat. If they are exceeded the lubrication may breakdown resulting in premature gear failure. Stainless Steel constructed units have a reduced thermal rating Consult factory

**STERLING
ELECTRIC, INC.****2000HG HELICAL GEAR REDUCERS****A39****DOUBLE REDUCTION RATING TABLE**

Frame Size		R0402						R0602					
Nom. Ratio	Input RPM	Output RPM	Exact Ratio	Max. Input HP	Thermal HP Rating*†	In. Lbs. Output Torque	Max NEMA Frame	Output RPM	Exact Ratio	Max. Input HP	Thermal HP Rating*†	In. Lbs. Output Torque	Max NEMA Frame
17	3500	206	16.992	3.48	7.37	1000	180TC	200	17.488	7.89	12.30	2336	210TC
	1750	103		2.11	10.46	1214		100		4.94	17.40	2928	
	1160	68		1.51	9.92	1308		66		3.58	16.60	3202	
	875	51		1.18	9.65	1359		50		2.83	16.10	3353	
18	3500	195	17.919	6.58	7.37	1998	180TC	195	17.925	12.37	12.30	3755	210TC
	1750	98		3.67	10.46	2227		98		6.56	17.40	3982	
	1160	65		2.53	9.92	2317		65		4.91	16.60	4499	
	875	49		1.95	9.65	2363		49		3.80	16.10	4610	
20	3500	183	19.081	2.87	7.37	927	180TC	180	19.419	6.89	12.30	2268	210TC
	1750	92		1.72	10.46	1109		90		4.26	17.40	2802	
	1160	61		1.22	9.92	1188		60		3.07	16.60	3044	
	875	46		0.95	9.65	1230		45		2.41	16.10	3176	
22	3500	154	22.747	5.42	7.37	2089	180TC	162	21.651	10.70	12.30	3922	210TC
	1750	77		2.96	10.46	2283		81		5.56	17.40	4081	
	1160	51		2.03	9.92	2356		54		4.14	16.60	4576	
	875	38		1.55	9.65	2394		40		3.18	16.10	4671	
26	3500	128	27.308	4.65	7.37	2150	180TC	130	26.867	8.99	12.30	4092	210TC
	1750	64		2.51	10.46	2319		65		4.59	17.40	4178	
	1160	42		1.71	9.92	2382		43		3.39	16.60	4650	
	875	32		1.30	9.65	2413		33		2.60	16.10	4729	
32	3500	104	33.692	3.87	7.37	2211	180TC	110	31.681	7.84	12.30	4207	210TC
	1750	52		2.06	10.46	2354		55		3.95	17.40	4241	
	1160	34		1.40	9.92	2406		37		2.90	16.60	4699	
	875	26		1.07	9.65	2432		28		2.22	16.10	4767	
36	3500	92	37.949	3.49	7.37	2241	180TC	101	34.690	7.26	12.30	4265	210TC
	1750	46		1.84	10.46	2371		50		3.64	17.40	4273	
	1160	31		1.25	9.92	2418		33		2.66	16.60	4723	
	875	23		0.95	9.65	2441		25		2.04	16.10	4785	
42	3500	81	43.385	3.09	7.37	2273	180TC	82	42.675	6.07	12.30	4384	210TC
	1750	40		1.62	10.46	2388		41		3.00	17.40	4336	
	1160	27		1.10	9.92	2430		27		2.19	16.60	4770	
	875	20		0.83	9.65	2450		21		1.67	16.10	4822	
50	3500	72	48.718	2.78	7.37	2297	180TC	74	47.386	5.53	12.30	4437	210TC
	1750	36		1.46	10.46	2401		37		2.72	17.40	4364	
	1160	24		0.98	9.92	2439		24		1.98	16.60	4791	
	875	18		0.74	9.65	2457		18		1.51	16.10	4838	
54	3500	63	55.385	2.47	7.37	2321	180TC	66	53.143	4.99	12.30	4491	210TC
	1750	32		1.29	10.46	2415		33		2.44	17.40	4392	
	1160	21		0.86	9.92	2448		22		1.77	16.60	4812	
	875	16		0.66	9.65	2464		16		1.35	16.10	4854	

* CONSULT FACTORY- Thermal ratings are a measure of the units ability to dissipate heat. If they are exceeded the lubrication may breakdown resulting in premature gear failure.

Stainless Steel constructed units have a reduced thermal rating Consult factory.

A40

2000HG HELICAL GEAR REDUCERS

STERLING
ELECTRIC, INC.

DOUBLE REDUCTION RATING TABLE

Frame Size			R0702					G0802									
Nom. Ratio	Input RPM	Output RPM	Exact Ratio	Max. Input HP	Thermal HP Rating	In. Lbs. Output Torque	Max NEMA Frame	Output RPM	Exact Ratio	Max. Input HP	Thermal HP Rating	In. Lbs. Output Torque	Max NEMA Frame				
2.0	3500	1804	1.940	25.85	*	849	250TC										
	1750	902		21.71	19.3	1426											
	1160	598		18.66	18.1	1850											
	875	451		16.44	17.6	2160											
2.2	3500	1612	2.172	25.92	*	953											
	1750	806		21.60	19.3	1589											
	1160	534		18.46	18.1	2049											
	875	403		16.19	17.6	2382											
2.5	3500	1438	2.434	26.09	*	1075	250TC										
	1750	719		21.55	19.3	1776											
	1160	477		18.30	18.1	2277											
	875	359		15.98	17.6	2635											
2.8	3500	1280	2.734	26.28	*	1217	250TC										
	1750	640		21.50	19.3	1991											
	1160	424		18.14	18.1	2534											
	875	320		15.76	17.6	2919											
3.2	3500	1136	3.080	26.41	*	1378	250TC										
	1750	568		21.37	19.3	2230											
	1160	377		17.90	18.1	2818											
	875	284		15.47	17.6	3229											
3.6	3500	1005	3.484	26.69	*	1575	250TC	951	3.678	65.7	*	4160	250TC				
	1750	502		21.35	19.3	2520								475	32.9	39.5	4190
	1160	333		17.74	18.1	3158								315	21.8	37.8	4200
	875	251		15.24	17.6	3598								237	16.4	36.6	4210
4.0	3500	923	3.793	26.73	*	1717	250TC										
	1750	461		21.19	19.3	2723											
	1160	306		17.50	18.1	3393											
	875	231		14.98	17.6	3851											
4.5	3500	808	4.331	27.75	*	2035	250TC										
	1750	404		21.68	19.3	3181											
	1160	268		17.74	18.1	3927											
	875	202		15.47	17.6	4428											
5.0	3500	702	4.985	28.26	*	2386	250TC	671	5.214	65.7	*	5930	250TC				
	1750	351		21.74	19.3	3670								335	32.9	39.5	5960
	1160	233		17.60	18.1	4483								222	21.8	37.8	5980
	875	176		14.59	17.6	4928								167	16.4	36.6	5980
5.4	3500	628	5.572	31.11	*	2936	250TC										
	1750	314		21.70	19.3	4097											
	1160	208		16.60	18.1	4727											
	875	157		13.53	17.6	5106											
5.8	3500	636	5.504	27.39	*	2553	250TC	604	5.792	65.4	*	6570	250TC				
	1750	318		20.81	19.3	3879								302	32.9	39.5	6630
	1160	211		16.72	18.1	4703								200	21.8	37.8	6640
	875	159		13.50	17.6	5034								151	16.4	36.6	6650
6.3	3500	560	6.246	29.56	*	3127	250TC	543	6.442	61.7	27.7	6900	250TC				
	1750	280		20.23	19.3	4279								271	32.9	39.0	7380
	1160	186		15.31	18.1	4886								180	21.8	37.3	7390
	875	140		12.40	17.6	5246								135	16.4	36.1	7400
7.2	3500	499	7.016	30.30	*	3600	250TC										
	1750	249		20.33	19.3	4831											
	1160	165		15.32	18.1	5461											
	875	125		12.26	17.6	5827											
8.0	3500	443	7.904	28.53	*	3819	250TC	420	8.330	53.1	27.7	7680	250TC				
	1750	221		18.77	19.3	5024								210	32.9	39.0	9560
	1160	147		13.92	18.1	5622								139	21.8	37.3	9570
	875	111		11.14	17.6	5966								105	16.4	36.1	9580
9.0	3500	391	8.941	26.71	*	4044	250TC	374	9.352	49.4	27.7	8020	250TC				
	1750	195		17.22	19.3	5215								187	31.1	39.0	10200
	1160	130		12.65	18.1	5779								124	21.8	37.3	10700
	875	98		10.07	17.6	6098								93	16.4	36.1	10800
10	3500	360	9.733	25.46	*	4197	250TC										
	1750	180		16.20	19.3	5341											
	1160	119		11.82	18.1	5881											
	875	90		9.38	17.6	6183											
11	3500	315	11.114	23.55	*	4433	250TC	305	11.47	43.1	27.7	8590	250TC				
	1750	157		14.68	19.3	5528								152	27.2	39.0	10900
	1160	104		10.62	18.1	6030								101	20.6	37.3	12500
	875	79		8.38	17.6	6307								76	16.4	36.1	13200
12	3500	274	12.790	21.59	*	4676	210TC	270	12.92	39.3	27.7	8820	250TC				
	1750	137		13.19	19.3	5713								135	24.7	39.0	11200
	1160	91		9.45	18.1	6175								89	18.8	37.3	12800
	875	68		7.42	17.6	6426								67	15.6	36.1	14100
14	3500	250	13.986	19.64	13.5	4653	210TC	232	15.04	35.5	27.7	9280	250TC				
	1750	125		13.09	19.0	6202								116	22.4	39.0	11700
	1160	83		9.77	18.1	6986								77	17.0	37.3	13500
	875	63		7.85	17.6	7440								58	14.1	36.1	14800
17	3500	213	16.444	14.19	13.5	3953	210TC	209	16.69	32.9	27.7	9540	250TC				
	1750	106		9.24	19.0	5145								104	20.7	39.0	12100
	1160	71		6.82	18.1	5727								69	14.3	37.3	12600
	875	53		5.44	17.6	6058								52	10.8	36.1	12600
18	3500	200	17.515	18.23	13.5	5409	210TC	191	18.26	30.3	27.7	9620	250TC				
	1750	100		10.69	19.0	6341								95	18.9	39.0	12100
	1160	66		7.52	18.1	6732								63	12.5	37.3	12100
	875	50		5.85	17.6	6938								47	9.46	36.1	12100

* CONSULT FACTORY- Thermal ratings are a measure of the units ability to dissipate heat. If they are exceeded the lubrication may breakdown resulting in premature gear failure.

**STERLING
ELECTRIC, INC.****2000HG HELICAL GEAR REDUCERS****A41****DOUBLE REDUCTION RATING TABLE**

Frame Size		R0702						G0802					
Nom. Ratio	Input RPM	Output RPM	Exact Ratio	Max. Input HP	Thermal HP Rating *	In. Lbs. Output Torque	Max NEMA Frame	Output RPM	Exact Ratio	Max. Input HP	Thermal HP Rating *	In. Lbs. Output Torque	Max NEMA Frame
20	3500	177	19.755	12.08	13.5	4041	210TC	169	20.66	27.8	27.7	9970	250TC
	1750	89		7.65	19.0	5122		84		17.5	39.0	12600	
	1160	59		5.58	18.1	5629		56		11.9	37.3	12900	
	875	44		4.42	17.6	5913		42		8.97	36.1	12900	
22	3500	156	22.415	15.23	13.5	5780	210TC	150	23.32	25.2	27.7	10200	250TC
	1750	78		8.68	19.0	6589		75		15.9	39.0	12900	
	1160	52		6.04	18.1	5915		49		11.1	37.3	13600	
	875	39		4.67	17.6	7084		37		8.36	36.1	13600	
28	3500	126	27.804	12.89	13.5	6069	210TC	123	28.27	21.2	27.7	10400	250TC
	1750	63		7.19	19.0	6772		61		13.4	39.0	13200	
	1160	42		4.96	18.1	7048		41		9.94	37.3	14800	
	875	31		3.82	17.6	7189		30		7.50	36.1	14800	
32	3500	107	32.779	11.29	13.5	6267	210TC	106	32.97	18.6	27.7	10700	250TC
	1750	53		6.21	19.0	6894		53		11.7	39.0	13500	
	1160	35		4.26	18.1	7134		35		8.68	37.3	15000	
	875	27		3.27	17.6	7257		26		6.55	36.1	15000	
36	3500	98	35.889	10.48	13.5	6367	210TC	96	36.21	17.3	27.7	10900	250TC
	1750	49		5.72	19.0	6954		48		10.9	39.0	13700	
	1160	32		3.91	18.1	7177		32		7.91	37.3	15000	
	875	24		3.00	17.6	7290		24		5.97	36.1	15000	
45	3500	83	42.195	9.14	13.5	6532	210TC	78	44.38	14.5	27.7	11100	250TC
	1750	41		4.93	19.0	7051		39		9.11	39.0	14100	
	1160	27		3.36	18.1	7245		26		6.45	37.3	15000	
	875	21		2.57	17.6	7343		19		4.87	36.1	15000	
50	3500	69	50.691	7.80	13.5	6697	210TC	72	48.46	13.4	27.7	11200	250TC
	1750	35		4.16	19.0	7146		36		8.42	39.0	14200	
	1160	29		2.82	18.1	7312		23		5.92	37.3	15000	
	875	17		2.15	17.6	7394		18		4.46	36.1	15000	
56	3500	62	56.213	7.12	13.5	6781	210TC	62	55.80	11.7	27.7	11300	250TC
	1750	31		3.78	19.0	7194		31		6.97	39.0	13500	
	1160	21		2.56	18.1	7345		20		4.71	37.3	13700	
	875	16		1.95	17.6	7420		15		3.55	36.1	13700	

- CONSULT FACTORY- Thermal ratings are a measure of the units ability to dissipate heat. If they are exceeded the lubrication may breakdown resulting in premature gear failure.

A42	2000HG HELICAL GEAR REDUCERS	STERLING ELECTRIC, INC.
------------	-------------------------------------	------------------------------------

DOUBLE REDUCTION RATING TABLE

Frame Size		H0902						H1002					
Nom. Ratio	Input RPM	Output RPM	Exact Ratio	Max. Input HP	Thermal HP Rating *	In. Lbs. Output Torque	Max NEMA Frame	Output RPM	Exact Ratio	Max. Input HP	Thermal HP Rating *	In. Lbs. Output Torque	Max NEMA Frame
1.8	3500	1718	2.036	146	*	4430	320TC	1737	2.015	249	*	8780	320TC
	1750	859		92.1		5620		868		127		8940	
	1160	569		70		6460		575		83.9		8950	
	875	429		58		7110		434		63.3		8960	
2.2	3500	1533	2.282	125	*	4690	320TC	1597	2.191	238	*	9150	320TC
	1750	766		78.7		5940		798		127		9730	
	1160	508		59.8		6840		529		83.9		9740	
	875	383		49.6		7520		399		63.3		9750	
2.5	3500	1366	2.562	118	*	4950	320TC	1406	2.489	223	*	9710	
	1750	683		74.3		6270		703		127		11100	
	1160	452		56.4		7220		466		83.9		11100	
	875	341		46.8		7940		351		63.3		11100	
2.8	3500	1178	2.969	111	*	7530	320TC	1169	2.992	253	*	13200	
	1750	589		69.8		9570		584		127		13200	
	1160	390		53.1		11000		387		83.9		13200	
	875	294		44		12100		292		63.3		13200	
3.2	3500	1060	3.301	146	*	5570	320TC	1079	3.242	191	*	10800	
	1750	530		92.1		7060		539		120		13700	
	1160	351		70		8120		357		80.7		13900	
	875	265		58		8930		269		60.8		13900	
3.6	3500	933	3.688	89.1	*	5740	320TC	1000	3.500	180	*	11000	320TC
	1750	466		56.2	56.2	7280		500		113	75.7	13900	
	1160	309		42.7	53.6	8360		331		74.7	72.4	13900	
	875	233		35.4	52.0	9200		250		56.3	70.1	13900	
4.0	3500	856	4.088	125	*	8880	320TC	837	4.179	244	*	17800	320TC
	1750	428		78.7		11300		418		127		18500	
	1160	283		59.8		12900		277		83.9		18500	
	875	214		49.6		14200		209		63.3		18500	
4.5	3500	763	4.582	118	*	9410	320TC	770	4.545	232	*	18400	320TC
	1750	381		74.3		11900		385		127		20100	
	1160	253		56.4		13700		255		83.9		20100	
	875	190		46.8		15100		192		63.3		20200	
5.0	3500	690	5.073	125	*	11000	320TC	708	4.938	220	*	18900	320TC
	1750	345		78.7	56.2	14000		354		127	75.7	21800	
	1160	228		59.8	53.6	16000		234		83.9	72.4	21900	
	875	172		49.6	52.0	17700		177		63.3	70.1	21900	
5.6	3500	607	5.686	118	*	11700	320TC	651	5.370	209	*	19600	320TC
	1750	303		74.3	56.2	14800		325		127	75.7	23800	
	1160	201		56.4	53.6	17000		215		83.9	72.4	23800	
	875	151		46.8	52.0	18700		162		63.3	70.1	23800	
6.3	3500	536	6.628	96.6	39.3	11200	320TC	520	6.724	182	52.9	21300	320TC
	1750	268		60.9	55.4	14100		260		112	74.5	26300	
	1160	177		46.3	52.8	16300		172		83.6	71.2	29700	
	875	134		38.4	51.2	17900		130		63.3	68.9	29900	
8.0	3500	419	8.224	96.6	39.3	13900	320TC	440	7.945	163	52.9	22600	320TC
	1750	209		60.5	55.4	17400		220		100	74.5	27800	
	1160	138		45.3	52.8	19700		145		75.1	71.2	31500	
	875	104		37.1	51.2	21500		110		61.6	68.9	34300	
9.0	3500	389	9.188	89.1	39.3	14300	320TC	408	8.578	155	52.9	23200	320TC
	1750	194		56.2	55.4	18100		204		95.5	74.5	28600	
	1160	128		42.2	52.8	20500		135		71.5	71.2	32400	
	875	97		34.6	51.2	22300		102		58.7	68.9	35200	
11	3500	308	11.71	65.5	39.3	13400	320TC	292	11.98	125	52.9	26100	320TC
	1750	154		41.3	55.4	16900		146		76.5	74.5	32100	
	1160	102		31.4	52.8	19500		96		52.7	71.2	33400	
	875	77		26	51.2	21400		73		39.7	68.9	33400	
12	3500	271	12.74	72.0	39.3	16000	320TC	279	12.51	121	52.9	26400	320TC
	1750	135		45.3	55.4	20200		139		74.3	74.5	32500	
	1160	90		34.0	52.8	22900		92		55.7	71.2	36800	
	875	67		27.9	51.2	24900		69		44.6	68.9	39100	
14	3500	237	14.53	65.5	39.3	16600	320TC	247	14.16	112	52.9	27500	320TC
	1750	118		41.3	55.4	21000		123		68.5	74.5	33900	
	1160	78		31.1	52.8	23900		81		51.3	71.2	38400	
	875	59		24.8	51.2	25300		61		39.4	68.9	39100	
16	3500	213	16.59	50.0	39.3	14500	320TC	213	16.43	101	52.9	28900	320TC
	1750	106		31.5	55.4	18300		106		58.1	74.5	33400	
	1160	70		24.0	52.8	21000		70		38.5	71.2	33400	
	875	53		19.9	51.2	23100		53		29.0	68.9	33400	
18	3500	193	18.43	45.5	39.3	14700	320TC	191	18.25	91.9	52.9	29300	320TC
	1750	96		28.7	55.4	18500		95		52.3	74.5	33400	
	1160	64		21.8	52.8	21300		63		34.7	71.2	33400	
	875	48		18.1	51.2	23400		47		26.1	68.9	33400	
20	3500	176	20.59	50.0	39.3	18000	320TC	180	19.41	90.2	52.9	30500	320TC
	1750	88		31.5	55.4	22700		90		55.4	74.5	37600	
	1160	58		23.2	52.8	25300		59		38.2	71.2	39100	
	875	44		17.5	51.2	25300		45		28.8	68.9	39100	
22	3500	150	22.87	45.5	39.3	18200	320TC	162	21.57	84.0	52.9	31600	320TC
	1750	75		28.7	55.4	23000		81		51.6	74.5	38900	
	1160	49		20.9	52.8	25300		53		34.4	71.2	39100	
	875	37		15.8	51.2	25300		40		25.9	68.9	39100	
28	3500	125	28.74	31.4	39.3	15800	320TC	116	29.99	60.8	52.9	31700	320TC
	1750	62		19.8	55.4	19900		58		31.9	74.5	33400	
	1160	41		15.1	52.8	22900		38		21.1	71.2	33400	
	875	31		11.6	51.2	23400		29		15.9	68.9	33400	
32	3500	107	32.31	34.4	39.3	19300	320TC	113	30.76	65.9	52.9	35300	320TC
	1750	53		21.6	55.4	24400		56		36.4	74.5	39100	
	1160	35		14.9	52.8	25300		37		24.1	71.2	39100	
	875	26		11.2	51.2	25300		28		18.2	68.9	39100	

**STERLING
ELECTRIC, INC.****2000HG HELICAL GEAR REDUCERS****A43****DOUBLE REDUCTION RATING TABLE**

Frame Size		H0902						H1002					
Nom. Ratio	Input RPM	Output RPM	Exact Ratio	Max. Input HP	Thermal HP Rating *	In. Lbs. Output Torque	Max NEMA Frame	Output RPM	Exact Ratio	Max. Input HP	Thermal HP Rating *	In. Lbs. Output Torque	Max NEMA Frame
36	3500	98	35.67	31.4	39.3	19500	320TC	98	35.44	59.9	52.9	36900	320TC
	1750	49		19.8	55.4	24700		49		31.6	74.5	39100	
	1160	32		13.4	52.8	25300		32		21	71.2	39100	
	875	24		10.1	51.2	25300		24		15.8	68.9	39100	
40	3500	86	40.25	31.2	39.3	21800	320TC	94	37.06	57.1	52.9	36800	320TC
	1750	43		15.6	55.4	21800		47		28.6	74.5	36800	
	1160	28		10.3	52.8	21800		31		18.9	71.2	36800	
	875	21		7.79	51.2	21800		23		14.3	68.9	36800	
45	3500	78	44.44	28.2	39.3	21800	320TC	81	42.70	49.6	52.9	36800	320TC
	1750	39		14.1	55.4	21800		40		24.8	74.5	36800	
	1160	26		9.35	52.8	21800		27		16.4	71.2	36800	
	875	19		7.05	51.2	21900		20		12.4	68.9	36900	
50	3500	71	49.07	23.7	39.3	20200	320TC	73	47.93	45.2	52.9	37600	320TC
	1750	35		14.8	55.4	25300		36		22.6	74.5	37700	
	1160	23		9.8	52.8	25300		24		15	71.2	37700	
	875	17		7.39	51.2	25300		18		11.3	68.9	37700	
56	3500	63	55.18	19.9	39.3	19100	320TC	67	51.49	38.3	52.9	34200	320TC
	1750	31		9.37	55.4	18000		33		19.2	74.5	34200	
	1160	21		6.02	52.8	17400		22		12.7	71.2	34300	
	875	15		4.46	51.2	17100		16		9.59	68.9	34300	

* CONSULT FACTORY- Thermal ratings are a measure of the units ability to dissipate heat. If they are exceeded the lubrication may breakdown resulting in premature gear failure.

A44

2000HG HELICAL GEAR REDUCERS

STERLING
ELECTRIC, INC.

DOUBLE REDUCTION RATING TABLE

Frame Size		H1302						H1402					
Nom. Ratio	Input RPM	Output RPM	Exact Ratio	Max. Input HP	Thermal HP Rating *	In. Lbs. Output Torque	Max NEMA Frame	Output RPM	Exact Ratio	Max. Input HP	Thermal HP Rating *	In. Lbs. Output Torque	Max NEMA Frame
3.6	3500	961	3.638	304	*	19200	400TC	915	3.822	443	*	29400	400TC
	1750	480		152	96.1	19200		457		222	131.2	29500	
	1160	318		101	91.8	19300		303		147	125.3	29500	
	875	240		75.9	88.9	19300		228		111	121.4	29500	
5.0	3500	694	5.042	304	*	26600	400TC	656	5.333	443	*	41100	400TC
	1750	347		152	96.1	26700		328		222	131.2	41200	
	1160	230		101	91.8	26700		217		147	125.3	41200	
	875	173		75.9	88.9	26700		164		111	121.4	41200	
5.6	3500	631	5.538	304	*	29300	400TC	582	6.005	443	*	46300	400TC
	1750	315		152	96.1	29400		29		222	131.2	46400	
	1160	209		101	91.8	29400		193		147	125.3	46400	
	875	157		75.9	88.9	29400		145		111	121.4	46400	
6.3	3500	563	6.210	304	67.2	33000	400TC	534	6.548	443	91.7	50700	400TC
	1750	281		152	94.6	33000		267		222	129.1	50700	
	1160	186		101	90.3	33000		177		147	123.3	50700	
	875	140		75.9	87.5	33100		133		111	119.4	50700	
8.0	3500	449	7.779	304	67.2	41200	400TC	403	8.667	443	91.7	67000	400TC
	1750	224		152	94.6	41200		201		222	129.1	67000	
	1160	149		101	90.3	41200		133		147	123.3	67000	
	875	112		75.9	87.5	41300		100		111	119.4	67000	
9.0	3500	406	8.618	284	67.2	42700	400TC	363	9.623	437	91.7	73300	400TC
	1750	203		152	94.6	45700		181		222	129.1	74400	
	1160	134		101	90.3	45700		120		147	123.3	74400	
	875	101		75.9	87.5	45700		90		111	119.4	74400	
11	3500	312	11.20	252	67.2	49400	400TC	306	11.43	317	91.7	63100	400TC
	1750	156		134	94.6	52500		153		208	129.1	83000	
	1160	103		88.7	90.3	52500		101		147	123.3	88400	
	875	78		66.9	87.5	52500		76		111	119.4	88400	
12	3500	282	12.39	208	67.2	44900	400TC	262	13.32	347	91.7	80500	400TC
	1750	141		128	94.6	55300		131		195	129.1	90500	
	1160	93		86.2	90.3	56200		87		129	123.3	90500	
	875	70		65.0	87.5	56200		65		97.5	119.4	90500	
14	3500	249	14.03	201	67.2	49200	400TC	231	15.13	317	91.7	83400	400TC
	1750	124		114	94.6	55700		115		174	129.1	91900	
	1160	82		75.4	90.3	55700		76		116	123.3	91900	
	875	62		56.8	87.5	55700		57		87.2	119.4	91900	
16	3500	219	15.97	182	67.2	50800	400TC	213	16.43	240	91.7	68500	400TC
	1750	109		98.4	94.6	54900		106		158	129.1	90300	
	1160	72		65.2	90.3	54900		70		114	123.3	98200	
	875	54		49.2	87.5	54900		53		85.8	119.4	98200	
18	3500	194	18.00	175	67.2	54800	400TC	193	18.11	225	91.7	70700	400TC
	1750	97		87.3	94.6	54900		96		148	129.1	93300	
	1160	64		57.8	90.3	54900		64		103	123.3	98200	
	875	48		43.6	87.5	54900		48		77.8	119.4	98200	
20	3500	174	20.00	144	67.2	50000	400TC	160	21.75	240	91.7	90500	400TC
	1750	87		80.8	94.6	56200		80		124	129.1	93800	
	1160	57		53.5	90.3	56200		53		82.2	123.3	93800	
	875	43		40.4	87.5	56200		40		62.0	119.4	93800	
22	3500	155	22.55	137	67.2	53600	400TC	145	23.97	225	91.7	93400	400TC
	1750	77		71.6	94.6	56200		72		115	129.1	95300	
	1160	51		47.5	90.3	56200		48		75.9	123.3	95300	
	875	38		35.8	87.5	56200		36		57.2	119.4	95300	
28	3500	123	28.35	112	67.2	54900	400TC	134	26.07	152	91.7	74700	400TC
	1750	61		55.8	94.6	54900		67		90.0	129.1	88300	
	1160	40		36.9	90.3	54900		44		59.6	123.3	88300	
	875	30		27.9	87.5	54900		33		45.0	119.4	88300	
32	3500	109	31.89	101	67.2	55700	400TC	101	34.51	158	91.7	94300	400TC
	1750	54		50.9	94.6	56200		50		79.0	129.1	94300	
	1160	36		33.7	90.3	56200		33		52.3	123.3	94300	
	875	27		25.4	87.5	56200		25		39.5	119.4	94300	
36	3500	98	35.52	91.6	67.2	56200	400TC	93	37.39	148	91.7	95600	400TC
	1750	49		45.8	94.6	56200		46		73.8	129.1	95600	
	1160	32		30.3	90.3	56200		31		48.9	123.3	95600	
	875	24		22.9	87.5	56200		23		36.9	119.4	95600	
45	3500	80	43.45	71.0	67.2	53200	320TC	81	42.71	112	91.7	82600	400TC
	1750	40		38.2	94.6	57200		40		59.1	129.1	87200	
	1160	26		25.3	90.3	57200		27		40.2	123.3	89500	
	875	20		19.1	87.5	57200		20		30.3	119.4	89500	
50	3500	71	48.63	59.5	67.2	50100	320TC	68	51.27	81.1	91.7	71900	320TC
	1750	35		29.7	94.6	50100		34		40.6	129.1	72000	
	1160	23		19.7	90.3	50100		22		26.9	123.3	72000	
	875	17		14.9	87.5	50100		17		20.3	119.4	72000	
56	3500	67	51.74	59.5	67.2	53300	320TC	60	57.52	75.2	91.7	74700	320TC
	1750	33		29.7	94.6	53300		30		37.6	129.1	74700	
	1160	22		19.7	90.3	53300		20		24.9	123.3	74800	
	875	16		14.9	87.5	53400		15		18.8	119.4	74800	

* CONSULT FACTORY- Thermal ratings are a measure of the units ability to dissipate heat. If they are exceeded the lubrication may breakdown resulting in premature gear failure.

STERLING
ELECTRIC, INC.
2000HG HELICAL GEAR REDUCERS
A45
TRIPLE REDUCTION RATING TABLE

Frame Size			G0703				G0803				H0903			
Nom. Ratio	Input RPM	Nom. Output RPM	Exact Ratio	Max. Input HP	In. Lbs. Output Torque	Max NEMA Frame	Exact Ratio	Max. Input HP	In. Lbs. Output Torque	Max NEMA Frame	Exact Ratio	Max. Input HP	In. Lbs. Output Torque	Max NEMA Frame
56.0	3500	59	58.95	5.41	5450	250TC	60.33	10.7	10900	250TC	59.85	17.2	17600	320TC
	1750	29		3.11	6310			6.48	13400			10.5	21600	
	1160	19		2.35	7190			4.80	15000			7.49	23400	
	875	14		1.89	7680			3.62	15000			5.64	23400	
63.0	3500	54	62.83	5.14	5520	250TC	66.02	9.98	11200	250TC	66.49	15.9	18100	320TC
	1750	27		2.96	6400			6.08	13800			9.73	22300	
	1160	17		2.25	7340			4.39	15000			6.75	23400	
	875	13		1.77	7680			3.31	15000			5.08	23400	
71.0	3500	49	74.47	4.50	5720	250TC	74.69	9.14	11600	250TC	74.26	15.5	19600	320TC
	1750	24		2.65	6780			5.58	14300			9.45	24200	
	1160	16		1.99	7680			3.88	15000			6.54	25300	
	875	12		1.50	7680			2.92	15000			4.93	25300	
80.0	3500	42	79.51	4.27	5800	250TC	84.31	8.39	12000	250TC	82.51	14.4	20300	320TC
	1750	21		2.53	6920			5.12	14800			8.78	24900	
	1160	13		1.86	7680			3.44	15000			5.89	25300	
	875	10		1.40	7680			2.59	15000			4.44	25300	
100	3500	35	98.66	3.60	6070	250TC	102.2	7.33	12700	250TC	103.7	11.6	20700	320TC
	1750	17		2.20	7440			4.29	15000			6.54	23400	
	1160	11		1.50	7680			2.84	15000			4.33	23400	
	875	8		1.13	7680			2.14	15000			3.26	23400	
112	3500	30	116.3	3.16	6290	250TC	119.2	6.58	13300	250TC	116.5	11.3	22500	320TC
	1750	15		1.92	7680			3.68	15000			6.31	25300	
	1160	9		1.27	7680			2.44	15000			4.17	25300	
	875	7		.961	7680			1.84	15000			3.15	25300	
125	3500	27	127.4	2.96	6430	250TC	130.9	6.16	13700	250TC	128.7	10.5	23200	320TC
	1750	13		1.76	7680			3.35	15000			5.71	25300	
	1160	8		1.16	7680			2.22	15000			3.78	25300	
	875	6		.878	7680			1.67	15000			2.85	25300	
160	3500	22	156.1	2.58	6880	250TC	160.4	5.33	14600	250TC	160.3	8.01	21800	320TC
	1750	11		1.44	7680			2.73	15000			3.98	21900	
	1160	7		.952	7680			1.81	15000			2.63	21900	
	875	5		.731	7830			1.36	15000			1.98	21900	
180	3500	19	174.0	2.40	7140	250TC	175.2	5.01	15000	250TC	177.0	8.35	25300	320TC
	1750	9		1.29	7680			2.51	15000			4.16	25300	
	1160	6		.855	7680			1.66	15000			2.75	25300	
	875	4		.659	7860			1.25	15000			2.07	25300	
200	3500	17	195.2	2.23	7410	250TC	201.8	4.38	15000	250TC	199.0	7.44	25300	320TC
	1750	8		1.15	7680			2.18	15000			3.71	25300	
	1160	5		.773	77780			1.45	15000			2.45	25300	
	875	4		.589	7860			1.11	15300			1.85	25300	
225	3500	15									220.5	5.83	21900	320TC
	1750	8										2.90	21900	
	1160	5										1.92	21900	
	875	4										1.45	21900	
250	3500	14									248.0	5.19	21900	320TC
	1750	7										2.58	21900	
	1160	4										1.71	21900	
	875	3										1.29	21900	

A46**2000HG HELICAL GEAR REDUCERS****STERLING
ELECTRIC, INC.****TRIPLE REDUCTION RATING TABLE**

Frame Size			H1003				H1303				H1403			
Nom. Ratio	Input RPM	Nom. Output RPM	Exact Ratio	Max. Input HP	In. Lbs. Output Torque	Max NEMA Frame	Exact Ratio	Max. Input HP	In. Lbs. Output Torque	Max NEMA Frame	Exact Ratio	Max. Input HP	In. Lbs. Output Torque	Max NEMA Frame
56.0	3500	59	60.23	27.1	27800	320TC	56.93	44.7	43500	320TC	59.46	70.6	71600	320TC
	1750	29		16.1	33400			27.0	52900			44.0	89700	
	1160	19		10.7	33400			18.5	54900			31.4	96700	
	875	14		8.02	33400			14.0	54900			24.0	98200	
63.0	3500	54	66.93	25.4	29100	320TC	64.17	40.5	44500	320TC	65.55	66.6	74500	320TC
	1750	27		14.5	33400			24.0	52900			40.7	91500	
	1160	17		9.59	33400			16.4	54900			28.9	98200	
	875	13		7.22	33400			12.4	54900			21.8	98200	
71.0	3500	49	71.17	25.1	30400	320TC	71.32	41.6	50600	320TC	78.7	70.6	94600	320TC
	1750	24		15.3	37500			23.0	56200			36.2	97300	
	1160	16		10.6	39100			15.2	56200			23.9	97300	
	875	12		7.95	39100			11.5	56200			18.1	97300	
80.0	3500	42	79.08	23.3	31400	320TC	80.39	37.8	51700	320TC	86.76	65.9	97300	320TC
	1750	21		14.2	38700			20.4	56200			32.8	97300	
	1160	13		9.5	39100			13.5	56200			21.7	97300	
	875	10		7.16	39100			10.2	56200			16.4	97300	
100	3500	35	110.0	17.7	32400	320TC	101.1	30.0	51700	320TC	102.2	50.5	88100	320TC
	1750	17		8.83	33400			15.9	54900			28.1	98200	
	1160	11		5.84	33400			10.5	54900			18.6	98200	
	875	8		4.40	33400			7.92	54900			14.0	98200	
112	3500	30	112.8	18.1	35000	320TC	113.7	28.6	55200	320TC	124.9	45.9	97300	320TC
	1750	15		10.1	39100			14.5	56200			22.9	97300	
	1160	9		6.67	39100			9.59	56200			15.1	97300	
	875	7		5.02	39100			7.23	56200			11.4	97300	
125	3500	27	129.9	16.4	36500	320TC	126.6	26.1	56200	320TC	135.3	42.3	97300	320TC
	1750	13		8.75	39100			13.0	56200			21.1	97300	
	1160	8		5.79	39100			8.62	56200			14.0	97300	
	875	6		4.36	39100			6.50	56200			10.5	97300	
160	3500	22	156.6	13.8	36800	320TC	154.9	21.8	57200	320TC	154.6	34.2	89500	320TC
	1750	11		6.88	36900			10.9	57200			17.0	89500	
	1160	7		4.55	36900			7.2	57200			11.3	89500	
	875	5		3.43	36900			5.42	57200			8.50	89500	
180	3500	19	175.7	13.0	39100	320TC	173.4	19.0	56200	320TC	185.6	30.8	89500	320TC
	1750	9		6.48	39100			9.49	56200			15.4	89500	
	1160	6		4.29	39100			6.28	56200			10.2	89500	
	875	4		3.23	39100			4.74	56200			7.67	89500	
200	3500	17	188.8	12.1	39100	320TC	184.5	17.9	56200	320TC	208.2	27.5	97300	320TC
	1750	8		6.04	39100			8.91	56200			13.7	97300	
	1160	5		4.00	39100			5.90	56200			9.09	97300	
	875	4		3.02	39100			4.45	56200			6.85	97300	
225	3500	15	211.8	10.2	36900	320TC	212.1	15.9	57200	320TC	212.0	24.9	89500	320TC
	1750	8		5.09	36900			7.92	57200			12.4	89500	
	1160	5		3.37	36900			5.24	57200			8.22	89500	
	875	4		2.59	37600			3.95	57200			6.19	89500	
250	3500	14	227.5	9.53	36900	320TC	225.6	14.9	57200	320TC	237.8	22.2	89500	320TC
	1750	7		4.75	36900			7.44	57200			11.1	89500	
	1160	4		3.14	36900			4.92	57200			7.34	89500	
	875	3		2.43	37800			3.71	57200			5.53	89500	

STERLING
ELECTRIC, INC.
2000HG HELICAL GEAR REDUCERS
A47
SELECTION and PRICING – REDUCER ONLY

Cast Iron Construction
C-Face Input Style
DOUBLE Reduction – Foot Mounted

Base Model Number	Motor Mounting								Sterli-Seal® Washdown Addition •
	56C	143/145TC	182/184TC	213/215TC	254/256TC	284/286TC	324/326TC	364/365TC	
R0402AC	\$ 976	\$ 976	\$ 976						\$ 78.00
R0602AC	\$1,246	\$1,246	\$1,366	\$1,394					\$100.00
R0702AC	\$1,968	\$1,968	\$1,968	\$2,612	\$2,996				\$ 118.00
G0802AC	\$2,920	\$2,920	\$2,920	\$2,920	\$3,160				\$ 146.00
H0902AC			\$4,796	\$4,796	\$5,900	\$6,906	\$7,640		\$ 240.00
H1002AC			\$7,916	\$8,260	\$8,260	\$8,310	\$10,036		\$ 396.00
H1302AC			\$12,104	\$12,340	\$12,656	\$12,656	\$14,380	\$14,696	\$ 605.00
H1402AC			\$15,620	\$15,850	\$16,320	\$16,320	\$18,210	\$18,210	\$ 780.00

Stainless Steel
DOUBLE Reduction – Foot Mounted

Base Model Number	Motor Mounting							
	56C	143/145TC	182/184TC	213/215TC	254/256TC	284/286TC	324/326TC	364/365TC
SSR0402AC	\$ 2482	\$ 2482	\$ 2684					
SSR0602AC	\$ 3008	\$ 3008	\$ 3210	\$ 3210				
SSR0702AC			\$ 6555	\$ 6555	\$ 6555			

Cast Iron Construction
C-Face Input Style
TRIPLE Reduction – Foot Mounted

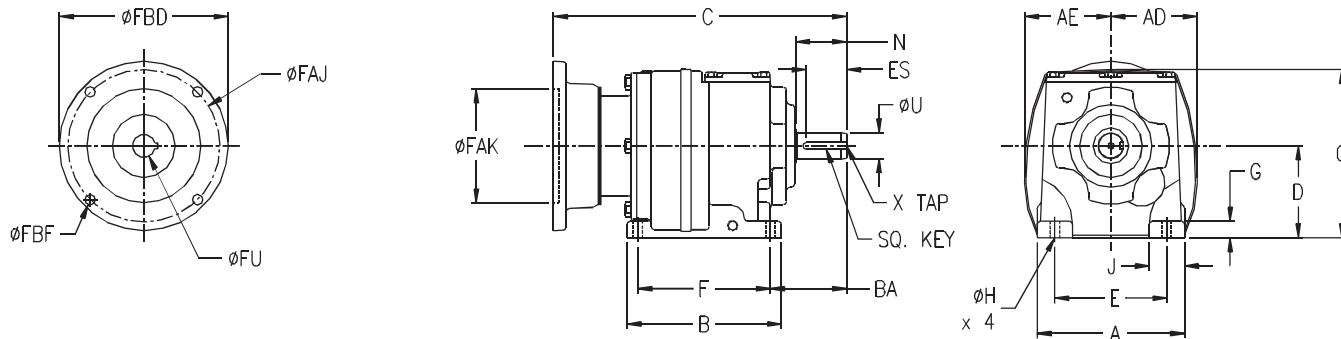
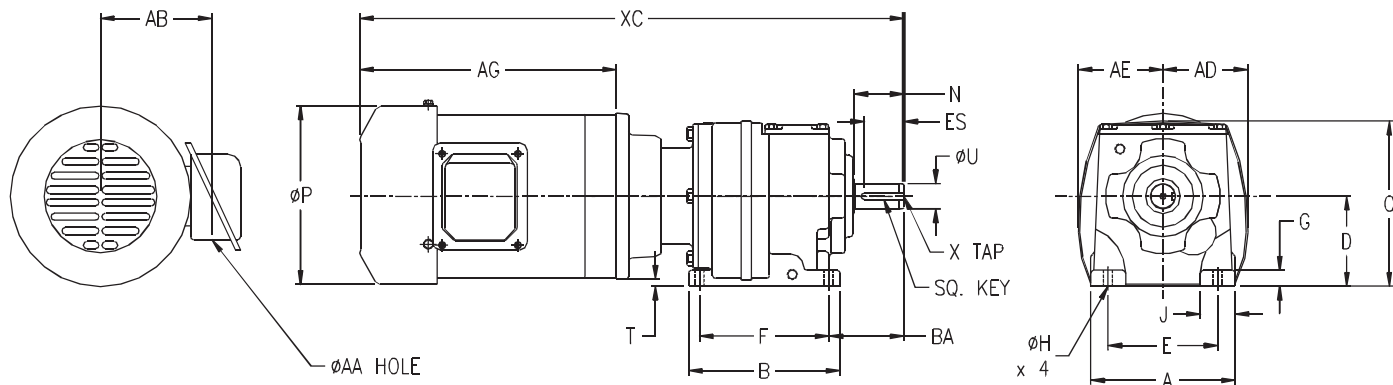
Base Model Number	Motor Mounting							Sterli-Seal® Washdown Addition •
	56C	182/184TC	213/215TC	254/256TC	284/286TC	324/326TC	364/365TC	
G0703AC	\$2,348	\$2,450						\$ 118.00
G0803AC	\$3,192	\$3,318	\$3,318					\$ 146.00
H0903AC	\$5,316	\$5,316						\$ 240.00
H1003AC		\$8,624	\$8,970	\$8,970	\$9,020			\$ 396.00
H1303AC		\$13,220	\$13,452	\$13,768	\$13,768	\$15,492	\$15,808	\$ 605.00
H1403AC		\$16,884	\$17,120	\$17,596	\$17,596	\$19,316	\$19,476	\$ 780.00

Cast Iron Construction
Solid Input Shaft Style

Double Reduction			Triple Reduction	Sterli-Seal® Washdown Addition •
Base Model Number	List Price	Base Model Number	List Price	List Price
R0402AR	\$ 966			\$ 78.00
R0602AR	\$1,234			\$100.00
R0702AR	\$1,952	G0703AR	\$2,560	\$ 118.00
G0802AR	\$2,858	G0803AR	\$3,150	\$ 146.00
H0902AR	\$5,060	H0903AR	\$5,628	\$ 240.00
H1002AR	\$7,976	H1003AR	\$8,676	\$ 396.00
H1302AR	\$12,144	H1303AR	\$13,256	\$ 605.00
H1402AR	\$16,252	H1403AR	\$17,520	\$ 780.00

- Optional Silver Freeze (Stainless Pigment) Paint List Price Frame

R0402	R0602	\$28.00
R0702/G0703	G0802/G0803	\$46.00
H0902/H0903	H1302/H1003	\$74.00

A48**2000HG HELICAL REDUCERS / GEARMOTORS****STERLING
ELECTRIC, INC.****STYLE AC – Smooth Body Motor DOUBLE REDUCTION****FOOT MOUNTED
C-FACE INPUT REDUCER****GEARMOTOR****COMMON DIMENSIONS**

Unit	A	B	D	E	F	G	H	J	N	O	U	Sq. Key
R0402AC	5.710	5.980	3.540	4.330	5.120	0.63	0.39	1.38	1.97	6.500	1.000	.25
R0602AC	7.480	7.875	4.530	5.320	6.500	0.79	0.59	2.17	2.76	8.210	1.375	.31
R0702AC	9.060	9.650	5.510	6.690	8.070	0.98	0.75	2.36	3.15	11.61	1.625	.38
G0802AC	11.42	12.20	7.090	8.460	10.24	1.38	0.75	2.95	3.94	14.17	2.125	.50
H0902AC	13.39	14.37	8.860	9.840	12.20	1.57	0.91	3.54	4.72	17.05	2.375	.62
H1002AC	15.75	17.32	9.840	11.42	14.57	1.77	1.06	4.33	5.51	19.88	2.875	.75

Unit	AD	AE	BA	ES	X-Tap
R0402AC	3.350	3.350	2.950	1.28	1/4-unF
R0602AC	4.270	3.890	3.940	2.38	3/8-unF
R0702AC	5.230	4.690	4.59	2.38	5/8-unF
G0802AC	6.030	6.570	5.510	2.75	3/4-unF
H0902AC	6.780	7.870	6.300	3.69	3/4-unF
H1002AC	7.990	8.860	7.280	4.62	3/4-unF

STYLE AC – Smooth Body Motor DOUBLE REDUCTION

This Drawing Applies to all:

Standard Efficient TEFC Gearmotors, Fractional Horsepower through 10HP,
 Sterli-Seal ® Standard Efficient Washdown Duty Fractional Horsepower through 10HP
 Sterli-Seal ® SSR2000 Series Stainless Steel Gearmotors Fractional through 10HP
 Inverter Duty (10:1 Constant Torque) Fractional Horsepower
 Inverter Duty (10:1 Constant Torque) Sterli-Seal ® Washdown Duty Fractional Horsepower

REDUCER ONLY

Unit Size	C Dimension								
	Motor Frame								
	56C	143TC 145TC	182TC 184TC	213TC 215TC	254TC 256TC	284TC 286TC	324TC 326TC	364TC 365TC	
R0402AC	11.34	11.34	11.44						
R0602AC	13.60	13.60	14.03	14.03					
R0702AC	16.57	16.57	16.57	16.57	16.57				
G0802AC	18.86	18.86	18.86	18.86	18.86				
H0902AC			20.63	20.63	22.20	22.94	22.95		
H1002AC			25.52	25.52	25.16	25.28	25.91		

GEARMOTOR

Unit Size	XC Dimension									
	Horsepower Motor									
	.33HP	.50HP	.75HP	1HP	1.5HP	2HP	3HP	5HP	7.5HP	10HP
R0402AC	20.63	21.85	22.25	23.35	23.35	23.92	24.80	26.18	N/A	N/A
R0602AC	22.89	24.11	24.51	25.61	25.61	26.18	27.39	28.77	28.91	30.12
R0702AC	25.86	27.08	27.48	28.58	28.58	29.15	29.93	31.31	31.45	32.66
G0802AC	28.10	29.32	29.72	30.82	30.82	31.39	32.22	33.60	33.74	34.95
H0902AC							33.99	35.37	35.51	36.72
H1002AC							38.8	40.26	40.40	41.61

Unit Size	T* Dimension									
	Horsepower Motor									
	.33HP	.50HP	.75HP	1HP	1.5HP	2HP	3HP	5HP	7.5HP	10HP
R0402AC	0.28	0.28	0.28	0.09	0.09	0.09	-0.96	-0.96	N/A	N/A
R0602AC	1.30	1.30	1.30	1.05	1.05	1.05	0.03	0.03	-0.55	-0.55
R0702AC	2.26	2.26	2.26	1.95	1.95	1.95	1.26	1.26	-0.39	-0.39
G0802AC	3.84	3.84	3.84	3.53	3.53	3.53	2.84	2.84	1.19	1.19
H0902AC							4.61	4.61	2.96	2.96
H1002AC							5.59	5.59	3.94	3.94

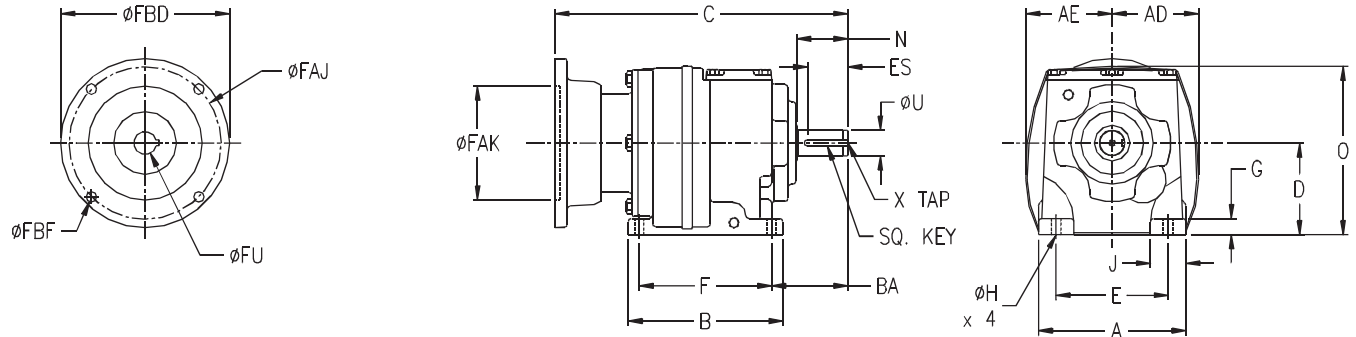
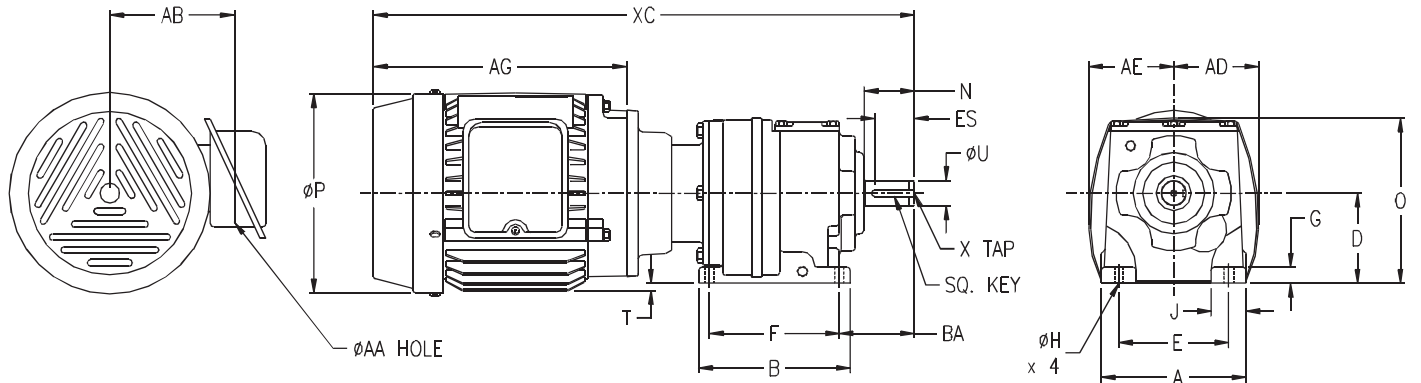
*Negative T dimension indicates motor hangs below reducer mounting base.

MOTOR ONLY

Motor Frame	HP Motor	FU	Kwy	P	AA	AB	AG	FAK	FAJ	FBD	FBF
56C	.33	0.625	.19	6.500	1.1	5.53	9.29	4.500	5.88	6.50	0.41
56C	.50	0.625	.19	6.500	1.1	5.53	10.51	4.500	5.88	6.50	0.41
56C	.75	0.625	.19	6.500	1.1	5.53	10.91	4.500	5.88	6.50	0.41
56C	1	0.625	.19	7.130	1.1	5.53	12.01	4.500	5.88	6.50	0.41
56C	1.5	0.625	.19	7.130	1.1	5.53	12.01	4.500	5.88	6.50	0.41
56C	2	0.625	.19	7.130	1.1	5.53	12.40	4.500	5.88	6.50	0.41
143TC	1	0.875	.19	7.130	1.1	5.53	12.01	4.500	5.88	6.50	0.41
145TC	1.5	0.875	.19	7.130	1.1	5.53	12.01	4.500	5.88	6.50	0.41
145TC	2	0.875	.19	7.130	1.1	5.53	12.58	4.500	5.88	6.50	0.41
182TC	3	1.125	.25	8.500	1.1	6.46	13.36	8.500	7.25	9.00	0.53
184TC	5	1.125	.25	8.500	1.1	6.46	14.74	8.500	7.25	9.00	0.53
213TC	7.5	1.375	.31	11.80	1.38	7.64	14.88	8.500	7.25	9.00	0.53
215TC	10	1.375	.31	11.80	1.38	7.64	16.09	8.500	7.25	9.00	0.53

Motor only length based on maximum length for a given Hp and frame size.

A50

2000HG HELICAL REDUCERS / GEARMOTORS**STERLING
ELECTRIC, INC.****STYLE AC – Cast Iron Ribbed Body Motor DOUBLE REDUCTION****FOOT MOUNTED
C-FACE INPUT REDUCER****GEARMOTOR****COMMON DIMENSIONS**

Unit	A	B	D	E	F	G	H	J	N	O	U	Sq. Key
R0402AC	5.710	5.980	3.540	4.330	5.120	0.63	0.39	1.38	1.97	7.090	1.000	.25
R0602AC	7.480	7.880	4.530	5.310	6.500	0.79	0.59	2.17	2.76	8.190	1.375	.31
R0702AC	9.060	9.650	5.510	6.690	8.070	0.98	0.75	2.36	3.15	11.61	1.625	.38
G0802AC	11.42	12.20	7.090	8.460	10.24	1.38	0.75	2.95	3.94	14.17	2.125	.50
H0902AC	13.39	14.37	8.860	9.840	12.20	1.57	0.91	3.54	4.72	17.05	2.375	.62
H1002AC	15.75	17.32	9.840	11.42	14.57	1.77	1.06	4.33	5.51	19.88	2.875	.75
H1302AC	17.72	19.29	10.43	13.39	16.14	1.97	1.34	4.33	6.69	22.17	3.625	.88
H1402AC	20.88	23.23	11.81	14.96	19.69	1.97	1.61	5.91	8.27	24.80	4.000	1.0

Unit	AD	AE	BA	ES	X-Tap
R0402AC	3.380	3.310	2.950	1.28	1/4-unF
R0602AC	4.210	3.820	3.940	2.38	3/8-unF
R0702AC	5.230	4.690	4.590	2.38	5/8-unF
G0802AC	6.030	6.570	5.510	2.75	3/4-unF
H0902AC	6.780	7.870	6.300	3.69	3/4-unF
H1002AC	7.990	8.860	7.280	4.62	3/4-unF
H1302AC	8.970	9.530	8.660	5.94	1-unF
H1402AC	10.56	10.94	10.24	7.50	1-unF

**STERLING
ELECTRIC, INC.**
2000HG HELICAL REDUCERS / GEARMOTORS
A51
STYLE AC – Cast Iron Ribbed Body Motor DOUBLE REDUCTION
This Drawing Applies to all:

Premium Efficient TEFC Gearmotors, 1 Horsepower through 75HP,
 Sterli-Seal ® Premium Efficient Washdown Duty, 1 Horsepower through 75HP
 Inverter Duty (10:1 Constant Torque) TEFC Gearmotors, 1 Horsepower through 75HP
 Inverter Duty (10:1 Constant Torque) Sterli-Seal ® Washdown Duty, 1 Horsepower through 75HP

REDUCER ONLY

Unit Size	C Dimension						
	Motor Frame						
	143TC 145TC	182TC 184TC	213TC 215TC	254TC 256TC	284TC 286TC	324TC 326TC	364TC 365TC
R0402AC							
R0602AC							
R0702AC				16.57			
G0802AC				18.86			
H0902AC				22.20	22.94	22.95	
H1002AC				25.16	25.28	25.91	
H1302AC				28.46	28.58	29.21	35.91
H1402AC				33.00	33.12	33.75	40.44

GEARMOTOR

Unit Size	XC Dimension											
	Motor Frame											
	143TC	145TC	182TC	184TC	213TC	215TC	254TC	256TC	284TC	286TC	324TC	326TC
R0402AC												
R0602AC						29.34						
R0702AC						31.43	34.03	35.78				
G0802AC						34.03	36.62	38.38				
H0902AC						37.17	41.12	42.88	45.62	47.12	46.53	48.02
H1002AC						40.32	44.09	45.84	47.96	49.46	49.49	50.98
H1302AC						44.80	47.38	49.14	51.26	52.76	52.79	54.28
H1402AC						49.34	51.93	53.68	55.80	57.30	57.33	58.82

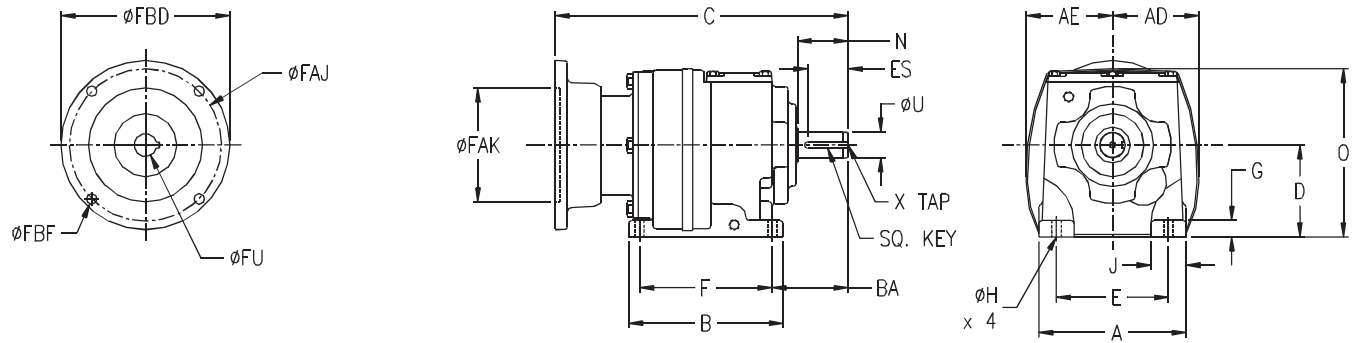
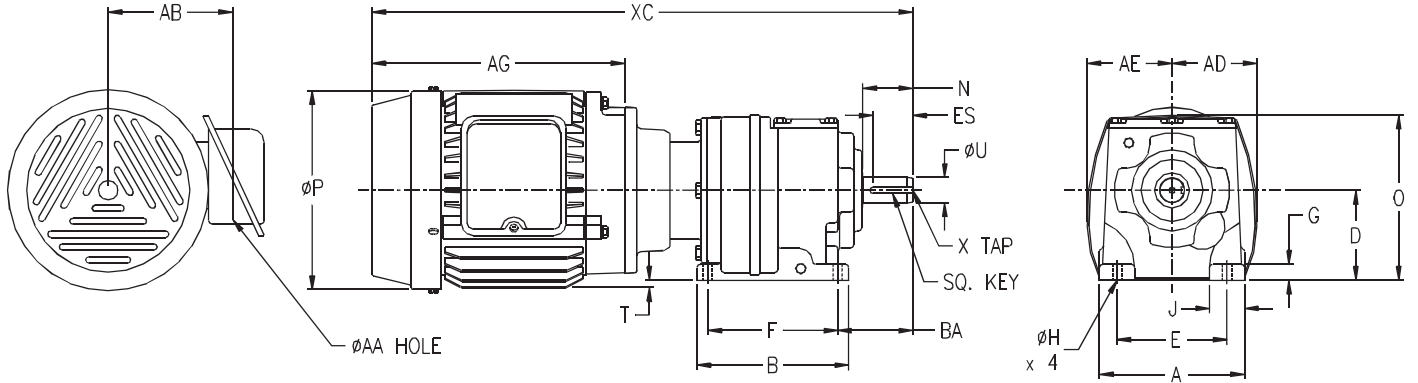
Unit Size	XC Dimension		T* Dimension							
			Motor Frame							
	364TC	365TC	143TC 145TC	182TC 184TC	213TC 215TC	254TC 256TC	284TC 286TC	324TC 326TC	364TC 365TC	
R0402AC										
R0602AC										
R0702AC						-1.28				
G0802AC						0.30				
H0902AC						2.07	2.16	1.36		
H1002AC						3.17	3.14	2.34		
H1302AC	62.59	67.12				3.76	3.73	2.93	1.68	
H1402AC	63.59	68.12				5.14	5.11	4.31	3.06	

*Negative T dimension indicates motor hangs below reducer mounting base.

MOTOR ONLY

Motor Frame	FU	Kwy	P	AA	AB	AG	FAK	FAJ	FBD	FBF
143TC										
145TC										
182TC										
184TC										
213TC										
215TC										
254TC	1.625	.38	13.58	2.05	11.00	19.70	8.50	7.25	10.00	.53
256TC	1.625	.38	13.58	2.05	11.00	21.45	8.50	7.25	10.00	.53
284TC	1.875	.50	15.51	2.36	13.40	22.23	10.5	9.00	11.25	.53
286TC	1.875	.50	15.51	2.36	13.40	23.73	10.5	9.00	11.25	.53
324TC	2.125	.50	16.70	2.36	15.00	26.70	12.5	11.0	14.00	.66
326TC	2.125	.50	16.70	2.36	15.00	28.30	12.5	11.0	14.00	.66
364TC	2.375	.63	18.10	2.36	17.50	28.08	12.5	11.0	14.00	.66
365TC	2.375	.63	18.10	2.36	17.50	31.48	12.5	11.0	14.00	.66

A52

2000HG HELICAL REDUCERS / GEARMOTORS**STERLING
ELECTRIC, INC.****STYLE AC - TRIPLE REDUCTION****FOOT MOUNTED
C-FACE INPUT REDUCER****GEARMOTOR****COMMON DIMENSIONS**

Unit	A	B	D	E	F	G	H	J	N	O	U	Sq. Key
G0703AC	9.060	9.650	5.510	6.690	8.070	0.98	0.75	2.36	3.15	11.61	1.625	.38
G0803AC	11.42	12.20	7.090	8.460	10.24	1.38	0.75	2.95	3.94	14.17	2.125	.50
H0903AC	13.39	14.37	8.860	9.840	12.20	1.57	0.91	3.54	4.72	17.05	2.375	.62
H1003AC	15.75	17.32	9.840	11.42	14.57	1.77	1.06	4.33	5.51	19.88	2.875	.75
H1303AC	17.72	19.29	10.43	13.39	16.14	1.97	1.34	4.33	6.69	22.17	3.625	.88
H1403AC	20.87	23.23	11.81	14.96	19.69	1.97	1.61	5.91	8.27	24.80	4.000	1.0

Unit	AD	AE	BA	ES	FD	X-Tap
G0703AC	5.120	4.690	4.590	2.38	7.880	5/8-unF
G0803AC	6.030	6.570	5.510	2.75	7.090	3/4-unF
H0903AC	6.780	7.870	6.300	3.69	8.860	3/4-unF
H1003AC	7.990	8.860	7.280	4.62	9.840	3/4-unF
H1303AC	8.970	9.530	8.660	5.94	10.43	1-unF
H1403AC	10.56	10.94	10.24	7.50	11.81	1-unF



2000HG HELICAL REDUCERS / GEARMOTORS

A53

STYLE AC - TRIPLE REDUCTION

REDUCER ONLY

Unit Size	C Dimension							
	Motor Frame							
	56C	143TC 145TC	182TC 184TC	213TC 215TC	254TC 256TC	284TC 286TC	324TC 326TC	364TC 365TC
G0703AC	17.41	17.41	19.03					
G0803AC	18.23	18.23	19.02					
H0903AC	21.89	21.89	21.89					
H1003AC			25.71	25.71	27.09	27.20	27.83	
H1303AC			30.91	30.91	30.91	31.02	31.65	
H1403AC			35.83	35.83	35.83	35.94	36.57	

GEARMOTOR

Unit Size	XC Dimension												
	Motor Frame												
	56C	143TC	145TC	182TC	184TC	213TC	215TC	254TC	256TC	284TC	286TC	324TC	326TC
G0703AC	29.80	29.80	29.80	32.39	33.77								
G0803AC	30.63	30.63	30.63	32.38	33.76								
H0903AC	34.29	34.29	34.29	35.25	36.63								
H1003AC				39.07	40.45	40.59	41.80	49.79	48.54	49.43	50.93	54.58	56.13
H1303AC				44.27	45.65	45.79	47.00	50.61	52.36	53.25	54.75	58.35	59.95
H1403AC				49.19	50.57	50.71	51.92	55.53	57.28	58.17	59.67	63.27	64.87

Note: 56C through 215TC are rolled steel construction. 254TC through 326TC are cast iron construction

Unit Size	XC Dimension		T* Dimension							
			Motor Frame							
	364TC	365TC	56C	143TC 145TC	182TC 184TC	213TC 215TC	254TC 256TC	284TC 286TC	324TC 326TC	364TC 365TC
G0703AC			4.23	3.94	3.46					
G0803AC			3.43	3.15	2.66					
H0903AC			5.20	4.92	4.43					
H1003AC					5.41	4.21	3.17	3.14	2.34	
H1303AC					6.00	4.80	3.76	3.73	2.93	
H1403AC					7.38	6.18	5.14	5.11	4.31	

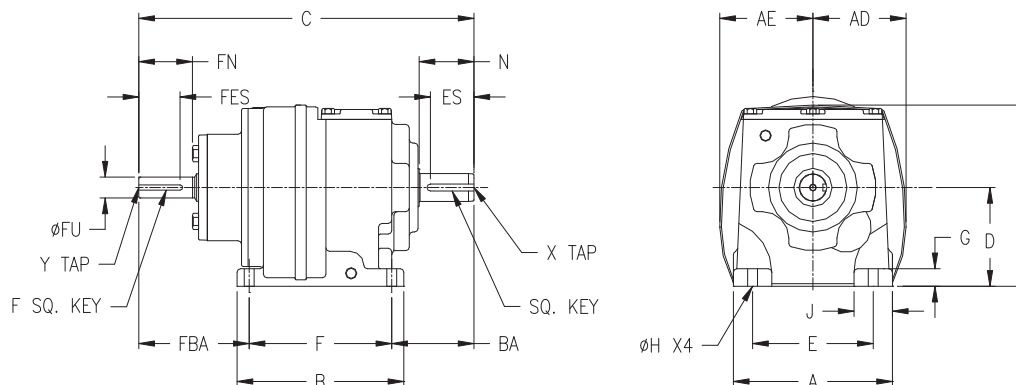
*Negative T dimension indicates motor hangs below reducer mounting base.

MOTOR ONLY

Motor Frame	FU	Kwy	P	AA	AB	AG	FAK	FAJ	FBD	FBF
56C	0.625	.19	7.13	1.12	5.53	12.40	4.50	5.88	6.500	.41
143TC	0.875	.19	7.13	0.86	5.53	12.40	4.50	5.88	6.500	.41
145TC	0.875	.19	7.13	0.86	5.53	12.40	4.50	5.88	6.500	.41
182TC	1.125	.25	8.50	0.90	6.46	13.36	8.50	7.25	9.000	.53
184TC	1.125	.25	8.50	0.90	6.46	14.74	8.50	7.25	9.000	.53
213TC	1.375	.31	11.80	1.10	7.64	14.88	8.50	7.25	9.000	.53
215TC	1.375	.31	11.80	1.10	7.64	16.09	8.50	7.25	9.000	.53
254TC	1.625	.38	13.58	2.05	11.00	19.70	8.50	7.25	10.00	.53
256TC	1.625	.38	13.58	2.05	11.00	21.45	8.50	7.25	10.00	.53
284TC	1.875	.50	15.51	2.36	13.40	22.23	10.5	9.00	11.25	.53
286TC	1.875	.50	15.51	2.36	13.40	23.73	10.5	9.00	11.25	.53
324TC	2.125	.50	16.70	2.36	15.00	26.70	12.5	11.0	14.00	.66
326TC	2.125	.50	16.70	2.36	15.00	28.30	12.5	11.0	14.00	.66
364TC	2.375	.63	18.10	2.36	17.50	28.08	12.5	11.0	14.00	.66
365TC	2.375	.63	18.10	2.36	17.50	31.48	12.5	11.0	14.00	.66

Note: 56C through 215TC are rolled steel construction. 254TC through 326TC are cast iron construction

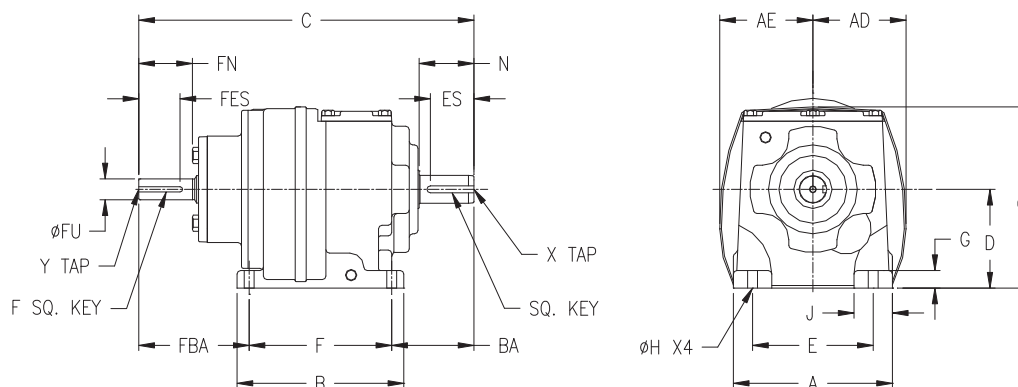
A54

2000HG HELICAL GEAR REDUCERS**STERLING
ELECTRIC, INC.****STYLE AR - DOUBLE REDUCTION****FOOT MOUNTED
SHAFT INPUT REDUCERS****COMMON DIMENSIONS**

Unit	A	B	C	D	E	F	G	H	J	N	O	U
R0402A	5.710	5.980	12.48	3.540	4.330	5.120	0.63	0.39	1.38	1.97	7.09	1.000
R0602A	7.480	7.880	14.53	4.530	5.310	6.500	0.79	0.59	2.17	2.76	8.19	1.375
R0702A	9.060	9.650	17.32	5.510	6.690	8.070	0.98	0.75	2.36	3.15	11.61	1.625
G0802A	11.42	12.20	21.85	7.090	8.460	10.24	1.38	0.75	2.95	3.94	14.17	2.125
H0902A	13.39	14.37	25.98	8.860	9.840	12.20	1.57	0.91	3.54	4.72	17.05	2.375
H1002A	15.75	17.32	30.79	9.840	11.42	14.57	1.77	1.06	4.33	5.51	19.88	2.875
H1302A	17.72	19.29	35.71	10.43	13.39	16.14	1.97	1.34	4.33	6.69	22.17	3.625
H1402A	20.88	23.23	40.24	11.81	14.96	19.69	1.97	1.61	5.91	8.27	24.80	4.000

Unit	Sq. Key	AD	AE	BA	ES	FN	FU	Sq. F-Key	FBA	FES
R0402A	.25	3.380	3.310	2.950	1.28	1.57	.6250	.19	4.410	1.28
R0602A	.31	4.210	3.820	3.940	2.38	1.57	.7500	.19	4.490	1.28
R0702A	.38	5.230	4.690	4.590	2.38	1.97	.8750	.19	4.720	1.28
G0802A	.50	6.030	6.570	5.510	2.75	2.36	1.125	.25	6.100	2.00
H0902A	.62	6.780	7.870	6.300	3.69	3.15	1.375	.31	7.480	2.40
H1002A	.75	7.990	8.860	7.280	4.62	4.33	1.625	.38	8.940	3.69
H1302A	.88	8.970	9.530	8.660	5.94	4.33	2.125	.50	10.91	3.81
H1402A	1.0	10.56	10.94	10.24	7.50	4.33	2.125	.50	10.31	3.81

Unit	X-Tap	Y-Tap
R0402A	1/4-unF	1/4-unF
R0602A	3/8-unF	1/4-unF
R0702A	5/8-unF	5/16-unF
G0802A	3/4-unF	3/8-unF
H0902A	3/4-unF	1/2-unF
H1002A	3/4-unF	5/8-unF
H1302A	1-unF	3/4-unF
H1402A	1-unF	3/4-unF

**STERLING
ELECTRIC, INC.****2000HG HELICAL GEAR REDUCERS****A55****STYLE AR - TRIPLE REDUCTION****FOOT MOUNTED
SHAFT INPUT REDUCER****COMMON DIMENSIONS**

Unit	A	B	C	D	E	F	G	H	J	N	O	U
G0703A	9.060	9.650	17.32	5.510	6.690	8.070	0.98	0.75	2.36	3.15	11.61	1.625
G0803A	11.42	12.20	21.85	7.090	8.460	10.24	1.38	0.75	2.95	3.94	14.17	2.125
H0903A	13.39	14.37	25.98	8.860	9.840	12.20	1.57	0.91	3.54	4.72	17.05	2.375
H1003A	15.75	17.32	30.79	9.840	11.42	14.57	1.77	1.06	4.33	5.51	19.88	2.875
H1303A	17.72	19.29	35.71	10.43	13.39	16.14	1.97	1.34	4.33	6.69	22.17	3.625
H1403A	20.88	23.23	40.24	11.81	14.96	19.69	1.97	1.61	5.91	8.27	24.80	4.000

Unit	Sq. Key	AD	AE	BA	ES	FN	FU	Sq. F-Key
G0703A	.38	5.230	4.690	4.590	2.38	1.57	.7500	.19
G0803A	.50	6.030	6.570	5.510	2.75	1.97	.8750	.19
H0903A	.62	6.780	7.870	6.300	3.69	2.36	1.125	.25
H1003A	.75	7.990	8.860	7.280	4.62	3.15	1.375	.31
H1303A	.88	8.970	9.530	8.660	5.94	4.33	2.125	.50
H1403A	1.0	10.56	10.94	10.24	7.44	4.33	2.125	.50

Unit	FBA	FES	X-Tap	Y-Tap
G0703A	7.950	1.28	5/8-unF	1/4-unF
G0803A	5.510	1.28	3/4-unF	5/16-unF
H0903A	7.560	2.00	3/4-unF	3/8-unF
H1003A	9.020	2.40	3/4-unF	1/2-unF
H1303A	13.35	3.81	1-unF	3/4-unF
H1403A	13.51	3.81	1-unF	3/4-unF

B1	2000HG HELICAL RATIO MULTIPLIERS	STERLING ELECTRIC, INC.
-----------	---	------------------------------------

RATING TABLES



Size 1RBQ at 1750 Rpm (56C Input/Output)

56C Rating					
Ratio	Output RPM	Input HP	Output HP	Output Torque	Max LS OHL
2:1	875	1.80	1.76	127	313
3:1	583	1.50	1.46	152	313
4:1	437	1.25	1.22	179	313
5:1	350	1.00	0.98	177	313

Size 2RBQ at 1750 Rpm (56C Input/Output, 140TC Input/Output)

56C Rating						140TC Rating			
Ratio	Output RPM	Input HP	Output HP	Output Torque	Max LS OHL	Input HP	Output HP	Output Torque	Max LS OHL
2:1	875	5.76	5.65	407	372	12.0	11.7	843	741
3:1	583	3.83	3.76	407	372	8.30	8.10	876	741
4:1	437	2.87	2.82	407	372	6.00	5.90	851	741
5:1	350	2.30	2.26	407	372	5.30	5.20	931	741

Size 3RBQ at 1750 Rpm (180TC Input/Output, 210TC Input/Output)

180TC Rating						210TC Rating			
Ratio	Output RPM	Input HP	Output HP	Output Torque	Max LS OHL	Input HP	Output HP	Output Torque	Max LS OHL
2:1	875	13.34	13.01	937	999	13.34	13.01	937	1034
3:1	583	10.84	10.62	1121	999	10.84	10.62	1121	1034
4:1	437	7.39	7.24	1040	999	7.39	7.24	1040	1034
5:1	350	6.10	5.98	1076	999	6.10	5.98	1076	1034

Ratio	Motor Size	Output C-Face	Size 1RBQ Cast Iron Construction		Size 2RBQ Cast Iron Construction		Size 3RBQ Cast Iron Construction			
			Model Number	List Price	Model Number	List Price	Motor Size	Output C-Face	Model Number	List Price
2:1	56C	56C	1RBQ256C56C	\$275	2RBQ256C56C	\$376	180TC	180TC	3RBQ2180180	\$438
2:1	56C	140TC			2RBQ256C140	\$376	180TC	210TC	3RBQ2180210	\$438
2:1	140TC	56C			2RBQ214056C	\$376	210TC	180TC	3RBQ2210180	\$438
2:1	140TC	140TC			2RBQ2140140	\$376	210TC	210TC	3RBQ2210210	\$438
3:1	56C	56C	1RBQ356C56C	\$275	2RBQ356C56C	\$376	180TC	180TC	3RBQ3180180	\$438
3:1	56C	140TC			2RBQ356C140	\$376	180TC	210TC	3RBQ3180210	\$438
3:1	140TC	56C			2RBQ314056C	\$376	210TC	180TC	3RBQ3210180	\$438
3:1	140TC	140TC			2RBQ3140140	\$376	210TC	210TC	3RBQ3210210	\$438
4:1	56C	56C	1RBQ456C56C	\$275	2RBQ456C56C	\$376	180TC	180TC	3RBQ3180180	\$438
4:1	56C	140TC			2RBQ456C140	\$376	180TC	210TC	3RBQ3180210	\$438
4:1	140TC	56C			2RBQ414056C	\$376	210TC	180TC	3RBQ2180180	\$438
4:1	140TC	140TC			2RBQ4140140	\$376	210TC	210TC	3RBQ2210210	\$438
5:1	56C	56C	1RBQ556C56C	\$275	2RBQ556C56C	\$376	180TC	180TC	3RBQ5180180	\$438
5:1	56C	140TC			2RBQ556C140	\$376	180TC	210TC	3RBQ5180210	\$438
5:1	140TC	56C			2RBQ514056C	\$376	210TC	180TC	3RBQ5210180	\$438
5:1	140TC	140TC			2RBQ5140140	\$376	210TC	210TC	3RBQ5210210	\$438

Size 2RBQ Stainless Steel Construction				
Ratio	Motor Size	Output C-Face	Model Number	List Price
2:1	56C	56C	S2RBQ256C56C	\$962
2:1	56C	140TC	S2RBQ256C140	\$962
2:1	140TC	56C	S2RBQ214056C	\$962
2:1	140TC	140TC	S2RBQ2140140	\$962
3:1	56C	56C	S2RBQ356C56C	\$962
3:1	56C	140TC	S2RBQ356C140	\$962
3:1	140TC	56C	S2RBQ314056C	\$962
3:1	140TC	140TC	S2RBQ3140140	\$962
4:1	56C	56C	S2RBQ456C56C	\$962
4:1	56C	140TC	S2RBQ456C140	\$962
4:1	140TC	56C	S2RBQ414056C	\$962
4:1	140TC	140TC	S2RBQ4140140	\$962
5:1	56C	56C	S2RBQ556C56C	\$962
5:1	56C	140TC	S2RBQ556C140	\$962
5:1	140TC	56C	S2RBQ514056C	\$962
5:1	140TC	140TC	S2RBQ5140140	\$962

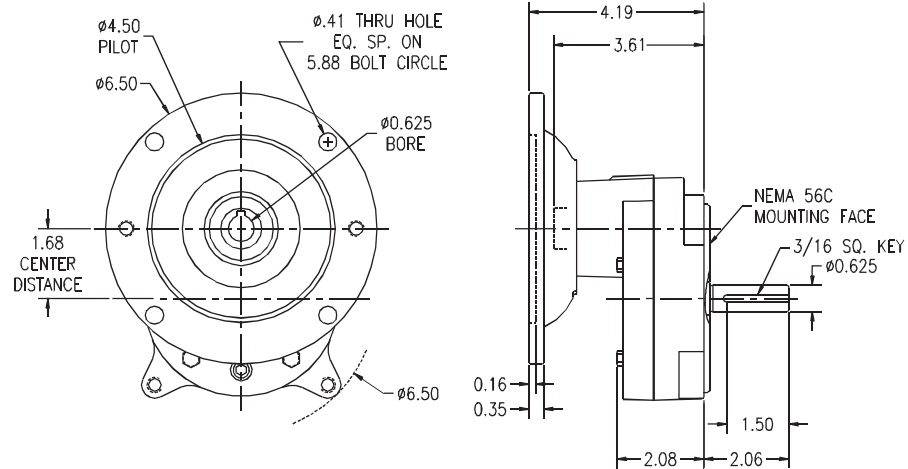
STERLING
ELECTRIC, INC.

2000HG HELICAL RATIO MULTIPLIERS

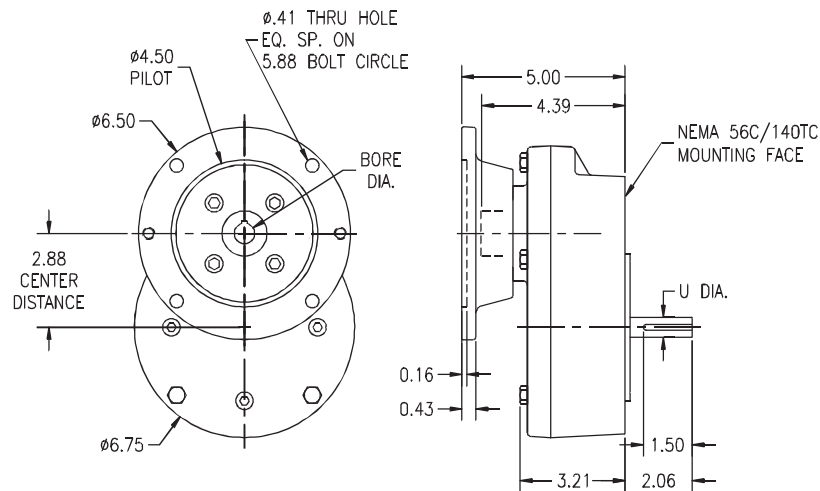
B2

DIMENSIONS

Size 1RBQ



Size 2RBQ

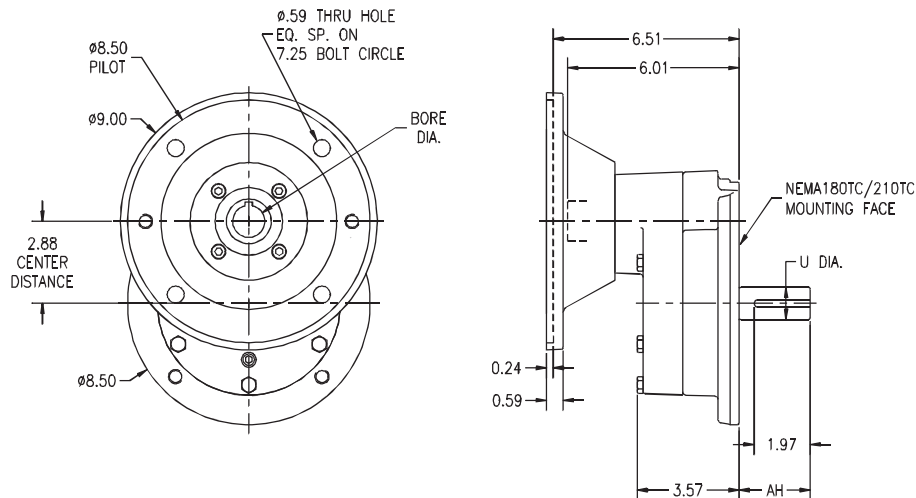


UNIT INPUT -OUTPUT	U	BORE
56C - 56C	.625	.625
140TC - 140TC	.875	.875
56C - 140TC	.875	.625
140TC - 56C	.625	.875

B3	2000HG HELICAL RATIO MULTIPLIERS	STERLING ELECTRIC, INC.
-----------	---	------------------------------------

DIMENSIONS

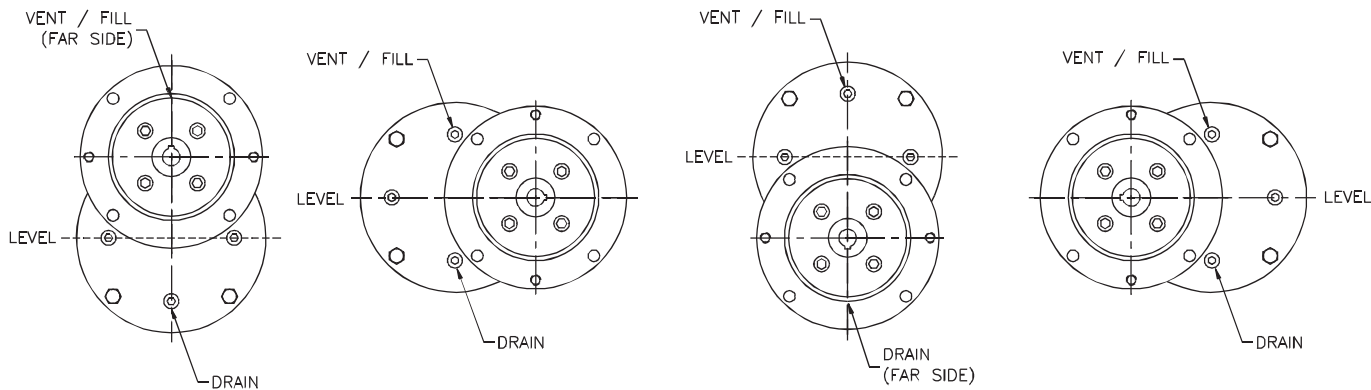
Size 3RBQ



UNIT INPUT-OUTPUT	U	BORE	AH
180TC-180TC	1.125	1.125	2.62
180TC-210TC	1.375	1.125	3.12
210TC-180TC	1.125	1.375	2.62
210TC-210TC	1.375	1.375	3.12

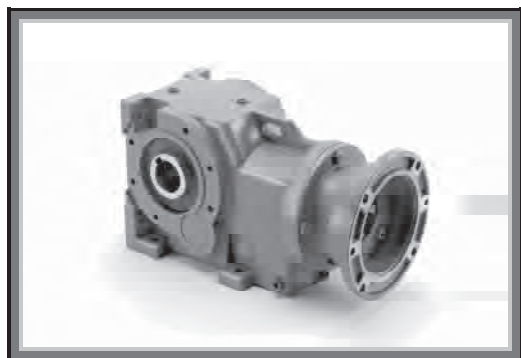
VENT PLUG LOCATION

Before putting the unit into operation, substitute the vent plug for the solid plug at the position desired. Arrows indicate the recommended vent plug locations.



Oil & Weight Specifications

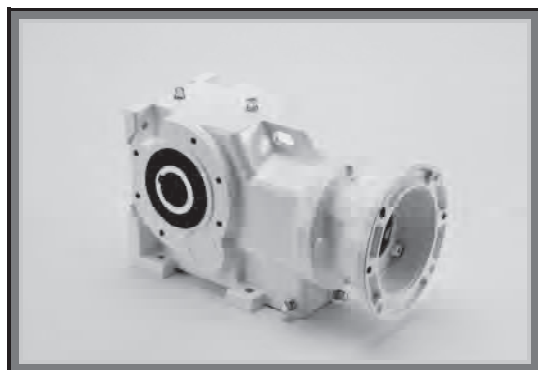
Unit Size	Oil Type	Oil Capacity	Weight
1RBQ	AGMA #4 / ISO 150	5/8 Pint	19 Lbs.
2RBQ		7/8 Pint	22 Lbs.
3RBQ		7/8 Pint	45 Lbs.

**STERLING
ELECTRIC, INC.**
2000HB HELICAL BEVEL REDUCERS / GEARMOTORS
C1


Painted Cast Iron Construction



303/304 Stainless Steel Construction



USDA Two Part Epoxy Coating



Silver Freeze (Stainless Pigment) Coating

The products found in this section provide a complete range of Helical Bevel Gearmotors and Reducers that meet the following specifications:

- All Helical Bevel Reducers and Gearmotors are provided with AGMA Class 10 or greater gearing.
- Base Mounting a Shaft Sizes provide Interchange with many Competitive Products. Contact our Inside Sales Department for assistance with your application requirement.
- All Standard TEFC Gearmotors and Sterli-Seal® Washdown Duty products are provided with MW-35 Spike Resistant Wire and meet NEMA MG1-4.4.2 Inverter Rating Specifications.
- Standard Painted Gearmotor Construction is provided with a Smooth Body Rolled Steel Constructed Motor with Cast Iron End Brackets on Fractional through 10HP. Gearmotors 15HP and larger are All Cast Iron Ribbed Frame Construction.
- All Standard Gearmotors are provided with Class F Insulation and a 1.15 Service Factor.
- All Inverter Duty Gearmotors are provided with Class H Insulation and a 1.0 Service Factor. These Gearmotors are suitable for a (10:1 Constant Torque) operation. Motors are provided with a Normally Closed (Klixon) Thermal Protector.
- All Sterli-Seal® Washdown Gearmotors or Reducers and provided, as standard, with Two Part USDA Approved White Paint. Optional Two Part Silver Freeze (Stainless Pigment) Paint is available upon request with an additional cost.
- SolidWorks 3D CAD or PDF Drawings are available on our website: www.sterlingelectric.com.

C2	2000HB PART NOMENCLATURE	STERLING ELECTRIC, INC.
-----------	---------------------------------	------------------------------------

K-SERIES HELICAL BEVEL REDUCER ONLY

SS Prefix	K04 Unit Size	3 No. of Red.	HC Style	011 Nominal Ratio	56 Motor Input	A Output Bore	1 Mntg Pos.
None-Standard Cast Iron Construction	04	3	HC-Coupling Style Input /Hollow Shaft Output	011 =11.1	00-Solid Shaft Input	See Table	See Diagram
S-Cast Iron Washdown Duty w/ USDA White Epoxy Coating	06	4	HR-Solid Shaft Input /Hollow Shaft Output	125=125:1	56-NEMA 56C	For fixed bores and keyway sizes	Page A49
SW-Cast Iron Washdown Duty w/ USDA Steel Plus CE Epoxy Coating	07		AC-Coupling Style Input /Solid Shaft Output		14-NEMA 143/145TC		
SS-All Stainless Steel Construction Washdown Duty			AR-Solid Shaft Input /Solid Shaft Output		18-NEMA 182/184TC		
			FHC-Coupling Style Input /Hollow Shaft Output w/ B5 Flange		21-NEMA 213/215TC		
			FHR-Solid Shaft Input /Hollow Shaft Output w/ B5 Flange		25-NEMA 254/256TC		
			FC-Coupling Style Input /Solid Shaft Output w/ B5 Flange			For Tapered Bushing, code is TB*	
			FR-Solid Shaft Input /Solid Shaft Output w/ B5 Flange				
			CHC-Coupling Style Input /Hollow Shaft Output w/ Face Mount**				
			CHR-Solid Shaft Input/ Hollow Shaft Output w/ Face Mount**				
			CC-Coupling Style Input /Solid Shaft Output w/ Face Mount**				
			CR-Solid Shaft Input /Solid Shaft Output w/ Face Mount**				

*For TB style units, bushing location must be specified either on the left side or right side of the unit facing the input. Please refer to assembly position diagram on page D10.

** Applies to Stainless Steel Unit Only. Cast Iron supplied with output face mount as standard.

K-SERIES HELICAL BEVEL GEAR MOTOR

SS Prefix	K04 Unit Size	3 No. of Red.	H Style	001 Motor Input Hp	159 Output RPM	A Output Bore	1 Mntg Pos.
None-Standard Cast Iron Construction	04	3	H-Motor Input /Hollow Shaft Output	Y02 =0.25Hp	Refer to rating tables for available nominal output RPM	See Table	See Diagram
S-Cast Iron Washdown Duty w/ USDA White Epoxy Coating	06	4	AC-Motor Input /Solid Shaft Output	Y03 =0.33Hp		For fixed bores and keyway sizes	Page A49
SW-Cast Iron Washdown Duty w/ USDA Steel Plus CE Epoxy Coating	07		FHC-Motor Input /Hollow Shaft Output w/ B5 Flange	Y05 =0.50Hp			
SS-All Stainless Steel Construction Washdown Duty			FC-Motor Input /Solid Shaft Output w/ B5 Flange	Y07 =0.75Hp		For Tapered Bushing, code is TB*	
			CH-Motor Input /Hollow Shaft Output w/ Face Mount**	001=1.0Hp			
			CC-Motor Input /Solid Shaft Output w/ Face Mount**	Y15=1.5Hp			
				002=2.0Hp			
				003=3.0Hp			
				005=5.0Hp			
				Y75=7.5Hp			
				010=10Hp			
				015=15Hp			

*For TB style units, bushing location must be specified either on the left side or right side of the unit facing the input. Please refer to assembly position diagram on page D10.

** Applies to Stainless Steel Unit Only. Cast Iron supplied with output face mount as standard.

INCH BORE

Fract. Size	Decimal Equiv.	Kwy Width x Depth	K04	K06	K07	Bore Code	Fract. Size	Decimal Equiv.	Kwy Width x Depth	K04	K06	K07	Bore Code
1	1.0000	1/4 x 1/8	X			A	1-11/16	1.6875	3/8 x 3/16		X	X	J
1-1/8	1.1250	1/4 x 1/8	X			B	1-3/4	1.7500	3/8 x 3/16		X	X	K
1-3/16	1.1875	1/4 x 1/8	X			C	1-7/8	1.8750	1/2 x 1/4		X	X	L
1-1/4	1.2500	1/4 x 1/8	X			D	1-15/16	1.9375	1/2 x 1/4		X	X	M
1-3/8	1.3750	5/16 x 5/32	X	X		E	2	2.0000	1/2 x 1/4		X	X	N
1-7/16	1.4375	3/8 x 3/16	X	X		F	2-3/16	2.1875	1/2 x 1/4			X	P
1-1/2	1.5000	3/8 x 3/16	X	X		G	2-1/4	2.2500	1/2 x 1/4			X	R
1-5/8	1.6250	3/8 x 3/16		X	X	H							

METRIC BORE

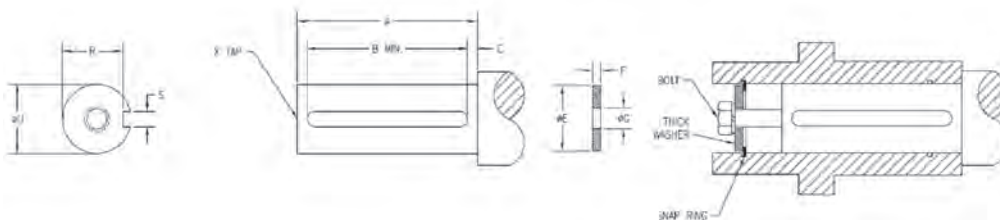
Fract. Size	Decimal Equiv.	Kwy Width x Depth	K04	K06	K07	Bore Code	Fract. Size	Decimal Equiv.	Kwy Width x Depth	K04	K06	K07	Bore Code
30mm	1.1811	8mm x 7mm	X			1	45mm	1.7717	14mm x 9mm		X		4
35mm	1.3780	10mm x 8mm	X			2	50mm	1.9685	14mm x 9mm			X	5
40mm	1.5748	12mm x 8mm	X	X		3	60mm	2.3622	18mm x 11mm			X	6

Tapered Bushing

Units with taper lock bushing option come less the taper bushing kit which must be ordered separately. Refer to page C34 for taper bushing kits. Kits contain taper bushing, shaft key, centering ring, snap ring, and mounting hardware. Taper bushing bores are available in the same diameters and key dimensions listed above. For bore sizes other than those listed above, consult factory.

STERLING ELECTRIC, INC.	2000HB SELECTION AND PRICING - CLASS I	C3
------------------------------------	---	-----------

FOR STRAIGHT BORE HOLLOW OUTPUT REDUCERS



ØU +0.00 -0.01	S +0.02 -0.00	R +0.00 -0.15	X Tap	Thick Washer			Snap Ring	K04				K06				K07			
				ØE	F	ØG		A	B	C	Bolt Lg	A	B	C	Bolt Lg	A	B	C	Bolt Lg
1.000	0.250	0.859	3/8-24 x0.88Dp	0.97	0.25	0.41	HO-100	4.29	3.56	0.12	2.00								
1.125	0.250	0.986		HO-112															
1.187	0.250	1.049		HO-118															
1.250	0.250	1.112		HO-125															
1.375	0.313	1.201	1/2-20 x1.25Dp	1.35	0.25	0.53	HO-137	4.29	3.56	0.12	2.25	4.96	4.00	0.12	2.50				
1.437	0.375	1.225		HO-143															
1.500	0.375	1.289		HO-150															
1.625	0.375	1.416		HO-162															
1.687	0.375	1.478	5/8-18 x1.42Dp	1.66	0.38	0.66	HO-168	4.96	4.00	0.12	2.75	6.02	5.00	0.12	2.75				
1.750	0.375	1.542		HO-175															
1.875	0.500	1.591		HO-187															
1.937	0.500	1.654		HO-193															
2.000	0.500	1.718		HO-200															
2.187	0.500	1.908		HO-218															
2.250	0.500	1.972		HO-225															

Inches

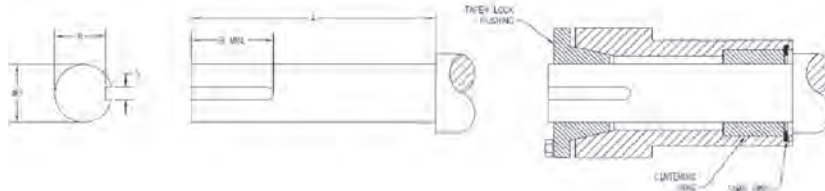
ØU +0.00 -0.025	S +0.05 -0.00	R +0.00 -0.38	X Tap	Thick Washer			Snap Ring	K04				K06				K07				
				ØE	F	ØG		A	B	C	Bolt Lg	A	B	C	Bolt Lg	A	B	C	Bolt Lg	
30	8	25.9	M10x22Dp	29	7	11	DHO-030	109	90	3	50									
35	10	30.2	M12x31Dp	34	7	13	DHO-035	109	90	3	55									
40	12	35.0	M16x36Dp	39	10	17	DHO-040	109	90	3	60									
45	14	39.4		DHO-045						126	101	3	70							
50	14	44.5		DHO-050						126	101	3	70	153	127	3	70			
60	18	53.1	M20x42Dp	50	10	21	DHO-060									153	127	3	70	

Millimeters

Notes:

1. Above customer shaft dimensions are based on standard hollow shaft bore sizes as stated in the catalog and assume square keys. For other types of mounting such as tapered bushing, special bore sizes, or rectangular keys, contact factory.
2. Dimension B is minimum usable keyway length.
3. Dimension A is minimum customer shaft engagement.
4. The dimensions stated as minimum are to be used as a guideline only. Good engineering practice and safety considerations may require longer customer shaft engagement and key lengths.
5. Customer to supply snap ring, thick washer, bolt, and lock washer.

FOR TAPER LOCK BUSHING HOLLOW OUTPUT REDUCERS



ØU +0.00 -0.01	S +0.02 -0.00	R +0.00 -0.15	K04		K06		K07	
			A	B	A	B	A	B
1.000	0.250	0.859	7.00	1.81	8.69	1.88		
1.125	0.250	0.986						
1.187	0.250	1.049						
1.250	0.250	1.112						
1.375	0.313	1.201						
1.437	0.375	1.225						
1.500	0.375	1.289	9.81	1.88				
1.625	0.375	1.416						
1.687	0.375	1.478						
1.750	0.375	1.542						
1.875	0.500	1.591						
1.937	0.500	1.654						
2.000	0.500	1.718						
2.187	0.500	1.908						
2.250	0.500	1.972						

Notes:

1. Above customer shaft dimensions are based on using on tapered shaft bushing kit. All taper lock bushing kits are supplied with bushing, mounting hardware, centering ring, snap ring, and shaft key. K07 is limited to 7,000 in-lbs output torque when using taper lock bushing design.
2. Dimension B is minimum usable keyway length.
3. Dimension A is customer usable shaft engagement.

C4

2000HB SELECTION AND PRICING - CLASS I**STERLING
ELECTRIC, INC.**

.33 Horsepower				
F/L RPM	SOLID Output Shaft		Output Torque	LIST Price
	Frame	Model No.		
159	56C-K043	K043AY03159=	126	\$1,631
146		K043AY03146=	137	\$1,631
125	56C-K043	K043AY03125=	160	\$1,631
109		K043AY03109=	183	\$1,631
97	56C-K043	K043AY03097=	206	\$1,631
88		K043AY03088=	227	\$1,631
80	56C-K043	K043AY03080=	250	\$1,631
70		K043AY03070=	285	\$1,631
63	56C-K043	K043AY03063=	317	\$1,631
55		K043AY03055=	363	\$1,631
44	56C-K043	K043AY03044=	454	\$1,631
35		K043AY03035=	571	\$1,631
29	56C-K043	K043AY03029=	689	\$1,631
25		K043AY03025=	799	\$1,631
22	56C-K043	K043AY03022=	908	\$1,631
18		K043AY03018=	1110	\$1,631
16	56C-K043	K043AY03016=	1248	\$1,631
14		K043AY03014=	1426	\$1,631

.33 Horsepower				
F/L RPM	HOLLOW Output Shaft		Output Torque	LIST Price
	Frame	Model No.		
159	56C-K043	K043HY03159=*	126	\$1,729
146		K043HY03146=*	137	\$1,729
125	56C-K043	K043HY03125=*	160	\$1,729
109		K043HY03109=*	183	\$1,729
97	56C-K043	K043HY03097=*	206	\$1,729
88		K043HY03088=*	227	\$1,729
80	56C-K043	K043HY03080=*	250	\$1,729
70		K043HY03070=*	285	\$1,729
63	56C-K043	K043HY03063=*	317	\$1,729
55		K043HY03055=*	363	\$1,729
44	56C-K043	K043HY03044=*	454	\$1,729
35		K043HY03035=*	571	\$1,729
29	56C-K043	K043HY03029=*	689	\$1,729
25		K043HY03025=*	799	\$1,729
22	56C-K043	K043HY03022=*	908	\$1,729
18		K043HY03018=*	1110	\$1,729
16	56C-K043	K043HY03016=*	1248	\$1,729
14		K043HY03014=*	1426	\$1,729

.50 Horsepower				
F/L RPM	SOLID Output Shaft		Output Torque	LIST Price
	Frame	Model No.		
159	56C-K043	K043AY05159=	190	\$1,654
146		K043AY05146=	207	\$1,654
125	56C-K043	K043AY05125=	242	\$1,654
109		K043AY05109=	277	\$1,654
97	56C-K043	K043AY05097=	312	\$1,654
88		K043AY05088=	344	\$1,654
80	56C-K043	K043AY05080=	378	\$1,654
70		K043AY05070=	432	\$1,654
63	56C-K043	K043AY05063=	480	\$1,654
55		K043AY05055=	550	\$1,654
44	56C-K043	K043AY05044=	688	\$1,654
35		K043AY05035=	865	\$1,654
29	56C-K043	K043AY05029=	1044	\$1,654
25		K043AY05025=	1211	\$1,654
22	56C-K043	K043AY05022=	1376	\$1,654
18		K043AY05018=	1681	\$1,654
16	56C-K043	K043AY05016=	1892	\$1,654
14		K043AY05014=	2162	\$1,654

.50 Horsepower				
F/L RPM	HOLLOW Output Shaft		Output Torque	LIST Price
	Frame	Model No.		
159	56C-K043	K043HY05159=*	190	\$1,752
146		K043HY05146=*	207	\$1,752
125	56C-K043	K043HY05125=*	242	\$1,752
109		K043HY05109=*	277	\$1,752
97	56C-K043	K043HY05097=*	312	\$1,752
88		K043HY05088=*	344	\$1,752
80	56C-K043	K043HY05080=*	378	\$1,752
70		K043HY05070=*	432	\$1,752
63	56C-K043	K043HY05063=*	480	\$1,752
55		K043HY05055=*	550	\$1,752
44	56C-K043	K043HY05044=*	688	\$1,752
35		K043HY05035=*	865	\$1,752
29	56C-K043	K043HY05029=*	1044	\$1,752
25		K043HY05025=*	1211	\$1,752
22	56C-K043	K043HY05022=*	1376	\$1,752
18		K043HY05018=*	1681	\$1,752
16	56C-K043	K043HY05016=*	1892	\$1,752
14		K043HY05014=*	2162	\$1,752

.75 Horsepower				
F/L RPM	SOLID Output Shaft		Output Torque	LIST Price
	Frame	Model No.		
159	56C-K043	K043AY07159=	286	\$1,675
146		K043AY07146=	311	\$1,675
125	56C-K043	K043AY07125=	363	\$1,675
109		K043AY07109=	416	\$1,675
97	56C-K043	K043AY07097=	468	\$1,675
88		K043AY07088=	516	\$1,675
80	56C-K043	K043AY07080=	567	\$1,675
70		K043AY07070=	649	\$1,675
63	56C-K043	K043AY07063=	721	\$1,675
55		K043AY07055=	825	\$1,675
44	56C-K043	K043AY07044=	1032	\$1,675
35		K043AY07035=	1297	\$1,675
29	56C-K043	K043AY07029=	1565	\$1,675
25		K043AY07025=	1816	\$1,675
22	56C-K043	K043AY07022=	2063	\$1,675
18		K043AY07018=	2522	\$1,675
16	56C-K043	K043AY07016=	2837	\$1,675
14		K043AY07014=	3243	\$1,675

.75 Horsepower				
F/L RPM	HOLLOW Output Shaft		Output Torque	LIST Price
	Frame	Model No.		
159	56C-K043	K043HY07159=*	286	\$1,773
146		K043HY07146=*	311	\$1,773
125	56C-K043	K043HY07125=*	363	\$1,773
109		K043HY07109=*	416	\$1,773
97	56C-K043	K043HY07097=*	468	\$1,773
88		K043HY07088=*	516	\$1,773
80	56C-K043	K043HY07080=*	567	\$1,773
70		K043HY07070=*	649	\$1,773
63	56C-K043	K043HY07063=*	721	\$1,773
55		K043HY07055=*	825	\$1,773
44	56C-K043	K043HY07044=*	1032	\$1,773
35		K043HY07035=*	1297	\$1,773
29	56C-K043	K043HY07029=*	1565	\$1,773
25		K043HY07025=*	1816	\$1,773
22	56C-K043	K043HY07022=*	2063	\$1,773
18		K043HY07018=*	2522	\$1,773
16	56C-K043	K043HY07016=*	2837	\$1,773
14		K043HY07014=*	3243	\$1,773

= To be user specified for required output shaft assembly position

= To be user specified for required output bore size

Reference Catalog Page C2 for complete bore size listing
TB = Tapered Bushing Design (reference catalog page C34
for Part Number selection by bore size and List Price
Addition). **Bushings are Sold Separately.*** To be user specified for application required mounting position
(reference catalog page D10 for assembly positions).

**STERLING
ELECTRIC, INC.****2000HB SELECTION AND PRICING - CLASS I****C5**

1 Horsepower				
F/L RPM	SOLID Output Shaft		Output Torque	LIST Price
	Frame	Model No.		
159	56C-K043	K043A001159=	381	\$1,698
146		K043A001146=	415	\$1,698
125		K043A001125=	484	\$1,698
109	56C-K043	K043A001109=	555	\$1,698
97		K043A001097=	624	\$1,698
88		K043A001088=	688	\$1,698
80	56C-K043	K043A001080=	757	\$1,698
70		K043A001070=	865	\$1,698
63		K043A001063=	961	\$1,698
55	56C-K043	K043A001055=	1101	\$1,698
44		K043A001044=	1376	\$1,698
35		K043A001035=	1729	\$1,698
29	56C-K043	K043A001029=	2087	\$1,698
25		K043A001025=	2421	\$1,698
22		K043A001022=	2751	\$1,698
18	56C-K043	K043A001018=	3363	\$1,698
16		K043A001016=	3783	\$1,698
15		56C-K063	K063A001015=	4035

1 Horsepower				
F/L RPM	HOLLOW Output Shaft		Output Torque	LIST Price
	Frame	Model No.		
159	56C-K043	K043H001159=*	381	\$1,796
146		K043H001146=*	415	\$1,796
125		K043H001125=*	484	\$1,796
109	56C-K043	K043H001109=*	555	\$1,796
97		K043H001097=*	624	\$1,796
88		K043H001088=*	688	\$1,796
80	56C-K043	K043H001080=*	757	\$1,796
70		K043H001070=*	865	\$1,796
63		K043H001063=*	961	\$1,796
55	56C-K043	K043H001055=*	1101	\$1,796
44		K043H001044=*	1376	\$1,796
35		K043H001035=*	1729	\$1,796
29	56C-K043	K043H001029=*	2087	\$1,796
25		K043H001025=*	2421	\$1,796
22		K043H001022=*	2751	\$1,796
18	56C-K043	K043H001018=*	3363	\$1,796
16		K043H001016=*	3783	\$1,796
15		56C-K063	K063H001015=*	4035

1.5 Horsepower				
F/L RPM	SOLID Output Shaft		Output Torque	LIST Price
	Frame	Model No.		
159	56C-K043	K043AY15159=	571	\$1,714
146		K043AY15146=	622	\$1,714
125		K043AY15125=	726	\$1,714
109	56C-K043	K043AY15109=	833	\$1,714
97		K043AY15097=	936	\$1,714
88		K043AY15088=	1032	\$1,714
80	56C-K043	K043AY15080=	1135	\$1,714
70		K043AY15070=	1297	\$1,714
63		K043AY15063=	1441	\$1,714
55	56C-K043	K043AY15055=	1651	\$1,714
44		K043AY15044=	2063	\$1,714
35		K043AY15035=	2594	\$1,714
29	56C-K043	K043AY15029=	3131	\$1,714
25		K063AY15025=	3632	\$2,005
22		K063AY15022=	4127	\$2,005
18	56C-K063	K063AY15018=	5044	\$2,005
16		K063AY15016=	5675	\$2,005
15		K063AY15015=	6053	\$2,005

1.5 Horsepower				
F/L RPM	HOLLOW Output Shaft		Output Torque	LIST Price
	Frame	Model No.		
159	56C-K043	K043HY15159=*	571	\$1,812
146		K043HY15146=*	622	\$1,812
125		K043HY15125=*	726	\$1,812
109	56C-K043	K043HY15109=*	833	\$1,812
97		K043HY15097=*	936	\$1,812
88		K043HY15088=*	1032	\$1,812
80	56C-K043	K043HY15080=*	1135	\$1,812
70		K043HY15070=*	1297	\$1,812
63		K043HY15063=*	1441	\$1,812
55	56C-K043	K043HY15055=*	1651	\$1,812
44		K043HY15044=*	2063	\$1,812
35		K043HY15035=*	2594	\$1,812
29	56C-K043	K043HY15029=*	3131	\$1,812
25		K063HY15025=*	3632	\$2,113
22		K063HY15022=*	4127	\$2,113
18	56C-K063	K063HY15018=*	5044	\$2,113
16		K063HY15016=*	5675	\$2,113
15		K063HY15015=*	6053	\$2,113

2 Horsepower				
F/L RPM	SOLID Output Shaft		Output Torque	LIST Price
	Frame	Model No.		
159	56C-K043	K043A002159=	305	\$1,736
146		K043A002146=	829	\$1,736
125		K043A002125=	968	\$1,736
109	56C-K043	K043A002109=	1111	\$1,736
97		K043A002097=	1248	\$1,736
88		K043A002088=	1376	\$1,736
80	56C-K043	K043A002080=	1513	\$1,736
70		K043A002070=	1729	\$1,736
63		K043A002063=	1922	\$1,736
55	56C-K043	K043A002055=	2201	\$1,736
44		K043A002044=	2751	\$1,736
35		K043A002035=	3459	\$1,736
29	56C-K063	K063A002029=	4174	\$2,027
25		K063A002025=	4842	\$2,027
22		K063A002022=	5503	\$2,027
18	56C-K073	K063A002018=	6725	\$2,027
16		K073A003016=	7566	\$2,523
13		K073A003013=	9312	\$2,523

2 Horsepower				
F/L RPM	HOLLOW Output Shaft		Output Torque	LIST Price
	Frame	Model No.		
159	56C-K043	K043H002159=*	305	\$1,834
146		K043H002146=*	829	\$1,834
125		K043H002125=*	968	\$1,834
109	56C-K043	K043H002109=*	1111	\$1,834
97		K043H002097=*	1248	\$1,834
88		K043H002088=*	1376	\$1,834
80	56C-K043	K043H002080=*	1513	\$1,834
70		K043H002070=*	1729	\$1,834
63		K043H002063=*	1922	\$1,834
55	56C-K043	K043H002055=*	2201	\$1,834
44		K043H002044=*	2751	\$1,834
35		K043H002035=*	3459	\$1,834
29	56C-K063	K063H002029=*	4174	\$2,135
25		K063H002025=*	4842	\$2,135
22		K063H002022=*	5503	\$2,135
18	56C-K073	K063H002018=*	6725	\$2,135
16		K073H002016=*	7566	\$2,664
13		K073H002013=*	9312	\$2,664

= To be user specified for required output shaft assembly position

= To be user specified for required output bore size

Reference Catalog Page C2 for complete bore size listing
TB = Tapered Bushing Design (reference catalog page C34
for Part Number selection by bore size and List Price
Addition). **Bushings are Sold Separately.*** To be user specified for application required mounting position
(reference catalog page D10 for assembly positions).

C6

2000HB SELECTION AND PRICING - CLASS I**STERLING
ELECTRIC, INC.****3 Horsepower**

F/L RPM	SOLID Output Shaft		Output Torque	LIST Price
	Frame	Model No.		
159	182TC-K043	K043A003159=	1142	\$1,771
146		K043A003146=	1244	\$1,771
125	182TC-K043	K043A003125=	1453	\$1,771
109		K043A003109=	1666	\$1,771
97	182TC-K043	K043A003097=	1872	\$1,771
88		K043A003088=	2063	\$1,771
80	182TC-K043	K043A003080=	2270	\$1,771
70		K043A003070=	2594	\$1,771
63	182TC-K043	K043A003063=	2882	\$1,771
55		K043A003055=	3302	\$1,771
44	182TC-K063	K063A003044=	4127	\$2,062
36		K063A003036=	5044	\$2,062
29	182TC-K063	K063A003029=	6262	\$2,062
23	182TC-K073	K073A003023=	7895	\$2,558
21		K073A003021=	8646	\$2,558
17	182TC-K073	K073A003017=	10681	\$2,558
16		K073A003016=	11349	\$2,558

3 Horsepower

F/L RPM	HOLLOW Output Shaft		Output Torque	LIST Price
	Frame	Model No.		
159	182TC-K043	K043H003159=*	1142	\$1,869
146		K043H003146=*	1244	\$1,869
125	182TC-K043	K043H003125=*	1453	\$1,869
109		K043H003109=*	1666	\$1,869
97	182TC-K043	K043H003097=*	1872	\$1,869
88		K043H003088=*	2063	\$1,869
80	182TC-K043	K043H003080=*	2270	\$1,869
70		K043H003070=*	2594	\$1,869
63	182TC-K043	K043H003063=*	2882	\$1,869
55		K043H003055=*	3302	\$1,869
44	182TC-K063	K063H003044=*	4127	\$2,170
36		K063H003036=*	5044	\$2,170
29	182TC-K063	K063H003029=*	6262	\$2,170
23	182TC-K073	K073H003023=*	7895	\$2,699
21		K073H003021=*	8646	\$2,699
17	182TC-K073	K073H003017=*	10681	\$2,699
16		K073H003016=*	11349	\$2,699

5 Horsepower

F/L RPM	SOLID Output Shaft		Output Torque	LIST Price
	Frame	Model No.		
159	184TC-K043	K043A005159=	1903	\$1,822
146		K043A005146=	2072	\$1,822
125	184TC-K043	K043A005125=	2421	\$1,822
111		K063A005111=	2726	\$2,113
99	184TC-K063	K063A005099=	3057	\$2,113
87		K063A005087=	3478	\$2,113
80	184TC-K063	K063A005080=	3783	\$2,113
70		K063A005070=	4323	\$2,113
63	184TC-K063	K063A005063=	4804	\$2,113
54		K063A005054=	5604	\$2,113
41	184TC-K073	K073A005041=	7381	\$2,609
34		K073A005034=	8901	\$2,609
27	184TC-K073	K073A005027=	11209	\$2,609
23		K073A005023=	13158	\$2,609
21	184TC-K073	K073A005021=	14411	\$2,609

5 Horsepower

F/L RPM	HOLLOW Output Shaft		Output Torque	LIST Price
	Frame	Model No.		
159	184TC-K043	K043H005159=*	1903	\$1,920
146		K043H005146=*	2072	\$1,920
125	184TC-K043	K043H005125=*	2421	\$1,920
111		K063H005111=*	2726	\$2,221
99	184TC-K063	K063H005099=*	3057	\$2,221
87		K063H005087=*	3478	\$2,221
80	184TC-K063	K063H005080=*	3783	\$2,221
70		K063H005070=*	4323	\$2,221
63	184TC-K063	K063H005063=*	4804	\$2,221
54		K063H005054=*	5604	\$2,221
41	184TC-K073	K073H005041=*	7381	\$2,750
34		K073H005034=*	8901	\$2,750
27	184TC-K073	K073H005027=*	11209	\$2,750
23		K073H005023=*	13158	\$2,750
21	184TC-K073	K073H005021=*	14411	\$2,750

7.5 Horsepower

F/L RPM	SOLID Output Shaft		Output Torque	LIST Price
	Frame	Model No.		
157	213TC-K063	K063AY75157=	2891	\$2,253
140		K063AY75140=	3242	\$2,253
125	213TC-K063	K063AY75125=	3632	\$2,253
111		K063AY75111=	4090	\$2,253
98	213TC-K063	K063AY75097=	4632	\$2,253
87		K063AY75087=	5218	\$2,253
80	213TC-K063	K063AY75080=	5675	\$2,253
75		K073AY75075=	6053	\$2,749
66	213TC-K073	K073AY75066=	6878	\$2,749
60		K073AY75060=	7566	\$2,749
51	213TC-K073	K073AY75051=	8901	\$2,749
41		K073AY75041=	11072	\$2,749
34	213TC-K073	K073AY75034=	13352	\$2,749

7.5 Horsepower

F/L RPM	HOLLOW Output Shaft		Output Torque	LIST Price
	Frame	Model No.		
159	213TC-K063	K063HY75159=*	2891	\$2,361
146		K063HY75146=*	3242	\$2,361
125	213TC-K063	K063HY75125=*	3632	\$2,361
109		K063HY75109=*	4090	\$2,361
97	213TC-K063	K063HY75097=*	4632	\$2,361
88		K063HY75088=*	5218	\$2,361
80	213TC-K063	K063HY75080=*	5675	\$2,361
75		K073HY75075=*	6053	\$2,890
66	213TC-K073	K073HY75066=*	6878	\$2,890
60		K073HY75060=*	7566	\$2,890
51	213TC-K073	K073HY75051=*	8901	\$2,890
41		K073HY75041=*	11072	\$2,890
34	213TC-K073	K073HY75034=*	13352	\$2,890

= To be user specified for required output shaft assembly position

= To be user specified for required output bore size

Reference Catalog Page C2 for complete bore size listing
 TB = Tapered Bushing Design (reference catalog page C34
 for Part Number selection by bore size and List Price
 Addition). **Bushings are Sold Separately.**

* To be user specified for application required mounting position
 (reference catalog page D10 for assembly positions).

**STERLING
ELECTRIC, INC.**
2000HB SELECTION AND PRICING - CLASS I
C7

10 Horsepower				
F/L RPM	SOLID Output Shaft		Output Torque	LIST Price
	Frame	Model No.		
157	215TC-K063	K063A010157=	3855	\$2,363
140		K063A010140=	4323	\$2,363
125	215TC-K063	K063A010125=	4842	\$2,363
111		K063A010111=	5681	\$2,363
105	215TC-K073	K073A010105=	5765	\$2,859
93		K073A010093=	6508	\$2,859
82	215TC-K073	K073A010082=	7381	\$2,859
75		K073A010075=	8070	\$2,859
66	215TC-K073	K073A010066=	9171	\$2,859
60		K073A010060=	10088	\$2,859
51	215TC-K073	K073A010051=	11868	\$2,859

10 Horsepower				
F/L RPM	HOLLOW Output Shaft		Output Torque	LIST Price
	Frame	Model No.		
157	215TC-K063	K063H010157=*	3855	\$2,471
140		K063H010140=*	4323	\$2,471
125	215TC-K063	K063H010125=*	4842	\$2,471
111		K063H010111=*	5681	\$2,471
105	215TC-K073	K073H010105=	5765	\$3,000
93		K073H010093=	6508	\$3,000
82	215TC-K073	K073H010082=	7381	\$3,000
75		K073H010075=	8070	\$3,000
66	215TC-K073	K073H010066=	9171	\$3,000
60		K073H010060=	10088	\$3,000
51	215TC-K073	K073H010051=	11868	\$3,000

15 Horsepower				
F/L RPM	SOLID Output Shaft		Output Torque	LIST Price
	Frame	Model No.		
148	254TC-K073	K073A015148=	6135	\$3,753
132		K073A015132=	6878	\$3,753
118	254TC-K073	K073A015118=	7694	\$3,753
105		K073A015105=	8647	\$3,753
93	254TC-K073	K073A015093=	9763	\$3,753
82		K073A015082=	11072	\$3,753

15 Horsepower				
F/L RPM	HOLLOW Output Shaft		Output Torque	LIST Price
	Frame	Model No.		
148	254TC-K073	K073H015148=	6135	\$3,894
132		K073H015132=	6878	\$3,894
118	254TC-K073	K073H015118=	7694	\$3,894
105		K073H015105=	8647	\$3,894
93	254TC-K073	K073H015093=	9763	\$3,894
82		K073H015082=	11072	\$3,894

20 Horsepower				
F/L RPM	SOLID Output Shaft		Output Torque	LIST Price
	Frame	Model No.		
148	256TC-K073	K073A020148=	8179	\$4,148
132		K073A020132=	9171	\$4,148
118	256TC-K073	K073A020118=	10259	\$4,148

20 Horsepower				
F/L RPM	HOLLOW Output Shaft		Output Torque	LIST Price
	Frame	Model No.		
148	256TC-K073	K073H020148=	8179	\$4,289
132		K073H020132=	9171	\$4,289
118	256TC-K073	K073H020118=	10259	\$4,289

= To be user specified for required output shaft assembly position

= To be user specified for required output bore size

 Reference Catalog Page C2 for complete bore size listing
 TB = Tapered Bushing Design (reference catalog page C34
 for Part Number selection by bore size and List Price
 Addition). **Bushings are Sold Separately.**

 * To be user specified for application required mounting position
 (reference catalog page D10 for assembly positions).

C8

2000HB SELECTION AND PRICING - CLASS I**STERLING
ELECTRIC, INC.****Sterli-Seal® Washdown Duty****.33 Horsepower**

F/L RPM	SOLID Output Shaft		Output Torque	LIST Price
	Frame	Model No.		
159	56C-K043	SK043AY03159=	126	\$1,894
146		SK043AY03146=	137	\$1,894
125		SK043AY03125=	160	\$1,894
109	56C-K043	SK043AY03109=	183	\$1,894
97		SK043AY03097=	206	\$1,894
88		SK043AY03088=	227	\$1,894
80	56C-K043	SK043AY03080=	250	\$1,894
70		SK043AY03070=	285	\$1,894
63		SK043AY03063=	317	\$1,894
55	56C-K043	SK043AY03055=	363	\$1,894
44		SK043AY03044=	454	\$1,894
35		SK043AY03035=	571	\$1,894
29	56C-K043	SK043AY03029=	689	\$1,894
25		SK043AY03025=	799	\$1,894
22		SK043AY03022=	908	\$1,894
18	56C-K043	SK043AY03018=	1110	\$1,894
16		SK043AY03016=	1248	\$1,894
14		SK043AY03014=	1426	\$1,894

.33 Horsepower

F/L RPM	HOLLOW Output Shaft		Output Torque	LIST Price
	Frame	Model No.		
159	56C-K043	SK043HY03159=*	126	\$2,002
146		SK043HY03146=*	137	\$2,002
125		SK043HY03125=*	160	\$2,002
109	56C-K043	SK043HY03109=*	183	\$2,002
97		SK043HY03097=*	206	\$2,002
88		SK043HY03088=*	227	\$2,002
80	56C-K043	SK043HY03080=*	250	\$2,002
70		SK043HY03070=*	285	\$2,002
63		SK043HY03063=*	317	\$2,002
55	56C-K043	SK043HY03055=*	363	\$2,002
44		SK043HY03044=*	454	\$2,002
35		SK043HY03035=*	571	\$2,002
29	56C-K043	SK043HY03029=*	689	\$2,002
25		SK043HY03025=*	799	\$2,002
22		SK043HY03022=*	908	\$2,002
18	56C-K043	SK043HY03018=*	1110	\$2,002
16		SK043HY03016=*	1248	\$2,002
14		SK043HY03014=*	1426	\$2,002

.50 Horsepower

F/L RPM	SOLID Output Shaft		Output Torque	LIST Price
	Frame	Model No.		
159	56C-K043	SK043AY05159=	190	\$1,917
146		SK043AY05146=	207	\$1,917
125		SK043AY05125=	242	\$1,917
109	56C-K043	SK043AY05109=	277	\$1,917
97		SK043AY05097=	312	\$1,917
88		SK043AY05088=	344	\$1,917
80	56C-K043	SK043AY05080=	378	\$1,917
70		SK043AY05070=	432	\$1,917
63		SK043AY05063=	480	\$1,917
55	56C-K043	SK043AY05055=	550	\$1,917
44		SK043AY05044=	688	\$1,917
35		SK043AY05035=	865	\$1,917
29	56C-K043	SK043AY05029=	1044	\$1,917
25		SK043AY05025=	1211	\$1,917
22		SK043AY05022=	1376	\$1,917
18	56C-K043	SK043AY05018=	1681	\$1,917
16		SK043AY05016=	1892	\$1,917
14		SK043AY05014=	2162	\$1,917

.50 Horsepower

F/L RPM	HOLLOW Output Shaft		Output Torque	LIST Price
	Frame	Model No.		
159	56C-K043	SK043HY05159=*	190	\$2,025
146		SK043HY05146=*	207	\$2,025
125		SK043HY05125=*	242	\$2,025
109	56C-K043	SK043HY05109=*	277	\$2,025
97		SK043HY05097=*	312	\$2,025
88		SK043HY05088=*	344	\$2,025
80	56C-K043	SK043HY05080=*	378	\$2,025
70		SK043HY05070=*	432	\$2,025
63		SK043HY05063=*	480	\$2,025
55	56C-K043	SK043HY05055=*	550	\$2,025
44		SK043HY05044=*	688	\$2,025
35		SK043HY05035=*	865	\$2,025
29	56C-K043	SK043HY05029=*	1044	\$2,025
25		SK043HY05025=*	1211	\$2,025
22		SK043HY05022=*	1376	\$2,025
18	56C-K043	SK043HY05018=*	1681	\$2,025
16		SK043HY05016=*	1892	\$2,025
14		SK043HY05014=*	2162	\$2,025

.75 Horsepower

F/L RPM	SOLID Output Shaft		Output Torque	LIST Price
	Frame	Model No.		
159	56C-K043	SK043AY07159=	286	\$1,973
146		SK043AY07146=	311	\$1,973
125		SK043AY07125=	363	\$1,973
109	56C-K043	SK043AY07109=	416	\$1,973
97		SK043AY07097=	468	\$1,973
88		SK043AY07088=	516	\$1,973
80	56C-K043	SK043AY07080=	567	\$1,973
70		SK043AY07070=	649	\$1,973
63		SK043AY07063=	721	\$1,973
55	56C-K043	SK043AY07055=	825	\$1,973
44		SK043AY07044=	1032	\$1,973
35		SK043AY07035=	1297	\$1,973
29	56C-K043	SK043AY07029=	1565	\$1,973
25		SK043AY07025=	1816	\$1,973
22		SK043AY07022=	2063	\$1,973
18	56C-K043	SK043AY07018=	2522	\$1,973
16		SK043AY07016=	2837	\$1,973
14		SK043AY07014=	3243	\$1,973

.75 Horsepower

F/L RPM	HOLLOW Output Shaft		Output Torque	LIST Price
	Frame	Model No.		
159	56C-K043	SK043HY07159=*	286	\$2,081
146		SK043HY07146=*	311	\$2,081
125		SK043HY07125=*	363	\$2,081
109	56C-K043	SK043HY07109=*	416	\$2,081
97		SK043HY07097=*	468	\$2,081
88		SK043HY07088=*	516	\$2,081
80	56C-K043	SK043HY07080=*	567	\$2,081
70		SK043HY07070=*	649	\$2,081
63		SK043HY07063=*	721	\$2,081
55	56C-K043	SK043HY07055=*	825	\$2,081
44		SK043HY07044=*	1032	\$2,081
35		SK043HY07035=*	1297	\$2,081
29	56C-K043	SK043HY07029=*	1565	\$2,081
25		SK043HY07025=*	1816	\$2,081
22		SK043HY07022=*	2063	\$2,081
18	56C-K043	SK043HY07018=*	2522	\$2,081
16		SK043HY07016=*	2837	\$2,081
14		SK043HY07014=*	3243	\$2,081

= To be user specified for required output shaft assembly position

= To be user specified for required output bore size

Reference Catalog Page C2 for complete bore size listing
TB = Tapered Bushing Design (reference catalog page C34
for Part Number selection by bore size and List Price
Addition). **Bushings are Sold Separately.*** To be user specified for application required mounting position
(reference catalog page D10 for assembly positions).

**STERLING
ELECTRIC, INC.****2000HB SELECTION AND PRICING - CLASS I****C9****Sterli-Seal® Washdown Duty**

1 Horsepower				
F/L RPM	SOLID Output Shaft		Output Torque	LIST Price
	Frame	Model No.		
159	56C-K043	SK043A001159=	381	\$1,991
146		SK043A001146=	415	\$1,991
125	56C-K043	SK043A001125=	484	\$1,991
109		SK043A001109=	555	\$1,991
97	56C-K043	SK043A001097=	624	\$1,991
88		SK043A001088=	688	\$1,991
80	56C-K043	SK043A001080=	757	\$1,991
70		SK043A001070=	865	\$1,991
63	56C-K043	SK043A001063=	961	\$1,991
55		SK043A001055=	1101	\$1,991
44	56C-K043	SK043A001044=	1376	\$1,991
35		SK043A001035=	1729	\$1,991
29	56C-K043	SK043A001029=	2087	\$1,991
25		SK043A001025=	2421	\$1,991
22	56C-K043	SK043A001022=	2751	\$1,991
18		SK043A001018=	3363	\$1,991
16	56C-K043	SK043A001016=	3783	\$1,991
14	56C-K063	SK063A001014=	4323	\$2,311

1 Horsepower				
F/L RPM	HOLLOW Output Shaft		Output Torque	LIST Price
	Frame	Model No.		
159	56C-K043	SK043H001159=*	381	\$2,099
146		SK043H001146=*	415	\$2,099
125	56C-K043	SK043H001125=*	484	\$2,099
109		SK043H001109=*	555	\$2,099
97	56C-K043	SK043H001097=*	624	\$2,099
88		SK043H001088=*	688	\$2,099
80	56C-K043	SK043H001080=*	757	\$2,099
70		SK043H001070=*	865	\$2,099
63	56C-K043	SK043H001063=*	961	\$2,099
55		SK043H001055=*	1101	\$2,099
44	56C-K043	SK043H001044=*	1376	\$2,099
35		SK043H001035=*	1729	\$2,099
29	56C-K043	SK043H001029=*	2087	\$2,099
25		SK043H001025=*	2421	\$2,099
22	56C-K043	SK043H001022=*	2751	\$2,099
18		SK043H001018=*	3363	\$2,099
16	56C-K043	SK043H001016=*	3783	\$2,099
14	56C-K063	SK063H001014=*	4323	\$2,430

1.5 Horsepower				
F/L RPM	SOLID Output Shaft		Output Torque	LIST Price
	Frame	Model No.		
159	56C-K043	SK043AY15159=	571	\$2,020
146		SK043AY15146=	622	\$2,020
125	56C-K043	SK043AY15125=	726	\$2,020
109		SK043AY15109=	833	\$2,020
97	56C-K043	SK043AY15097=	936	\$2,020
88		SK043AY15088=	1032	\$2,020
80	56C-K043	SK043AY15080=	1135	\$2,020
70		SK043AY15070=	1297	\$2,020
63	56C-K043	SK043AY15063=	1441	\$2,020
55		SK043AY15055=	1651	\$2,020
44	56C-K043	SK043AY15044=	2063	\$2,020
35		SK043AY15035=	2594	\$2,020
29	56C-K043	SK043AY15029=	3131	\$2,020
25		56C-K063	SK063AY15025=	3632
22	56C-K063	SK063AY15022=	4127	\$2,340
18		SK063AY15018=	5044	\$2,340
16	56C-K063	SK063AY15016=	5675	\$2,340
15		SK063AY15015=	6053	\$2,340

1.5 Horsepower				
F/L RPM	HOLLOW Output Shaft		Output Torque	LIST Price
	Frame	Model No.		
159	56C-K043	SK043HY15159=*	571	\$2,128
146		SK043HY15146=*	622	\$2,128
125	56C-K043	SK043HY15125=*	726	\$2,128
109		SK043HY15109=*	833	\$2,128
97	56C-K043	SK043HY15097=*	936	\$2,128
88		SK043HY15088=*	1032	\$2,128
80	56C-K043	SK043HY15080=*	1135	\$2,128
70		SK043HY15070=*	1297	\$2,128
63	56C-K043	SK043HY15063=*	1441	\$2,128
55		SK043HY15055=*	1651	\$2,128
44	56C-K043	SK043HY15044=*	2063	\$2,128
35		SK043HY15035=*	2594	\$2,128
29	56C-K043	SK043HY15029=*	3131	\$2,128
25		56C-K063	SK063HY15025=*	3632
22	56C-K063	SK063HY15022=*	4127	\$2,459
18		SK063HY15018=*	5044	\$2,459
16	56C-K063	SK063HY15016=*	5675	\$2,459
15		SK063HY15015=*	6053	\$2,459

2 Horsepower				
F/L RPM	SOLID Output Shaft		Output Torque	LIST Price
	Frame	Model No.		
159	56C-K043	SK043A002159=	305	\$2,083
146		SK043A002146=	829	\$2,083
125	56C-K043	SK043A002125=	968	\$2,083
109		SK043A002109=	1111	\$2,083
97	56C-K043	SK043A002097=	1248	\$2,083
88		SK043A002088=	1376	\$2,083
80	56C-K043	SK043A002080=	1513	\$2,083
70		SK043A002070=	1729	\$2,083
63	56C-K043	SK043A002063=	1922	\$2,083
55		SK043A002055=	2201	\$2,083
44	56C-K043	SK043A002044=	2751	\$2,083
35		SK043A002035=	3459	\$2,083
29	56C-K063	SK063A002029=	4174	\$2,403
25		SK063A002025=	4842	\$2,403
22	56C-K063	SK063A002022=	5503	\$2,403
18		SK063A002018=	6725	\$2,403
16	56C-K073	SK073A003016=	7566	\$2,949
13		SK073A003013=	9312	\$2,949

2 Horsepower				
F/L RPM	HOLLOW Output Shaft		Output Torque	LIST Price
	Frame	Model No.		
159	56C-K043	SK043H002159=*	305	\$2,191
146		SK043H002146=*	829	\$2,191
125	56C-K043	SK043H002125=*	968	\$2,191
109		SK043H002109=*	1111	\$2,191
97	56C-K043	SK043H002097=*	1248	\$2,191
88		SK043H002088=*	1376	\$2,191
80	56C-K043	SK043H002080=*	1513	\$2,191
70		SK043H002070=*	1729	\$2,191
63	56C-K043	SK043H002063=*	1922	\$2,191
55		SK043H002055=*	2201	\$2,191
44	56C-K043	SK043H002044=*	2751	\$2,191
35		SK043H002035=*	3459	\$2,191
29	56C-K063	SK063H002029=*	4174	\$2,522
25		SK063H002025=*	4842	\$2,522
22	56C-K063	SK063H002022=*	5503	\$2,522
18		SK063H002018=*	6725	\$2,522
16	56C-K073	SK073H002016=*	7566	\$3,104
13		SK073H002013=*	9312	\$3,104

= To be user specified for required output shaft assembly position

= To be user specified for required output bore size

Reference Catalog Page C2 for complete bore size listing
TB = Tapered Bushing Design (reference catalog page C34
for Part Number selection by bore size and List Price
Addition). **Bushings are Sold Separately.*** To be user specified for application required mounting position
(reference catalog page D10 for assembly positions).

C10

2000HB SELECTION AND PRICING - CLASS I**STERLING
ELECTRIC, INC.****Sterli-Seal® Washdown Duty****3 Horsepower**

F/L RPM	SOLID Output Shaft		Output Torque	LIST Price
	Frame	Model No.		
159	182TC-K043	SK043A003159=	1142	\$2,246
146		SK043A003146=	1244	\$2,246
125	182TC-K043	SK043A003125=	1453	\$2,246
109		SK043A003109=	1666	\$2,246
97	182TC-K043	SK043A003097=	1872	\$2,246
88		SK043A003088=	2063	\$2,246
80	182TC-K043	SK043A003080=	2270	\$2,246
70		SK043A003070=	2594	\$2,246
63	182TC-K043	SK043A003063=	2882	\$2,246
55		SK043A003055=	3302	\$2,246
44	182TC-K063	SK063A003044=	4127	\$2,566
36		SK063A003036=	5044	\$2,566
29	182TC-K063	SK063A003029=	6262	\$2,566
23	182TC-K073	SK073A003023=	7895	\$3,112
21		SK073A003021=	8646	\$3,112
17	182TC-K073	SK073A003017=	10681	\$3,112
16		SK073A003016=	11349	\$3,112

3 Horsepower

F/L RPM	HOLLOW Output Shaft		Output Torque	LIST Price
	Frame	Model No.		
159	182TC-K043	SK043H003159=*	1142	\$2,354
146		SK043H003146=*	1244	\$2,354
125	182TC-K043	SK043H003125=*	1453	\$2,354
109		SK043H003109=*	1666	\$2,354
97	182TC-K043	SK043H003097=*	1872	\$2,354
88		SK043H003088=*	2063	\$2,354
80	182TC-K043	SK043H003080=*	2270	\$2,354
70		SK043H003070=*	2594	\$2,354
63	182TC-K043	SK043H003063=*	2882	\$2,354
55		SK043H003055=*	3302	\$2,354
44	182TC-K063	SK063H003044=*	4127	\$2,685
36		SK063H003036=*	5044	\$2,685
29	182TC-K063	SK063H003029=*	6262	\$2,685
23	182TC-K073	SK073H003023=*	7895	\$3,267
21		SK073H003021=*	8646	\$3,267
17	182TC-K073	SK073H003017=*	10681	\$3,267
16		SK073H003016=*	11349	\$3,267

5 Horsepower

F/L RPM	SOLID Output Shaft		Output Torque	LIST Price
	Frame	Model No.		
159	184TC-K043	SK043A005159=	1903	\$2,337
146		SK043A005146=	2072	\$2,337
125	184TC-K043	SK043A005125=	2421	\$2,337
111		SK063A005111=	2726	\$2,657
99	184TC-K063	SK063A005099=	3057	\$2,657
87		SK063A005087=	3478	\$2,657
80	184TC-K063	SK063A005080=	3783	\$2,657
70		SK063A005070=	4323	\$2,657
63	184TC-K063	SK063A005063=	4804	\$2,657
54		SK063A005054=	5604	\$2,657
41	184TC-K073	SK073A005041=	7381	\$3,203
34		SK073A005034=	8901	\$3,203
27	184TC-K073	SK073A005027=	11209	\$3,203
23		SK073A005023=	13158	\$3,203
21	184TC-K073	SK073A005021=	14411	\$3,203

5 Horsepower

F/L RPM	HOLLOW Output Shaft		Output Torque	LIST Price
	Frame	Model No.		
159	184TC-K043	SK043H005159=*	1903	\$2,445
146		SK043H005146=*	2072	\$2,445
125	184TC-K043	SK043H005125=*	2421	\$2,445
111		SK063H005111=*	2726	\$2,776
99	184TC-K063	SK063H005099=*	3057	\$2,776
87		SK063H005087=*	3478	\$2,776
80	184TC-K063	SK063H005080=*	3783	\$2,776
70		SK063H005070=*	4323	\$2,776
63	184TC-K063	SK063H005063=*	4804	\$2,776
54		SK063H005054=*	5604	\$2,776
41	184TC-K073	SK073H005041=*	7381	\$3,358
34		SK073H005034=*	8901	\$3,358
27	184TC-K073	SK073H005027=*	11209	\$3,358
23		SK073H005023=*	13158	\$3,358
21	184TC-K073	SK073H005021=*	14411	\$3,358

7.5 Horsepower

F/L RPM	SOLID Output Shaft		Output Torque	LIST Price
	Frame	Model No.		
157	213TC-K063	SK063AY75157=	2891	\$2,865
140		SK063AY75140=	3242	\$2,865
125	213TC-K063	SK063AY75125=	3632	\$2,865
111		SK063AY75111=	4090	\$2,865
98	213TC-K063	SK063AY75097=	4632	\$2,865
87		SK063AY75087=	5218	\$2,865
80	213TC-K063	SK063AY75080=	5675	\$2,865
75		SK073AY75075=	6053	\$3,411
66	213TC-K073	SK073AY75066=	6878	\$3,411
60		SK073AY75060=	7566	\$3,411
51	213TC-K073	SK073AY75051=	8901	\$3,411
41		SK073AY75041=	11072	\$3,411
34	213TC-K073	SK073AY75034=	13352	\$3,411

7.5 Horsepower

F/L RPM	HOLLOW Output Shaft		Output Torque	LIST Price
	Frame	Model No.		
159	213TC-K063	SK063HY75159=*	2891	\$2,984
146		SK063HY75146=*	3242	\$2,984
125	213TC-K063	SK063HY75125=*	3632	\$2,984
109		SK063HY75109=*	4090	\$2,984
97	213TC-K063	SK063HY75097=*	4632	\$2,984
88		SK063HY75088=*	5218	\$2,984
80	213TC-K063	SK063HY75080=*	5675	\$2,984
75		SK073HY75075=*	6053	\$3,967
66	213TC-K073	SK073HY75066=*	6878	\$3,967
60		SK073HY75060=*	7566	\$3,967
51	213TC-K073	SK073HY75051=*	8901	\$3,967
41		SK073HY75041=*	11072	\$3,967
34	213TC-K073	SK073HY75034=*	13352	\$3,967

= To be user specified for required output shaft assembly position

= To be user specified for required output bore size

Reference Catalog Page C2 for complete bore size listing

TB = Tapered Bushing Design (reference catalog page C34

for Part Number selection by bore size and List Price

Addition). **Bushings are Sold Separately.*** To be user specified for application required mounting position
(reference catalog page D10 for assembly positions).

STERLING
ELECTRIC, INC.
2000HB SELECTION AND PRICING - CLASS I
C11
Sterli-Seal® Washdown Duty
10 Horsepower

F/L RPM	SOLID Output Shaft		Output Torque	LIST Price
	Frame	Model No.		
157	215TC-K063	K063A010157=	3855	\$2,865
140		K063A010140=	4323	\$2,865
125		K063A010125=	4842	\$2,865
111		K063A010111=	5681	\$2,865
105	215TC-K073	K073A010105=	5765	\$3,411
93		K073A010093=	6508	\$3,411
82	215TC-K073	K073A010082=	7381	\$3,411
75		K073A010075=	8070	\$3,411
66		K073A010066=	9171	\$3,411
60	215TC-K073	K073A010060=	10088	\$3,411
51		K073A010051=	11868	\$3,411

10 Horsepower

F/L RPM	HOLLOW Output Shaft		Output Torque	LIST Price
	Frame	Model No.		
157	215TC-K063	K063H010157=*	3855	\$2,984
140		K063H010140=*	4323	\$2,984
125		K063H010125=*	4842	\$2,984
111		K063H010111=*	5681	\$2,984
105	215TC-K073	K073H010105=	5765	\$3,566
93		K073H010093=	6508	\$3,566
82	215TC-K073	K073H010082=	7381	\$3,566
75		K073H010075=	8070	\$3,566
66		K073H010066=	9171	\$3,566
60	215TC-K073	K073H010060=	10088	\$3,566
51		K073H010051=	11868	\$3,566

15 Horsepower

F/L RPM	SOLID Output Shaft		Output Torque	LIST Price
	Frame	Model No.		
148	254TC-K073	K073A015148=	6135	\$4,363
132		K073A015132=	6878	\$4,363
118	254TC-K073	K073A015118=	7694	\$4,363
105		K073A015105=	8647	\$4,363
93		K073A015093=	9763	\$4,363
82		K073A015082=	11072	\$4,363

15 Horsepower

F/L RPM	HOLLOW Output Shaft		Output Torque	LIST Price
	Frame	Model No.		
148	254TC-K073	K073H015148=	6135	\$4,518
132		K073H015132=	6878	\$4,518
118	254TC-K073	K073H015118=	7694	\$4,518
105		K073H015105=	8647	\$4,518
93		K073H015093=	9763	\$4,518
82		K073H015082=	11072	\$4,518

20 Horsepower

F/L RPM	SOLID Output Shaft		Output Torque	LIST Price
	Frame	Model No.		
148	256TC-K073	K073A020148=	8179	\$4,852
132		K073A020132=	9171	\$4,852
118		K073A020118=	10259	\$4,852

20 Horsepower

F/L RPM	HOLLOW Output Shaft		Output Torque	LIST Price
	Frame	Model No.		
148	256TC-K073	K073H020148=	8179	\$5,007
132		K073H020132=	9171	\$5,007
118		K073H020118=	10259	\$5,007

= To be user specified for required output shaft assembly position

= To be user specified for required output bore size

Reference Catalog Page C2 for complete bore size listing

 TB = Tapered Bushing Design (reference catalog page C34 for Part Number selection by bore size and List Price Addition). **Bushings are Sold Separately.**

* To be user specified for application required mounting position (reference catalog page D10 for assembly positions).

C12

2000HB SELECTION AND PRICING - CLASS I**STERLING
ELECTRIC, INC.****Sterli-Seal® All Stainless Steel Washdown Duty****.33 Horsepower**

F/L RPM	SOLID Output Shaft		Output Torque	LIST Price
	Frame	Model No.		
159	56C-K043	SSK043AY03159=	126	\$3,598
146		SSK043AY03146=	137	\$3,598
125		SSK043AY03125=	160	\$3,598
109	56C-K043	SSK043AY03109=	183	\$3,598
97		SSK043AY03097=	206	\$3,598
88		SSK043AY03088=	227	\$3,598
80	56C-K043	SSK043AY03080=	250	\$3,598
70		SSK043AY03070=	285	\$3,598
63		SSK043AY03063=	317	\$3,598
55	56C-K043	SSK043AY03055=	363	\$3,598
44		SSK043AY03044=	454	\$3,598
35		SSK043AY03035=	571	\$3,598
29	56C-K043	SSK043AY03029=	689	\$3,598
25		SSK043AY03025=	799	\$3,598
22		SSK043AY03022=	908	\$3,598
18	56C-K043	SSK043AY03018=	1110	\$3,598
16		SSK043AY03016=	1248	\$3,598
14		SSK043AY03014=	1426	\$3,598

.33 Horsepower

F/L RPM	HOLLOW Output Shaft		Output Torque	LIST Price
	Frame	Model No.		
159	56C-K043	SSK043HY03159=*	126	\$3,829
146		SSK043HY03146=*	137	\$3,829
125		SSK043HY03125=*	160	\$3,829
109	56C-K043	SSK043HY03109=*	183	\$3,829
97		SSK043HY03097=*	206	\$3,829
88		SSK043HY03088=*	227	\$3,829
80	56C-K043	SSK043HY03080=*	250	\$3,829
70		SSK043HY03070=*	285	\$3,829
63		SSK043HY03063=*	317	\$3,829
55	56C-K043	SSK043HY03055=*	363	\$3,829
44		SSK043HY03044=*	454	\$3,829
35		SSK043HY03035=*	571	\$3,829
29	56C-K043	SSK043HY03029=*	689	\$3,829
25		SSK043HY03025=*	799	\$3,829
22		SSK043HY03022=*	908	\$3,829
18	56C-K043	SSK043HY03018=*	1110	\$3,829
16		SSK043HY03016=*	1248	\$3,829
14		SSK043HY03014=*	1426	\$3,829

.50 Horsepower

F/L RPM	SOLID Output Shaft		Output Torque	LIST Price
	Frame	Model No.		
159	56C-K043	SSK043AY05159=	190	\$3,609
146		SSK043AY05146=	207	\$3,609
125		SSK043AY05125=	242	\$3,609
109	56C-K043	SSK043AY05109=	277	\$3,609
97		SSK043AY05097=	312	\$3,609
88		SSK043AY05088=	344	\$3,609
80	56C-K043	SSK043AY05080=	378	\$3,609
70		SSK043AY05070=	432	\$3,609
63		SSK043AY05063=	480	\$3,609
55	56C-K043	SSK043AY05055=	550	\$3,609
44		SSK043AY05044=	688	\$3,609
35		SSK043AY05035=	865	\$3,609
29	56C-K043	SSK043AY05029=	1044	\$3,609
25		SSK043AY05025=	1211	\$3,609
22		SSK043AY05022=	1376	\$3,609
18	56C-K043	SSK043AY05018=	1681	\$3,609
16		SSK043AY05016=	1892	\$3,609
14		SSK043AY05014=	2162	\$3,609

.50 Horsepower

F/L RPM	HOLLOW Output Shaft		Output Torque	LIST Price
	Frame	Model No.		
159	56C-K043	SSK043HY05159=*	190	\$3,840
146		SSK043HY05146=*	207	\$3,840
125		SSK043HY05125=*	242	\$3,840
109	56C-K043	SSK043HY05109=*	277	\$3,840
97		SSK043HY05097=*	312	\$3,840
88		SSK043HY05088=*	344	\$3,840
80	56C-K043	SSK043HY05080=*	378	\$3,840
70		SSK043HY05070=*	432	\$3,840
63		SSK043HY05063=*	480	\$3,840
55	56C-K043	SSK043HY05055=*	550	\$3,840
44		SSK043HY05044=*	688	\$3,840
35		SSK043HY05035=*	865	\$3,840
29	56C-K043	SSK043HY05029=*	1044	\$3,840
25		SSK043HY05025=*	1211	\$3,840
22		SSK043HY05022=*	1376	\$3,840
18	56C-K043	SSK043HY05018=*	1681	\$3,840
16		SSK043HY05016=*	1892	\$3,840
14		SSK043HY05014=*	2162	\$3,840

.75 Horsepower

F/L RPM	SOLID Output Shaft		Output Torque	LIST Price
	Frame	Model No.		
159	56C-K043	SSK043AY07159=	286	\$3,675
146		SSK043AY07146=	311	\$3,675
125		SSK043AY07125=	363	\$3,675
109	56C-K043	SSK043AY07109=	416	\$3,675
97		SSK043AY07097=	468	\$3,675
88		SSK043AY07088=	516	\$3,675
80	56C-K043	SSK043AY07080=	567	\$3,675
70		SSK043AY07070=	649	\$3,675
63		SSK043AY07063=	721	\$3,675
55	56C-K043	SSK043AY07055=	825	\$3,675
44		SSK043AY07044=	1032	\$3,675
35		SSK043AY07035=	1297	\$3,675
29	56C-K043	SSK043AY07029=	1565	\$3,675
25		SSK043AY07025=	1816	\$3,675
22		SSK043AY07022=	2063	\$3,675
18	56C-K043	SSK043AY07018=	2522	\$3,675
16		SSK043AY07016=	2837	\$3,675
14		SSK043AY07014=	3243	\$3,675

.75 Horsepower

F/L RPM	HOLLOW Output Shaft		Output Torque	LIST Price
	Frame	Model No.		
159	56C-K043	SSK043HY07159=*	286	\$3,906
146		SSK043HY07146=*	311	\$3,906
125		SSK043HY07125=*	363	\$3,906
109	56C-K043	SSK043HY07109=*	416	\$3,906
97		SSK043HY07097=*	468	\$3,906
88		SSK043HY07088=*	516	\$3,906
80	56C-K043	SSK043HY07080=*	567	\$3,906
70		SSK043HY07070=*	649	\$3,906
63		SSK043HY07063=*	721	\$3,906
55	56C-K043	SSK043HY07055=*	825	\$3,906
44		SSK043HY07044=*	1032	\$3,906
35		SSK043HY07035=*	1297	\$3,906
29	56C-K043	SSK043HY07029=*	1565	\$3,906
25		SSK043HY07025=*	1816	\$3,906
22		SSK043HY07022=*	2063	\$3,906
18	56C-K043	SSK043HY07018=*	2522	\$3,906
16		SSK043HY07016=*	2837	\$3,906
14		SSK043HY07014=*	3243	\$3,906

= To be user specified for required output shaft assembly position

= To be user specified for required output bore size

Reference Catalog Page C2 for complete bore size listing

TB = Tapered Bushing Design (reference catalog page C34

for Part Number selection by bore size and List Price

Addition). **Bushings are Sold Separately.**

* To be user specified for application required mounting position

(reference catalog page D10 for assembly positions).

**STERLING
ELECTRIC, INC.****2000HB SELECTION AND PRICING - CLASS I****C13****Sterli-Seal® All Stainless Steel Washdown Duty**

1 Horsepower				
F/L RPM	SOLID Output Shaft		Output Torque	LIST Price
	Frame	Model No.		
159	56C-K043	SSK043A001159=	381	\$3,696
146		SSK043A001146=	415	\$3,696
125	56C-K043	SSK043A001125=	484	\$3,696
109		SSK043A001109=	555	\$3,696
97	56C-K043	SSK043A001097=	624	\$3,696
88		SSK043A001088=	688	\$3,696
80	56C-K043	SSK043A001080=	757	\$3,696
70		SSK043A001070=	865	\$3,696
63	56C-K043	SSK043A001063=	961	\$3,696
55		SSK043A001055=	1101	\$3,696
44	56C-K043	SSK043A001044=	1376	\$3,696
35		SSK043A001035=	1729	\$3,696
29	56C-K043	SSK043A001029=	2087	\$3,696
25		SSK043A001025=	2421	\$3,696
22	56C-K043	SSK043A001022=	2751	\$3,696
18		SSK043A001018=	3363	\$3,696
16	56C-K043	SSK043A001016=	3783	\$3,696
14	56C-K063	SSK063A001014=	4323	\$5,035

1 Horsepower				
F/L RPM	HOLLOW Output Shaft		Output Torque	LIST Price
	Frame	Model No.		
159	56C-K043	SSK043H001159=* SSK043H001146=* SSK043H001125=* SSK043H001109=* SSK043H001097=* SSK043H001088=* SSK043H001080=* SSK043H001070=* SSK043H001063=* SSK043H001055=* SSK043H001044=* SSK043H001035=* SSK043H001029=* SSK043H001025=* SSK043H001022=* SSK043H001018=* SSK043H001016=* SSK063H001014=*	381 415 484 555 624 688 757 865 961 1101 1376 1729 2087 2421 2751 3363 3783 4323	\$3,927 \$3,927 \$3,927 \$3,927 \$3,927 \$3,927 \$3,927 \$3,927 \$3,927 \$3,927 \$3,927 \$3,927 \$3,927 \$3,927 \$3,927 \$3,927 \$3,927 \$3,927 \$5,325

1.5 Horsepower				
F/L RPM	SOLID Output Shaft		Output Torque	LIST Price
	Frame	Model No.		
159	56C-K043	SSK043AY15159=	571	\$3,718
146		SSK043AY15146=	622	\$3,718
125	56C-K043	SSK043AY15125=	726	\$3,718
109		SSK043AY15109=	833	\$3,718
97	56C-K043	SSK043AY15097=	936	\$3,718
88		SSK043AY15088=	1032	\$3,718
80	56C-K043	SSK043AY15080=	1135	\$3,718
70		SSK043AY15070=	1297	\$3,718
63	56C-K043	SSK043AY15063=	1441	\$3,718
55		SSK043AY15055=	1651	\$3,718
44	56C-K043	SSK043AY15044=	2063	\$3,718
35		SSK043AY15035=	2594	\$3,718
29	56C-K043	SSK043AY15029=	3131	\$3,718
25	56C-K063	SSK063AY15025=	3632	\$5,057
22		SSK063AY15022=	4127	\$5,057
18	56C-K063	SSK063AY15018=	5044	\$5,057
16		SSK063AY15016=	5675	\$5,057
14	56C-K063	SSK063AY15014=	6485	\$5,057

1.5 Horsepower				
F/L RPM	HOLLOW Output Shaft		Output Torque	LIST Price
	Frame	Model No.		
159	56C-K043	SSK043HY15159=* SSK043HY15146=* SSK043HY15125=* SSK043HY15109=* SSK043HY15097=* SSK043HY15088=* SSK043HY15080=* SSK043HY15070=* SSK043HY15063=* SSK043HY15055=* SSK043HY15044=* SSK043HY15035=* SSK043HY15029=* SSK063HY15025=* SSK063HY15022=* SSK063HY15018=* SSK063HY15016=* SSK063HY15014=* SSK063HY15014=*	571 622 726 833 936 1032 1135 1297 1441 1651 2063 2594 3131 3632 4127 5044 5675 6485	\$3,949 \$3,949 \$3,949 \$3,949 \$3,949 \$3,949 \$3,949 \$3,949 \$3,949 \$3,949 \$3,949 \$3,949 \$3,949 \$5,347 \$5,347 \$5,347 \$5,347 \$5,347 \$5,347

2 Horsepower				
F/L RPM	SOLID Output Shaft		Output Torque	LIST Price
	Frame	Model No.		
159	56C-K043	SSK043A002159=	305	\$3,791
146		SSK043A002146=	829	\$3,791
125	56C-K043	SSK043A002125=	968	\$3,791
109		SSK043A002109=	1111	\$3,791
97	56C-K043	SSK043A002097=	1248	\$3,791
88		SSK043A002088=	1376	\$3,791
80	56C-K043	SSK043A002080=	1513	\$3,791
70		SSK043A002070=	1729	\$3,791
63	56C-K043	SSK043A002063=	1922	\$3,791
55		SSK043A002055=	2201	\$3,791
44	56C-K043	SSK043A002044=	2751	\$3,791
35		SSK043A002035=	3459	\$3,791
29	56C-K063	SSK063A002029=	4174	\$5,130
25		SSK063A002025=	4842	\$5,130
22	56C-K063	SSK063A002022=	5503	\$5,130
18		SSK063A002018=	6725	\$5,130

2 Horsepower				
F/L RPM	HOLLOW Output Shaft		Output Torque	LIST Price
	Frame	Model No.		
159	56C-K043	SSK043H002159=* SSK043H002146=* SSK043H002125=* SSK043H002109=* SSK043H002097=* SSK043H002088=* SSK043H002080=* SSK043H002070=* SSK043H002063=* SSK043H002055=* SSK043H002044=* SSK043H002035=* SSK063H002029=* SSK063H002025=* SSK063H002022=* SSK063H002018=* SSK063H002018=*	305 829 968 1111 1248 1376 1513 1729 1922 2201 2751 3459 4174 4842 5503 6725 6725	\$4,022 \$4,022 \$4,022 \$4,022 \$4,022 \$4,022 \$4,022 \$4,022 \$4,022 \$4,022 \$4,022 \$4,022 \$5,420 \$5,420 \$5,420 \$5,420 \$5,420

= To be user specified for required output shaft assembly position

= To be user specified for required output bore size

Reference Catalog Page C2 for complete bore size listing
TB = Tapered Bushing Design (reference catalog page C34
for Part Number selection by bore size and List Price
Addition). **Bushings are Sold Separately.*** To be user specified for application required mounting position
(reference catalog page D10 for assembly positions).

C14

2000HB SELECTION AND PRICING - CLASS I**STERLING
ELECTRIC, INC.****Sterli-Seal® All Stainless Steel Washdown Duty**

3 Horsepower				
F/L RPM	SOLID Output Shaft		Output Torque	LIST Price
	Frame	Model No.		
159	182TC-K043	SSK043A003159=	1142	\$4,175
146		SSK043A003146=	1244	\$4,175
125	182TC-K043	SSK043A003125=	1453	\$4,175
109		SSK043A003109=	1666	\$4,175
97	182TC-K043	SSK043A003097=	1872	\$4,175
88		SSK043A003088=	2063	\$4,175
80	182TC-K043	SSK043A003080=	2270	\$4,175
70		SSK043A003070=	2594	\$4,175
63	182TC-K043	SSK043A003063=	2882	\$4,175
55		SSK043A003055=	3302	\$4,175
44	182TC-K063	SSK063A003044=	4127	\$5,514
35		SSK063A003035=	5188	\$5,514
29	182TC-K063	SSK063A003029=	6262	\$5,514

3 Horsepower				
F/L RPM	HOLLOW Output Shaft		Output Torque	LIST Price
	Frame	Model No.		
159	182TC-K043	SSK043H003159=*	1142	\$4,406
146		SSK043H003146=*	1244	\$4,406
125	182TC-K043	SSK043H003125=*	1453	\$4,406
109		SSK043H003109=*	1666	\$4,406
97	182TC-K043	SSK043H003097=*	1872	\$4,406
88		SSK043H003088=*	2063	\$4,406
80	182TC-K043	SSK043H003080=*	2270	\$4,406
70		SSK043H003070=*	2594	\$4,406
63	182TC-K043	SSK043H003063=*	2882	\$4,406
55		SSK043H003055=*	3302	\$4,406
44	182TC-K063	SSK063H003044=*	4127	\$5,804
35		SSK063H003035=*	5188	\$5,804
29	182TC-K063	SSK063H003029=*	6262	\$5,804

5 Horsepower				
F/L RPM	SOLID Output Shaft		Output Torque	LIST Price
	Frame	Model No.		
159	184TC-K043	SSK043A005159=	1903	\$4,332
146		SSK043A005146=	2072	\$4,322
125	184TC-K043	SSK043A005125=	2421	\$4,322
109		SSK063A005109=	2777	\$5,671
97	184TC-K063	SSK063A005097=	3120	\$5,671
88		SSK063A005088=	3439	\$5,671
80	184TC-K063	SSK063A005080=	3783	\$5,671
70		SSK063A005070=	4323	\$5,671
63	184TC-K063	SSK063A005063=	4804	\$5,671
55		SSK063A005055=	5503	\$5,671

5 Horsepower				
F/L RPM	HOLLOW Output Shaft		Output Torque	LIST Price
	Frame	Model No.		
159	184TC-K043	SSK043H005159=*	1903	\$4,563
146		SSK043H005146=*	2072	\$4,563
125	184TC-K043	SSK043H005125=*	2421	\$4,563
109		SSK063H005109=*	2777	\$5,961
97	184TC-K063	SSK063H005097=*	3120	\$5,961
88		SSK063H005088=*	3439	\$5,961
80	184TC-K063	SSK063H005080=*	3783	\$5,961
70		SSK063H005070=*	4323	\$5,961
63	184TC-K063	SSK063H005063=*	4804	\$5,961
55		SSK063H005055=*	5503	\$5,961

7.5 Horsepower				
F/L RPM	SOLID Output Shaft		Output Torque	LIST Price
	Frame	Model No.		
159	213TC-K063	SSK063AY75159=	2855	\$6,363
146		SSK063AY75146=	3109	\$6,363
125	213TC-K063	SSK063AY75125=	3632	\$6,363
109		SSK063AY75109=	4165	\$6,363
97	213TC-K063	SSK063AY75097=	4680	\$6,363
88		SSK063AY75088=	5159	\$6,363
80	213TC-K063	SSK063AY75080=	5675	\$6,363

7.5 Horsepower				
F/L RPM	HOLLOW Output Shaft		Output Torque	LIST Price
	Frame	Model No.		
159	213TC-K063	SSK063HY75159=*	2855	\$6,653
146		SSK063HY75146=*	3109	\$6,653
125	213TC-K063	SSK063HY75125=*	3632	\$6,653
109		SSK063HY75109=*	4165	\$6,653
97	213TC-K063	SSK063HY75097=*	4680	\$6,653
88		SSK063HY75088=*	5159	\$6,653
80	213TC-K063	SSK063HY75080=*	5675	\$6,653

10 Horsepower				
F/L RPM	SOLID Output Shaft		Output Torque	LIST Price
	Frame	Model No.		
159	215TC-K063	SSK063A010159=	3807	\$6,541
146		SSK063A010146=	4146	\$6,541
125	215TC-K063	SSK063A010125=	4842	\$6,541
109		SSK063A010109=	5553	\$6,541

10 Horsepower				
F/L RPM	HOLLOW Output Shaft		Output Torque	LIST Price
	Frame	Model No.		
159	215TC-K063	SSK063H010159=*	3807	6,831
146		SSK063H010146=*	4146	6,831
125	215TC-K063	SSK063H010125=*	4842	6,831
109		SSK063H010109=*	5553	6,831

= To be user specified for required output shaft assembly position

= To be user specified for required output bore size
Reference Catalog Page C2 for complete bore size listing
TB = Tapered Bushing Design (reference catalog page C34
for Part Number selection by bore size and List Price
Addition). **Bushings are Sold Separately.**

* To be user specified for application required mounting position
(reference catalog page D10 for assembly positions).

**STERLING
ELECTRIC, INC.****2000HB SELECTION AND PRICING - CLASS I****C15****Inverter Duty – 10:1 (6-60Hz) Constant Torque Rated**

1 Horsepower				
F/L	SOLID Output Shaft		Output Torque	LIST Price
RPM	Frame	Model No.		
159	56C-K043	IK043A001159=	381	\$2,045
146		IK043A001146=	415	\$2,045
125		IK043A001125=	484	\$2,045
109	56C-K043	IK043A001109=	555	\$2,045
97		IK043A001097=	624	\$2,045
88		IK043A001088=	688	\$2,045
80	56C-K043	IK043A001080=	757	\$2,045
70		IK043A001070=	865	\$2,045
63		IK043A001063=	961	\$2,045
55	56C-K043	IK043A001055=	1101	\$2,045
44		IK043A001044=	1376	\$2,045
35		IK043A001035=	1729	\$2,045
29	56C-K043	IK043A001029=	2087	\$2,045
25		IK043A001025=	2421	\$2,045
22		IK043A001022=	2751	\$2,045
18	56C-K043	IK043A001018=	3363	\$2,045
16		IK043A001016=	3783	\$2,045
15		56C-K063	IK063A001015=	4035

1 Horsepower					
F/L	HOLLOW Output Shaft		Output Torque	LIST Price	
RPM	Frame	Model No.			
159	56C-K043	IK043H001159=*	381	\$2,143	
146		IK043H001146=*	415	\$2,143	
125		56C-K043	IK043H001125=*	484	\$2,143
109	56C-K043	IK043H001109=*	555	\$2,143	
97		IK043H001097=*	624	\$2,143	
88		IK043H001088=*	688	\$2,143	
80	56C-K043	IK043H001080=*	757	\$2,143	
70		IK043H001070=*	865	\$2,143	
63		56C-K043	IK043H001063=*	961	\$2,143
55	56C-K043	IK043H001055=*	1101	\$2,143	
44		IK043H001044=*	1376	\$2,143	
35		IK043H001035=*	1729	\$2,143	
29	56C-K043	IK043H001029=*	2087	\$2,143	
25		IK043H001025=*	2421	\$2,143	
22		56C-K043	IK043H001022=*	2751	\$2,143
18	56C-K043	IK043H001018=*	3363	\$2,143	
16		56C-K043	IK043H001016=*	3783	\$2,143
15		56C-K063	IK063H001015=*	4035	\$2,444

1.5 Horsepower					
F/L	SOLID Output Shaft		Output Torque	LIST Price	
RPM	Frame	Model No.			
159	56C-K043	IK043AY15159=	571	\$2,103	
146		IK043AY15146=	622	\$2,103	
125		56C-K043	IK043AY15125=	726	\$2,103
109	56C-K043	IK043AY15109=	833	\$2,103	
97		IK043AY15097=	936	\$2,103	
88		IK043AY15088=	1032	\$2,103	
80	56C-K043	IK043AY15080=	1135	\$2,103	
70		IK043AY15070=	1297	\$2,103	
63		56C-K043	IK043AY15063=	1441	\$2,103
55	56C-K043	IK043AY15055=	1651	\$2,103	
44		IK043AY15044=	2063	\$2,103	
35		IK043AY15035=	2594	\$2,103	
29	56C-K043	IK043AY15029=	3131	\$2,103	
25		56C-K063	IK063AY15025=	3632	\$2,394
22		IK063AY15022=	4127	\$2,394	
18	56C-K063	IK063AY15018=	5044	\$2,394	
16		IK063AY15016=	5675	\$2,394	
15		56C-K063	IK063AY15015=	6053	\$2,394

1.5 Horsepower					
F/L	HOLLOW Output Shaft		Output Torque	LIST Price	
RPM	Frame	Model No.			
159	56C-K043	IK043HY15159=*	571	\$2,201	
146		IK043HY15146=*	622	\$2,201	
125		56C-K043	IK043HY15125=*	726	\$2,201
109	56C-K043	IK043HY15109=*	833	\$2,201	
97		IK043HY15097=*	936	\$2,201	
88		IK043HY15088=*	1032	\$2,201	
80	56C-K043	IK043HY15080=*	1135	\$2,201	
70		IK043HY15070=*	1297	\$2,201	
63		56C-K043	IK043HY15063=*	1441	\$2,201
55	56C-K043	IK043HY15055=*	1651	\$2,201	
44		IK043HY15044=*	2063	\$2,201	
35		IK043HY15035=*	2594	\$2,201	
29	56C-K043	IK043HY15029=*	3131	\$2,201	
25		56C-K063	IK063HY15025=*	3632	\$2,502
22		IK063HY15022=*	4127	\$2,502	
18	56C-K063	IK063HY15018=*	5044	\$2,502	
16		IK063HY15016=*	5675	\$2,502	
15		56C-K063	IK063HY15015=*	6053	\$2,502

2 Horsepower				
F/L	SOLID Output Shaft		Output Torque	LIST Price
RPM	Frame	Model No.		
159	56C-K043	IK043A002159=	305	\$2,161
146		IK043A002146=	829	\$2,161
125		56C-K043	IK043A002125=	968
109	56C-K043	IK043A002109=	1111	\$2,161
97		IK043A002097=	1248	\$2,161
88		IK043A002088=	1376	\$2,161
80	56C-K043	IK043A002080=	1513	\$2,161
70		IK043A002070=	1729	\$2,161
63		56C-K043	IK043A002063=	1922
55	56C-K043	IK043A002055=	2201	\$2,161
44		IK043A002044=	2751	\$2,161
35		IK043A002035=	3459	\$2,161
29	56C-K063	IK063A002029=	4174	\$2,452
25		IK063A002025=	4842	\$2,452
22		56C-K063	IK063A002022=	5503
18	56C-K073	IK063A002018=	6725	\$2,452
16		IK073A003016=	7566	\$2,948
13		IK073A003013=	9312	\$2,948

2 Horsepower				
F/L	HOLLOW Output Shaft		Output Torque	LIST Price
RPM	Frame	Model No.		
159	56C-K043	IK043H002159=*	305	\$2,259
146		IK043H002146=*	829	\$2,259
125		56C-K043	IK043H002125=*	968
109	56C-K043	IK043H002109=*	1111	\$2,259
97		IK043H002097=*	1248	\$2,259
88		IK043H002088=*	1376	\$2,259
80	56C-K043	IK043H002080=*	1513	\$2,259
70		IK043H002070=*	1729	\$2,259
63		56C-K043	IK043H002063=*	1922
55	56C-K043	IK043H002055=*	2201	\$2,259
44		IK043H002044=*	2751	\$2,259
35		IK043H002035=*	3459	\$2,259
29	56C-K063	IK063H002029=*	4174	\$2,560
25		IK063H002025=*	4842	\$2,560
22		56C-K063	IK063H002022=*	5503
18	56C-K073	IK063H002018=*	6725	\$2,560
16		IK073H002016=*	7566	\$3,089
13		IK073H002013=*	9312	\$3,089

= To be user specified for required output shaft assembly position

= To be user specified for required output bore size

Reference Catalog Page C2 for complete bore size listing

TB = Tapered Bushing Design (reference catalog page C34

for Part Number selection by bore size and List Price

Addition). **Bushings are Sold Separately.**

* To be user specified for application required mounting position (reference catalog page D10 for assembly positions).

C16

2000HB SELECTION AND PRICING - CLASS I**STERLING
ELECTRIC, INC.****Inverter Duty – 10:1 (6-60Hz) Constant Torque Rated****3 Horsepower**

F/L RPM	SOLID Output Shaft		Output Torque	LIST Price
	Frame	Model No.		
159	182TC-K043	IK043A003159=	1142	\$2,246
146		IK043A003146=	1244	\$2,246
125		IK043A003125=	1453	\$2,246
109	182TC-K043	IK043A003109=	1666	\$2,246
97		IK043A003097=	1872	\$2,246
88		IK043A003088=	2063	\$2,246
80	182TC-K043	IK043A003080=	2270	\$2,246
70		IK043A003070=	2594	\$2,246
63		IK043A003063=	2882	\$2,246
55	182TC-K063	IK043A003055=	3302	\$2,246
44		IK063A003044=	4127	\$2,537
36		IK063A003036=	5044	\$2,537
29	182TC-K073	IK063A003029=	6262	\$2,537
23		IK073A003023=	7895	\$3,033
21		IK073A003021=	8646	\$3,033
17	182TC-K073	IK073A003017=	10681	\$3,033
16		IK073A003016=	11349	\$3,033

3 Horsepower

F/L RPM	HOLLOW Output Shaft		Output Torque	LIST Price
	Frame	Model No.		
159	182TC-K043	IK043H003159=*	1142	\$2,344
146		IK043H003146=*	1244	\$2,344
125		IK043H003125=*	1453	\$2,344
109	182TC-K043	IK043H003109=*	1666	\$2,344
97		IK043H003097=*	1872	\$2,344
88		IK043H003088=*	2063	\$2,344
80	182TC-K043	IK043H003080=*	2270	\$2,344
70		IK043H003070=*	2594	\$2,344
63		IK043H003063=*	2882	\$2,344
55	182TC-K063	IK043H003055=*	3302	\$2,344
44		IK063H003044=*	4127	\$2,645
36		IK063H003036=*	5044	\$2,645
29	182TC-K073	IK063H003029=*	6262	\$2,645
23		IK073H003023=*	7895	\$3,174
21		IK073H003021=*	8646	\$3,174
17	182TC-K073	IK073H003017=*	10681	\$3,174
16		IK073H003016=*	11349	\$3,174

5 Horsepower

F/L RPM	SOLID Output Shaft		Output Torque	LIST Price
	Frame	Model No.		
159	184TC-K043	IK043A005159=	1903	\$2,355
146		IK043A005146=	2072	\$2,355
125		IK043A005125=	2421	\$2,355
111	184TC-K063	IK063A005111=	2726	\$2,646
99		IK063A005099=	3057	\$2,646
87		IK063A005087=	3478	\$2,646
80	184TC-K063	IK063A005080=	3783	\$2,646
70		IK063A005070=	4323	\$2,646
63		IK063A005063=	4804	\$2,646
54	184TC-K063	IK063A005054=	5604	\$2,646
41		IK073A005041=	7381	\$3,142
34		IK073A005034=	8901	\$3,142
27	184TC-K073	IK073A005027=	11209	\$3,142
23		IK073A005023=	13158	\$3,142
21		IK073A005021=	14411	\$3,142

5 Horsepower

F/L RPM	HOLLOW Output Shaft		Output Torque	LIST Price
	Frame	Model No.		
159	184TC-K043	IK043H005159=*	1903	\$2,453
146		IK043H005146=*	2072	\$2,453
125		IK043H005125=*	2421	\$2,453
111	184TC-K063	IK063H005111=*	2726	\$2,754
99		IK063H005099=*	3057	\$2,754
87		IK063H005087=*	3478	\$2,754
80	184TC-K063	IK063H005080=*	3783	\$2,754
70		IK063H005070=*	4323	\$2,754
63		IK063H005063=*	4804	\$2,754
54	184TC-K063	IK063H005054=*	5604	\$2,754
41		IK073H005041=*	7381	\$3,283
34		IK073H005034=*	8901	\$3,283
27	184TC-K073	IK073H005027=*	11209	\$3,283
23		IK073H005023=*	13158	\$3,283
21		IK073H005021=*	14411	\$3,283

7.5 Horsepower

F/L RPM	SOLID Output Shaft		Output Torque	LIST Price
	Frame	Model No.		
157	213TC-K063	IK063AY75157=	2891	\$2,952
140		IK063AY75140=	3242	\$2,952
125		IK063AY75125=	3632	\$2,952
111	213TC-K063	IK063AY75111=	4090	\$2,952
98		IK063AY75097=	4632	\$2,952
87		IK063AY75087=	5218	\$2,952
80	213TC-K063	IK063AY75080=	5675	\$2,952
75		IK073AY75075=	6053	\$3,448
66		IK073AY75066=	6878	\$3,448
60	213TC-K073	IK073AY75060=	7566	\$3,448
51		IK073AY75051=	8901	\$3,448
41		IK073AY75041=	11072	\$3,448
34	213TC-K073	IK073AY75034=	13352	\$3,448

7.5 Horsepower

F/L RPM	HOLLOW Output Shaft		Output Torque	LIST Price
	Frame	Model No.		
159	213TC-K063	IK063HY75159=*	2891	\$3,060
146		IK063HY75146=*	3242	\$3,060
125		IK063HY75125=*	3632	\$3,060
109	213TC-K063	IK063HY75109=*	4090	\$3,060
97		IK063HY75097=*	4632	\$3,060
88		IK063HY75088=*	5218	\$3,060
80	213TC-K063	IK063HY75080=*	5675	\$3,060
75		IK073HY75075=*	6053	\$3,589
66		IK073HY75066=*	6878	\$3,589
60	213TC-K073	IK073HY75060=*	7566	\$3,589
51		IK073HY75051=*	8901	\$3,589
41		IK073HY75041=*	11072	\$3,589
34	213TC-K073	IK073HY75034=*	13352	\$3,589

= To be user specified for required output shaft assembly position

= To be user specified for required output bore size

Reference Catalog Page C2 for complete bore size listing

TB = Tapered Bushing Design (reference catalog page C34

for Part Number selection by bore size and List Price

Addition). **Bushings are Sold Separately.**

* To be user specified for application required mounting position

(reference catalog page D10 for assembly positions).

STERLING
ELECTRIC, INC.
2000HB SELECTION AND PRICING - CLASS I
C17
Inverter Duty – 10:1 (6-60Hz) Constant Torque Rated
10 Horsepower

F/L RPM	SOLID Output Shaft		Output Torque	LIST Price
	Frame	Model No.		
157	215TC-K063	IK063A010157=	3855	\$3,165
140		IK063A010140=	4323	\$3,165
125		IK063A010125=	4842	\$3,165
111		IK063A010111=	5681	\$3,165
105	215TC-K073	IK073A010105=	5765	\$3,661
93		IK073A010093=	6508	\$3,661
82	215TC-K073	IK073A010082=	7381	\$3,661
75		IK073A010075=	8070	\$3,661
66		IK073A010066=	9171	\$3,661
60	215TC-K073	IK073A010060=	10088	\$3,661
51		IK073A010051=	11868	\$3,661

10 Horsepower

F/L RPM	HOLLOW Output Shaft		Output Torque	LIST Price
	Frame	Model No.		
157	215TC-K063	IK063H010157=*	3855	\$3,273
140		IK063H010140=*	4323	\$3,273
125		IK063H010125=*	4842	\$3,273
111		IK063H010111=*	5681	\$3,273
105	215TC-K073	IK073H010105=	5765	\$3,802
93		IK073H010093=	6508	\$3,802
82	215TC-K073	IK073H010082=	7381	\$3,802
75		IK073H010075=	8070	\$3,802
66		IK073H010066=	9171	\$3,802
60	215TC-K073	IK073H010060=	10088	\$3,802
51		IK073H010051=	11868	\$3,802

15 Horsepower

F/L RPM	SOLID Output Shaft		Output Torque	LIST Price
	Frame	Model No.		
148	254TC-K073	IK073A015148=	6135	\$4,774
132		IK073A015132=	6878	\$4,774
118		IK073A015118=	7694	\$4,774
105		IK073A015105=	8647	\$4,774
93	254TC-K073	IK073A015093=	9763	\$4,774
82		IK073A015082=	11072	\$4,774

15 Horsepower

F/L RPM	HOLLOW Output Shaft		Output Torque	LIST Price
	Frame	Model No.		
148	254TC-K073	IK073H015148=	6135	\$4,915
132		IK073H015132=	6878	\$4,915
118		IK073H015118=	7694	\$4,915
105		IK073H015105=	8647	\$4,915
93	254TC-K073	IK073H015093=	9763	\$4,915
82		IK073H015082=	11072	\$4,915

20 Horsepower

F/L RPM	SOLID Output Shaft		Output Torque	LIST Price
	Frame	Model No.		
148	256TC-K073	IK073A020148=	8179	\$5,039
132		IK073A020132=	9171	\$5,039
118	256TC-K073	IK073A020118=	10259	\$5,039

20 Horsepower

F/L RPM	HOLLOW Output Shaft		Output Torque	LIST Price
	Frame	Model No.		
148	256TC-K073	IK073H020148=	8179	\$5,180
132		IK073H020132=	9171	\$5,180
118	256TC-K073	IK073H020118=	10259	\$5,180

= To be user specified for required output shaft assembly position

= To be user specified for required output bore size

 Reference Catalog Page C2 for complete bore size listing
 TB = Tapered Bushing Design (reference catalog page C34
 for Part Number selection by bore size and List Price
 Addition). **Bushings are Sold Separately.**

 * To be user specified for application required mounting position
 (reference catalog page D10 for assembly positions).

C18

2000HB SELECTION AND PRICING - CLASS I**STERLING
ELECTRIC, INC.****Sterli-Seal® Washdown Inverter Duty – 10:1 (6-60Hz) Constant Torque Rated****1 Horsepower**

F/L RPM	SOLID Output Shaft		Output Torque	LIST Price
	Frame	Model No.		
159	56C-K043	SIK043A001159=	381	\$2,455
146		SIK043A001146=	415	\$2,455
125	56C-K043	SIK043A001125=	484	\$2,455
109		SIK043A001109=	555	\$2,455
97	56C-K043	SIK043A001097=	624	\$2,455
88		SIK043A001088=	688	\$2,455
80	56C-K043	SIK043A001080=	757	\$2,455
70		SIK043A001070=	865	\$2,455
63	56C-K043	SIK043A001063=	961	\$2,455
55		SIK043A001055=	1101	\$2,455
44	56C-K043	SIK043A001044=	1376	\$2,455
35		SIK043A001035=	1729	\$2,455
29	56C-K043	SIK043A001029=	2087	\$2,455
25		SIK043A001025=	2421	\$2,455
22	56C-K043	SIK043A001022=	2751	\$2,455
18		SIK043A001018=	3363	\$2,455
16	56C-K043	SIK043A001016=	3783	\$2,455
15	56C-K063	SIK063A001015=	4035	\$2,775

1 Horsepower

F/L RPM	HOLLOW Output Shaft		Output Torque	LIST Price
	Frame	Model No.		
159	56C-K043	SIK043H001159=*	381	\$2,563
146		SIK043H001146=*	415	\$2,563
125	56C-K043	SIK043H001125=*	484	\$2,563
109		SIK043H001109=*	555	\$2,563
97	56C-K043	SIK043H001097=*	624	\$2,563
88		SIK043H001088=*	688	\$2,563
80	56C-K043	SIK043H001080=*	757	\$2,563
70		SIK043H001070=*	865	\$2,563
63	56C-K043	SIK043H001063=*	961	\$2,563
55		SIK043H001055=*	1101	\$2,563
44	56C-K043	SIK043H001044=*	1376	\$2,563
35		SIK043H001035=*	1729	\$2,563
29	56C-K043	SIK043H001029=*	2087	\$2,563
25		SIK043H001025=*	2421	\$2,563
22	56C-K043	SIK043H001022=*	2751	\$2,563
18		SIK043H001018=*	3363	\$2,563
16	56C-K043	SIK043H001016=*	3783	\$2,563
15	56C-K063	SIK063H001015=*	4035	\$2,893

1.5 Horsepower

F/L RPM	SOLID Output Shaft		Output Torque	LIST Price
	Frame	Model No.		
159	56C-K043	SIK043AY15159=	571	\$2,537
146		SIK043AY15146=	622	\$2,537
125	56C-K043	SIK043AY15125=	726	\$2,537
109		SIK043AY15109=	833	\$2,537
97	56C-K043	SIK043AY15097=	936	\$2,537
88		SIK043AY15088=	1032	\$2,537
80	56C-K043	SIK043AY15080=	1135	\$2,537
70		SIK043AY15070=	1297	\$2,537
63	56C-K043	SIK043AY15063=	1441	\$2,537
55		SIK043AY15055=	1651	\$2,537
44	56C-K043	SIK043AY15044=	2063	\$2,537
35		SIK043AY15035=	2594	\$2,537
29	56C-K043	SIK043AY15029=	3131	\$2,537
25	56C-K063	SIK063AY15025=	3632	\$2,847
22		SIK063AY15022=	4127	\$2,847
18	56C-K063	SIK063AY15018=	5044	\$2,847
16		SIK063AY15016=	5675	\$2,847
15	56C-K063	SIK063AY15015=	6053	\$2,847

1.5 Horsepower

F/L RPM	HOLLOW Output Shaft		Output Torque	LIST Price
	Frame	Model No.		
159	56C-K043	SIK043HY15159=*	571	\$2,645
146		SIK043HY15146=*	622	\$2,645
125	56C-K043	SIK043HY15125=*	726	\$2,645
109		SIK043HY15109=*	833	\$2,645
97	56C-K043	SIK043HY15097=*	936	\$2,645
88		SIK043HY15088=*	1032	\$2,645
80	56C-K043	SIK043HY15080=*	1135	\$2,645
70		SIK043HY15070=*	1297	\$2,645
63	56C-K043	SIK043HY15063=*	1441	\$2,645
55		SIK043HY15055=*	1651	\$2,645
44	56C-K043	SIK043HY15044=*	2063	\$2,645
35		SIK043HY15035=*	2594	\$2,645
29	56C-K043	SIK043HY15029=*	3131	\$2,645
25	56C-K063	SIK063HY15025=*	3632	\$2,976
22		SIK063HY15022=*	4127	\$2,976
18	56C-K063	SIK063HY15018=*	5044	\$2,976
16		SIK063HY15016=*	5675	\$2,976
15	56C-K063	SIK063HY15015=*	6053	\$2,976

2 Horsepower

F/L RPM	SOLID Output Shaft		Output Torque	LIST Price
	Frame	Model No.		
159	56C-K043	SIK043A002159=	305	\$2,620
146		SIK043A002146=	829	\$2,620
125	56C-K043	SIK043A002125=	968	\$2,620
109		SIK043A002109=	1111	\$2,620
97	56C-K043	SIK043A002097=	1248	\$2,620
88		SIK043A002088=	1376	\$2,620
80	56C-K043	SIK043A002080=	1513	\$2,620
70		SIK043A002070=	1729	\$2,620
63	56C-K043	SIK043A002063=	1922	\$2,620
55		SIK043A002055=	2201	\$2,620
44	56C-K043	SIK043A002044=	2751	\$2,620
35		SIK043A002035=	3459	\$2,620
29	56C-K063	SIK063A002029=	4174	\$2,940
25		SIK063A002025=	4842	\$2,940
22	56C-K063	SIK063A002022=	5503	\$2,940
18		SIK063A002018=	6725	\$2,940
16	56C-K073	SIK073A003016=	7566	\$3,486
13		SIK073A003013=	9312	\$3,486

2 Horsepower

F/L RPM	HOLLOW Output Shaft		Output Torque	LIST Price
	Frame	Model No.		
159	56C-K043	SIK043H002159=*	305	\$2,728
146		SIK043H002146=*	829	\$2,728
125	56C-K043	SIK043H002125=*	968	\$2,728
109		SIK043H002109=*	1111	\$2,728
97	56C-K043	SIK043H002097=*	1248	\$2,728
88		SIK043H002088=*	1376	\$2,728
80	56C-K043	SIK043H002080=*	1513	\$2,728
70		SIK043H002070=*	1729	\$2,728
63	56C-K043	SIK043H002063=*	1922	\$2,728
55		SIK043H002055=*	2201	\$2,728
44	56C-K043	SIK043H002044=*	2751	\$2,728
35		SIK043H002035=*	3459	\$2,728
29	56C-K063	SIK063H002029=*	4174	\$3,059
25		SIK063H002025=*	4842	\$3,059
22	56C-K063	SIK063H002022=*	5503	\$3,059
18		SIK063H002018=*	6725	\$3,059
16	56C-K073	SIK073H002016=*	7566	\$3,641
13		SIK073H002013=*	9312	\$3,641

= To be user specified for required output shaft assembly position

= To be user specified for required output bore size

Reference Catalog Page C2 for complete bore size listing

TB = Tapered Bushing Design (reference catalog page C34

for Part Number selection by bore size and List Price

Addition). **Bushings are Sold Separately.**

* To be user specified for application required mounting position

(reference catalog page D10 for assembly positions).

**STERLING
ELECTRIC, INC.**
2000HB SELECTION AND PRICING - CLASS I
C19
Sterli-Seal® Washdown Inverter Duty – 10:1 (6-60Hz) Constant Torque Rated

3 Horsepower					
F/L RPM	SOLID Output Shaft		Output Torque	LIST Price	
	Frame	Model No.			
159	182TC-K043	SIK043A003159=	1142	\$2,742	
146		SIK043A003146=	1244	\$2,742	
125		SIK043A003125=	1453	\$2,742	
109	182TC-K043	SIK043A003109=	1666	\$2,742	
97		SIK043A003097=	1872	\$2,742	
88		SIK043A003088=	2063	\$2,742	
80	182TC-K043	SIK043A003080=	2270	\$2,742	
70		SIK043A003070=	2594	\$2,742	
63		SIK043A003063=	2882	\$2,742	
55	182TC-K043	SIK043A003055=	3302	\$2,742	
44		182TC-K063	SIK063A003044=	4127	\$3,062
36			SIK063A003036=	5044	\$3,062
29	SIK063A003029=		6262	\$3,062	
23	182TC-K073	SIK073A003023=	7895	\$3,608	
21		SIK073A003021=	8646	\$3,608	
17		SIK073A003017=	10681	\$3,608	
16	SIK073A003016=	11349	\$3,608		

3 Horsepower					
F/L RPM	HOLLOW Output Shaft		Output Torque	LIST Price	
	Frame	Model No.			
159	182TC-K043	SIK043H003159=*	1142	\$2,850	
146		SIK043H003146=*	1244	\$2,850	
125		SIK043H003125=*	1453	\$2,850	
109	182TC-K043	SIK043H003109=*	1666	\$2,850	
97		SIK043H003097=*	1872	\$2,850	
88		SIK043H003088=*	2063	\$2,850	
80	182TC-K043	SIK043H003080=*	2270	\$2,850	
70		SIK043H003070=*	2594	\$2,850	
63		SIK043H003063=*	2882	\$2,850	
55	182TC-K043	SIK043H003055=*	3302	\$2,850	
44		182TC-K063	SIK063H003044=*	4127	\$3,181
36			SIK063H003036=*	5044	\$3,181
29	SIK063H003029=*		6262	\$3,181	
23	182TC-K073	SIK073H003023=*	7895	\$3,763	
21		SIK073H003021=*	8646	\$3,763	
17		SIK073H003017=*	10681	\$3,763	
16	SIK073H003016=*	11349	\$3,763		

5 Horsepower					
F/L RPM	SOLID Output Shaft		Output Torque	LIST Price	
	Frame	Model No.			
159	184TC-K043	SIK043A005159=	1903	\$2,897	
146		SIK043A005146=	2072	\$2,897	
125		SIK043A005125=	2421	\$2,897	
111	184TC-K063	SIK063A005111=	2726	\$3,217	
99		SIK063A005099=	3057	\$3,217	
87		SIK063A005087=	3478	\$3,217	
80	184TC-K063	SIK063A005080=	3783	\$3,217	
70		SIK063A005070=	4323	\$3,217	
63		SIK063A005063=	4804	\$3,217	
54	184TC-K063	SIK063A005054=	5604	\$3,217	
41		184TC-K073	SIK073A005041=	7381	\$3,763
34			SIK073A005034=	8901	\$3,763
27	SIK073A005027=		11209	\$3,763	
23	184TC-K073	SIK073A005023=	13158	\$3,763	
21		SIK073A005021=	14411	\$3,763	

5 Horsepower					
F/L RPM	HOLLOW Output Shaft		Output Torque	LIST Price	
	Frame	Model No.			
159	184TC-K043	SIK043H005159=*	1903	\$3,005	
146		SIK043H005146=*	2072	\$3,005	
125		SIK043H005125=*	2421	\$3,005	
111	184TC-K063	SIK063H005111=*	2726	\$3,336	
99		SIK063H005099=*	3057	\$3,336	
87		SIK063H005087=*	3478	\$3,336	
80	184TC-K063	SIK063H005080=*	3783	\$3,336	
70		SIK063H005070=*	4323	\$3,336	
63		SIK063H005063=*	4804	\$3,336	
54	184TC-K063	SIK063H005054=*	5604	\$3,336	
41		184TC-K073	SIK073H005041=*	7381	\$3,918
34			SIK073H005034=*	8901	\$3,918
27	SIK073H005027=*		11209	\$3,918	
23	184TC-K073	SIK073H005023=*	13158	\$3,918	
21		SIK073H005021=*	14411	\$3,918	

7.5 Horsepower					
F/L RPM	SOLID Output Shaft		Output Torque	LIST Price	
	Frame	Model No.			
157	213TC-K063	SIK063AY75157=	2891	\$3,950	
140		SIK063AY75140=	3242	\$3,950	
125		SIK063AY75125=	3632	\$3,950	
111	213TC-K063	SIK063AY75111=	4090	\$3,950	
98		SIK063AY75097=	4632	\$3,950	
87		SIK063AY75087=	5218	\$3,950	
80	213TC-K063	SIK063AY75080=	5675	\$3,950	
75		213TC-K073	SIK073AY75075=	6053	\$4,496
66			SIK073AY75066=	6878	\$4,496
60	SIK073AY75060=		7566	\$4,496	
51	213TC-K073	SIK073AY75051=	8901	\$4,496	
41		SIK073AY75041=	11072	\$4,496	
34		SIK073AY75034=	13352	\$4,496	

7.5 Horsepower					
F/L RPM	HOLLOW Output Shaft		Output Torque	LIST Price	
	Frame	Model No.			
159	213TC-K063	SIK063HY75159=*	2891	\$4,069	
146		SIK063HY75146=*	3242	\$4,069	
125		SIK063HY75125=*	3632	\$4,069	
109	213TC-K063	SIK063HY75109=*	4090	\$4,069	
97		SIK063HY75097=*	4632	\$4,069	
88		SIK063HY75088=*	5218	\$4,069	
80	213TC-K063	SIK063HY75080=*	5675	\$4,069	
75		213TC-K073	SIK073HY75075=*	6053	\$4,651
66			SIK073HY75066=*	6878	\$4,651
60	SIK073HY75060=*		7566	\$4,651	
51	213TC-K073	SIK073HY75051=*	8901	\$4,651	
41		SIK073HY75041=*	11072	\$4,651	
34		SIK073HY75034=*	13352	\$4,651	

= To be user specified for required output shaft assembly position

= To be user specified for required output bore size

Reference Catalog Page C2 for complete bore size listing

TB = Tapered Bushing Design (reference catalog page C34

for Part Number selection by bore size and List Price

 Addition). **Bushings are Sold Separately.**

 * To be user specified for application required mounting position
(reference catalog page D10 for assembly positions).

C20	2000HB SELECTION AND PRICING - CLASS I	STERLING ELECTRIC, INC.
------------	---	------------------------------------

Sterli-Seal® Washdown Inverter Duty – 10:1 (6-60Hz) Constant Torque Rated

10 Horsepower				
F/L RPM	SOLID Output Shaft		Output Torque	LIST Price
	Frame	Model No.		
157	215TC-K063	SIK063A010157=	3855	\$4,305
140		SIK063A010140=	4323	\$4,305
125		SIK063A010125=	4842	\$4,305
111	215TC-K063	SIK063A010111=	5681	\$4,305
105	215TC-K073	SIK073A010105=	5765	\$4,851
93		SIK073A010093=	6508	\$4,851
82		SIK073A010082=	7381	\$4,851
75	215TC-K073	SIK073A010075=	8070	\$4,851
66	215TC-K073	SIK073A010066=	9171	\$4,851
60		SIK073A010060=	10088	\$4,851
51		SIK073A010051=	11868	\$4,851

10 Horsepower				
F/L RPM	HOLLOW Output Shaft		Output Torque	LIST Price
	Frame	Model No.		
157	215TC-K063	SIK063H010157=*	3855	\$4,424
140		SIK063H010140=*	4323	\$4,424
125		SIK063H010125=*	4842	\$4,424
111	215TC-K063	SIK063H010111=*	5681	\$4,424
105	215TC-K073	SIK073H010105=	5765	\$5,006
93		SIK073H010093=	6508	\$5,006
82		SIK073H010082=	7381	\$5,006
75	215TC-K073	SIK073H010075=	8070	\$5,006
66	215TC-K073	SIK073H010066=	9171	\$5,006
60		SIK073H010060=	10088	\$5,006
51		SIK073H010051=	11868	\$5,006

15 Horsepower				
F/L RPM	SOLID Output Shaft		Output Torque	LIST Price
	Frame	Model No.		
148	254TC-K073	SIK073A015148=	6135	\$5,637
132		SIK073A015132=	6878	\$5,637
118		SIK073A015118=	7694	\$5,637
105	254TC-K073	SIK073A015105=	8647	\$5,637
93	254TC-K073	SIK073A015093=	9763	\$5,637
82		SIK073A015082=	11072	\$5,637

15 Horsepower				
F/L RPM	HOLLOW Output Shaft		Output Torque	LIST Price
	Frame	Model No.		
148	254TC-K073	SIK073H015148=	6135	\$5,792
132		SIK073H015132=	6878	\$5,792
118		SIK073H015118=	7694	\$5,792
105	254TC-K073	SIK073H015105=	8647	\$5,792
93	254TC-K073	SIK073H015093=	9763	\$5,792
82		SIK073H015082=	11072	\$5,792

20 Horsepower				
F/L RPM	SOLID Output Shaft		Output Torque	LIST Price
	Frame	Model No.		
148	256TC-K073	SIK073A020148=	8179	\$5,971
132		SIK073A020132=	9171	\$5,971
118		SIK073A020118=	10259	\$5,971

20 Horsepower				
F/L RPM	HOLLOW Output Shaft		Output Torque	LIST Price
	Frame	Model No.		
148	256TC-K073	SIK073H020148=	8179	\$6,126
132		SIK073H020132=	9171	\$6,126
118		SIK073H020118=	10259	\$6,126

= To be user specified for required output shaft assembly position

= To be user specified for required output bore size

Reference Catalog Page C2 for complete bore size listing
TB = Tapered Bushing Design (reference catalog page C34
for Part Number selection by bore size and List Price
Addition). **Bushings are Sold Separately.**

* To be user specified for application required mounting position
(reference catalog page D10 for assembly positions).

STERLING
ELECTRIC, INC.
2000HB SELECTION AND PRICING - CLASS I
C21
**Sterli-Seal® All Stainless Steel Washdown Duty
 Inverter Duty (10:1 Constant Torque)**

.50 Horsepower				
F/L RPM	SOLID Output Shaft		Output Torque	LIST Price
	Frame	Model No.		
159	56C-K043	SSIK043AY05159=	190	\$4,195
146		SSIK043AY05146=	207	\$4,195
125	56C-K043	SSIK043AY05125=	242	\$4,195
109		SSIK043AY05109=	277	\$4,195
97	56C-K043	SSIK043AY05097=	312	\$4,195
88		SSIK043AY05088=	344	\$4,195
80	56C-K043	SSIK043AY05080=	378	\$4,195
70		SSIK043AY05070=	432	\$4,195
63	56C-K043	SSIK043AY05063=	480	\$4,195
55		SSIK043AY05055=	550	\$4,195
44	56C-K043	SSIK043AY05044=	688	\$4,195
35		SSIK043AY05035=	865	\$4,195
29	56C-K043	SSIK043AY05029=	1044	\$4,195
25		SSIK043AY05025=	1211	\$4,195
22	56C-K043	SSIK043AY05022=	1376	\$4,195
18		SSIK043AY05018=	1681	\$4,195
16	56C-K043	SSIK043AY05016=	1892	\$4,195
14		SSIK043AY05014=	2162	\$4,195

.50 Horsepower				
F/L RPM	HOLLOW Output Shaft		Output Torque	LIST Price
	Frame	Model No.		
159	56C-K043	SSIK043HY05159=*	190	\$4,426
146		SSIK043HY05146=*	207	\$4,426
125	56C-K043	SSIK043HY05125=*	242	\$4,426
109		SSIK043HY05109=*	277	\$4,426
97	56C-K043	SSIK043HY05097=*	312	\$4,426
88		SSIK043HY05088=*	344	\$4,426
80	56C-K043	SSIK043HY05080=*	378	\$4,426
70		SSIK043HY05070=*	432	\$4,426
63	56C-K043	SSIK043HY05063=*	480	\$4,426
55		SSIK043HY05055=*	550	\$4,426
44	56C-K043	SSIK043HY05044=*	688	\$4,426
35		SSIK043HY05035=*	865	\$4,426
29	56C-K043	SSIK043HY05029=*	1044	\$4,426
25		SSIK043HY05025=*	1211	\$4,426
22	56C-K043	SSIK043HY05022=*	1376	\$4,426
18		SSIK043HY05018=*	1681	\$4,426
16	56C-K043	SSIK043HY05016=*	1892	\$4,426
14		SSIK043HY05014=*	2162	\$4,426

.75 Horsepower				
F/L RPM	SOLID Output Shaft		Output Torque	LIST Price
	Frame	Model No.		
159	56C-K043	SSIK043AY07159=	286	\$4,333
146		SSIK043AY07146=	311	\$4,333
125	56C-K043	SSIK043AY07125=	363	\$4,333
109		SSIK043AY07109=	416	\$4,333
97	56C-K043	SSIK043AY07097=	468	\$4,333
88		SSIK043AY07088=	516	\$4,333
80	56C-K043	SSIK043AY07080=	567	\$4,333
70		SSIK043AY07070=	649	\$4,333
63	56C-K043	SSIK043AY07063=	721	\$4,333
55		SSIK043AY07055=	825	\$4,333
44	56C-K043	SSIK043AY07044=	1032	\$4,333
35		SSIK043AY07035=	1297	\$4,333
29	56C-K043	SSIK043AY07029=	1565	\$4,333
25		SSIK043AY07025=	1816	\$4,333
22	56C-K043	SSIK043AY07022=	2063	\$4,333
18		SSIK043AY07018=	2522	\$4,333
16	56C-K043	SSIK043AY07016=	2837	\$4,333
14		SSIK043AY07014=	3243	\$4,333

.75 Horsepower				
F/L RPM	HOLLOW Output Shaft		Output Torque	LIST Price
	Frame	Model No.		
159	56C-K043	SSIK043HY07159=*	286	\$4,564
146		SSIK043HY07146=*	311	\$4,564
125	56C-K043	SSIK043HY07125=*	363	\$4,564
109		SSIK043HY07109=*	416	\$4,564
97	56C-K043	SSIK043HY07097=*	468	\$4,564
88		SSIK043HY07088=*	516	\$4,564
80	56C-K043	SSIK043HY07080=*	567	\$4,564
70		SSIK043HY07070=*	649	\$4,564
63	56C-K043	SSIK043HY07063=*	721	\$4,564
55		SSIK043HY07055=*	825	\$4,564
44	56C-K043	SSIK043HY07044=*	1032	\$4,564
35		SSIK043HY07035=*	1297	\$4,564
29	56C-K043	SSIK043HY07029=*	1565	\$4,564
25		SSIK043HY07025=*	1816	\$4,564
22	56C-K043	SSIK043HY07022=*	2063	\$4,564
18		SSIK043HY07018=*	2522	\$4,564
16	56C-K043	SSIK043HY07016=*	2837	\$4,564
14		SSIK043HY07014=*	3243	\$4,564

= To be user specified for required output shaft assembly position

= To be user specified for required output bore size

 Reference Catalog Page C2 for complete bore size listing
 TB = Tapered Bushing Design (reference catalog page C34
 for Part Number selection by bore size and List Price
 Addition). **Bushings are Sold Separately.**

 * To be user specified for application required mounting position
 (reference catalog page D10 for assembly positions).

C22

2000HB SELECTION AND PRICING - CLASS I**STERLING
ELECTRIC, INC.****Sterli-Seal® All Stainless Steel Washdown Duty
Inverter Duty (10:1 Constant Torque)**

1 Horsepower				
F/L RPM	SOLID Output Shaft		Output Torque	LIST Price
	Frame	Model No.		
159	56C-K043	SSIK043A001159=	381	\$4,377
146		SSIK043A001146=	415	\$4,377
125	56C-K043	SSIK043A001125=	484	\$4,377
109		SSIK043A001109=	555	\$4,377
97	56C-K043	SSIK043A001097=	624	\$4,377
88		SSIK043A001088=	688	\$4,377
80	56C-K043	SSIK043A001080=	757	\$4,377
70		SSIK043A001070=	865	\$4,377
63	56C-K043	SSIK043A001063=	961	\$4,377
55		SSIK043A001055=	1101	\$4,377
44	56C-K043	SSIK043A001044=	1376	\$4,377
35		SSIK043A001035=	1729	\$4,377
29	56C-K043	SSIK043A001029=	2087	\$4,377
25		SSIK043A001025=	2421	\$4,377
22	56C-K043	SSIK043A001022=	2751	\$4,377
18		SSIK043A001018=	3363	\$4,377
16	56C-K043	SSIK043A001016=	3783	\$4,377
14	56C-K063	SSIK063A001014=	4323	\$5,716

1 Horsepower				
F/L RPM	HOLLOW Output Shaft		Output Torque	LIST Price
	Frame	Model No.		
159	56C-K043	SSIK043H001159=*	381	\$4,608
146		SSIK043H001146=*	415	\$4,608
125	56C-K043	SSIK043H001125=*	484	\$4,608
109		SSIK043H001109=*	555	\$4,608
97	56C-K043	SSIK043H001097=*	624	\$4,608
88		SSIK043H001088=*	688	\$4,608
80	56C-K043	SSIK043H001080=*	757	\$4,608
70		SSIK043H001070=*	865	\$4,608
63	56C-K043	SSIK043H001063=*	961	\$4,608
55		SSIK043H001055=*	1101	\$4,608
44	56C-K043	SSIK043H001044=*	1376	\$4,608
35		SSIK043H001035=*	1729	\$4,608
29	56C-K043	SSIK043H001029=*	2087	\$4,608
25		SSIK043H001025=*	2421	\$4,608
22	56C-K043	SSIK043H001022=*	2751	\$4,608
18		SSIK043H001018=*	3363	\$4,608
16	56C-K043	SSIK043H001016=*	3783	\$4,608
14	56C-K063	SSIK063H001014=*	4323	\$6,006

1.5 Horsepower				
F/L RPM	SOLID Output Shaft		Output Torque	LIST Price
	Frame	Model No.		
159	56C-K043	SSIK043AY15159=	571	\$4,457
146		SSIK043AY15146=	622	\$4,457
125	56C-K043	SSIK043AY15125=	726	\$4,457
109		SSIK043AY15109=	833	\$4,457
97	56C-K043	SSIK043AY15097=	936	\$4,457
88		SSIK043AY15088=	1032	\$4,457
80	56C-K043	SSIK043AY15080=	1135	\$4,457
70		SSIK043AY15070=	1297	\$4,457
63	56C-K043	SSIK043AY15063=	1441	\$4,457
55		SSIK043AY15055=	1651	\$4,457
44	56C-K043	SSIK043AY15044=	2063	\$4,457
35		SSIK043AY15035=	2594	\$4,457
29	56C-K043	SSIK043AY15029=	3131	\$4,457
25	56C-K063	SSIK063AY15025=	3632	\$5,796
22		SSIK063AY15022=	4127	\$5,796
18	56C-K063	SSIK063AY15018=	5044	\$5,796
16		SSIK063AY15016=	5675	\$5,796
14	56C-K063	SSIK063AY15014=	6485	\$5,796

1.5 Horsepower				
F/L RPM	HOLLOW Output Shaft		Output Torque	LIST Price
	Frame	Model No.		
159	56C-K043	SSIK043HY15159=*	571	\$4,668
146		SSIK043HY15146=*	622	\$4,668
125	56C-K043	SSIK043HY15125=*	726	\$4,668
109		SSIK043HY15109=*	833	\$4,668
97	56C-K043	SSIK043HY15097=*	936	\$4,668
88		SSIK043HY15088=*	1032	\$4,668
80	56C-K043	SSIK043HY15080=*	1135	\$4,668
70		SSIK043HY15070=*	1297	\$4,668
63	56C-K043	SSIK043HY15063=*	1441	\$4,668
55		SSIK043HY15055=*	1651	\$4,668
44	56C-K043	SSIK043HY15044=*	2063	\$4,668
35		SSIK043HY15035=*	2594	\$4,668
29	56C-K043	SSIK043HY15029=*	3131	\$4,668
25	56C-K063	SSIK063HY15025=*	3632	\$6,086
22		SSIK063HY15022=*	4127	\$6,086
18	56C-K063	SSIK063HY15018=*	5044	\$6,086
16		SSIK063HY15016=*	5675	\$6,086
14	56C-K063	SSIK063HY15014=*	6485	\$6,086

2 Horsepower				
F/L RPM	SOLID Output Shaft		Output Torque	LIST Price
	Frame	Model No.		
159	56C-K043	SSIK043A002159=	305	\$4,542
146		SSIK043A002146=	829	\$4,542
125	56C-K043	SSIK043A002125=	968	\$4,542
109		SSIK043A002109=	1111	\$4,542
97	56C-K043	SSIK043A002097=	1248	\$4,542
88		SSIK043A002088=	1376	\$4,542
80	56C-K043	SSIK043A002080=	1513	\$4,542
70		SSIK043A002070=	1729	\$4,542
63	56C-K043	SSIK043A002063=	1922	\$4,542
55		SSIK043A002055=	2201	\$4,542
44	56C-K043	SSIK043A002044=	2751	\$4,542
35		SSIK043A002035=	3459	\$4,542
29	56C-K063	SSIK063A002029=	4174	\$5,881
25		SSIK063A002025=	4842	\$5,881
22	56C-K063	SSIK063A002022=	5503	\$5,881
18		SSIK063A002018=	6725	\$5,881

2 Horsepower				
F/L RPM	HOLLOW Output Shaft		Output Torque	LIST Price
	Frame	Model No.		
159	56C-K043	SSIK043H002159=*	305	\$4,773
146		SSIK043H002146=*	829	\$4,773
125	56C-K043	SSIK043H002125=*	968	\$4,773
109		SSIK043H002109=*	1111	\$4,773
97	56C-K043	SSIK043H002097=*	1248	\$4,773
88		SSIK043H002088=*	1376	\$4,773
80	56C-K043	SSIK043H002080=*	1513	\$4,773
70		SSIK043H002070=*	1729	\$4,773
63	56C-K043	SSIK043H002063=*	1922	\$4,773
55		SSIK043H002055=*	2201	\$4,773
44	56C-K043	SSIK043H002044=*	2751	\$4,773
35		SSIK043H002035=*	3459	\$4,773
29	56C-K063	SSIK063H002029=*	4174	\$6,171
25		SSIK063H002025=*	4842	\$6,171
22	56C-K063	SSIK063H002022=*	5503	\$6,171
18		SSIK063H002018=*	6725	\$6,171

= To be user specified for required output shaft assembly position

= To be user specified for required output bore size

Reference Catalog Page C2 for complete bore size listing
TB = Tapered Bushing Design (reference catalog page C34
for Part Number selection by bore size and List Price
Addition). **Bushings are Sold Separately.*** To be user specified for application required mounting position
(reference catalog page D10 for assembly positions).

**STERLING
ELECTRIC, INC.****2000HB SELECTION AND PRICING - CLASS I****C23****Sterli-Seal® All Stainless Steel Washdown Duty
Inverter Duty (10:1 Constant Torque)**

3 Horsepower				
F/L RPM	SOLID Output Shaft		Output Torque	LIST Price
	Frame	Model No.		
159	182TC-K043	SSIK043A003159=	1142	\$4,670
146		SSIK043A003146=	1244	\$4,670
125		SSIK043A003125=	1453	\$4,670
109		SSIK043A003109=	1666	\$4,670
97	182TC-K043	SSIK043A003097=	1872	\$4,670
88		SSIK043A003088=	2063	\$4,670
80		SSIK043A003080=	2270	\$4,670
70		SSIK043A003070=	2594	\$4,670
63	182TC-K043	SSIK043A003063=	2882	\$4,670
55		SSIK043A003055=	3302	\$4,670
44	182TC-K063	SSIK063A003044=	4127	\$6,009
35		SSIK063A003035=	5188	\$6,009
29		SSIK063A003029=	6262	\$6,009

3 Horsepower				
F/L RPM	HOLLOW Output Shaft		Output Torque	LIST Price
	Frame	Model No.		
159	182TC-K043	SSIK043H003159=*	1142	\$4,901
146		SSIK043H003146=*	1244	\$4,901
125		SSIK043H003125=*	1453	\$4,901
109		SSIK043H003109=*	1666	\$4,901
97	182TC-K043	SSIK043H003097=*	1872	\$4,901
88		SSIK043H003088=*	2063	\$4,901
80		SSIK043H003080=*	2270	\$4,901
70		SSIK043H003070=*	2594	\$4,901
63	182TC-K043	SSIK043H003063=*	2882	\$4,901
55		SSIK043H003055=*	3302	\$4,901
44	182TC-K063	SSIK063H003044=*	4127	\$6,299
35		SSIK063H003035=*	5188	\$6,299
29		SSIK063H003029=*	6262	\$6,299

5 Horsepower				
F/L RPM	SOLID Output Shaft		Output Torque	LIST Price
	Frame	Model No.		
159	184TC-K043	SSIK043A005159=	1903	\$4,915
146		SSIK043A005146=	2072	\$4,915
125		SSIK043A005125=	2421	\$4,915
109	184TC-K063	SSIK063A005109=	2777	\$6,254
97		SSIK063A005097=	3120	\$6,254
88	184TC-K063	SSIK063A005088=	3439	\$6,254
80		SSIK063A005080=	3783	\$6,254
70		SSIK063A005070=	4323	\$6,254
63	184TC-K063	SSIK063A005063=	4804	\$6,254
55		SSIK063A005055=	5503	\$6,254

5 Horsepower				
F/L RPM	HOLLOW Output Shaft		Output Torque	LIST Price
	Frame	Model No.		
159	184TC-K043	SSIK043H005159=*	1903	\$5,146
146		SSIK043H005146=*	2072	\$5,146
125		SSIK043H005125=*	2421	\$5,146
109	184TC-K063	SSIK063H005109=*	2777	\$6,544
97		SSIK063H005097=*	3120	\$6,544
88	184TC-K063	SSIK063H005088=*	3439	\$6,544
80		SSIK063H005080=*	3783	\$6,544
70		SSIK063H005070=*	4323	\$6,544
63	184TC-K063	SSIK063H005063=*	4804	\$6,544
55		SSIK063H005055=*	5503	\$6,544

7.5 Horsepower				
F/L RPM	SOLID Output Shaft		Output Torque	LIST Price
	Frame	Model No.		
159	213TC-K063	SSIK063AY75159=	2855	\$7,152
146		SSIK063AY75146=	3109	\$7,152
125		SSIK063AY75125=	3632	\$7,152
109		SSIK063AY75109=	4165	\$7,152
97	213TC-K063	SSIK063AY75097=	4680	\$7,152
88		SSIK063AY75088=	5159	\$7,152
80		SSIK063AY75080=	5675	\$7,152

7.5 Horsepower				
F/L RPM	HOLLOW Output Shaft		Output Torque	LIST Price
	Frame	Model No.		
159	213TC-K063	SSIK063HY75159=*	2855	\$7,442
146		SSIK063HY75146=*	3109	\$7,442
125		SSIK063HY75125=*	3632	\$7,442
109		SSIK063HY75109=*	4165	\$7,442
97	213TC-K063	SSIK063HY75097=*	4680	\$7,442
88		SSIK063HY75088=*	5159	\$7,442
80		SSIK063HY75080=*	5675	\$7,442

10 Horsepower				
F/L RPM	SOLID Output Shaft		Output Torque	LIST Price
	Frame	Model No.		
159	215TC-K063	SSIK063A010159=	3807	\$7,523
146		SSIK063A010146=	4146	\$7,523
125		SSIK063A010125=	4842	\$7,523
109		SSIK063A010109=	5553	\$7,523

10 Horsepower				
F/L RPM	HOLLOW Output Shaft		Output Torque	LIST Price
	Frame	Model No.		
159	215TC-K063	SSIK063H010159=*	3807	\$7,813
146		SSIK063H010146=*	4146	\$7,813
125		SSIK063H010125=*	4842	\$7,813
109		SSIK063H010109=*	5553	\$7,813

= To be user specified for required output shaft assembly position

= To be user specified for required output bore size

Reference Catalog Page C2 for complete bore size listing

TB = Tapered Bushing Design (reference catalog page C34

for Part Number selection by bore size and List Price

Addition). **Bushings are Sold Separately.*** To be user specified for application required mounting position
(reference catalog page D10 for assembly positions).

C24**2000HB SELECTION AND PRICING - CLASS I****STERLING
ELECTRIC, INC.****NEMA Premium Efficient****1 Horsepower**

F/L RPM	SOLID Output Shaft		Output Torque	LIST Price
	Frame	Model No.		
159	143TC-K043	PK043A001159=	381	\$1,739
146		PK043A001146=	415	\$1,739
125		PK043A001125=	484	\$1,739
109	143TC-K043	PK043A001109=	555	\$1,739
97		PK043A001097=	624	\$1,739
88		PK043A001088=	688	\$1,739
80	143TC-K043	PK043A001080=	757	\$1,739
70		PK043A001070=	865	\$1,739
63		PK043A001063=	961	\$1,739
55	143TC-K043	PK043A001055=	1101	\$1,739
44		PK043A001044=	1376	\$1,739
35		PK043A001035=	1729	\$1,739
29	143TC-K043	PK043A001029=	2087	\$1,739
25		PK043A001025=	2421	\$1,739
22		PK043A001022=	2751	\$1,739
18	143TC-K043	PK043A001018=	3363	\$1,739
16		PK043A001016=	3783	\$1,739
15	143TC-K063	PK063A001015=	4035	\$2,030

1 Horsepower

F/L RPM	HOLLOW Output Shaft		Output Torque	LIST Price
	Frame	Model No.		
159	143TC-K043	PK043H001159=*	381	\$1,837
146		PK043H001146=*	415	\$1,837
125		PK043H001125=*	484	\$1,837
109	143TC-K043	PK043H001109=*	555	\$1,837
97		PK043H001097=*	624	\$1,837
88		PK043H001088=*	688	\$1,837
80	143TC-K043	PK043H001080=*	757	\$1,837
70		PK043H001070=*	865	\$1,837
63		PK043H001063=*	961	\$1,837
55	143TC-K043	PK043H001055=*	1101	\$1,837
44		PK043H001044=*	1376	\$1,837
35		PK043H001035=*	1729	\$1,837
29	143TC-K043	PK043H001029=*	2087	\$1,837
25		PK043H001025=*	2421	\$1,837
22		PK043H001022=*	2751	\$1,837
18	143TC-K043	PK043H001018=*	3363	\$1,837
16		PK043H001016=*	3783	\$1,837
15	143TC-K063	PK063H001015=*	4035	\$2,138

1.5 Horsepower

F/L RPM	SOLID Output Shaft		Output Torque	LIST Price
	Frame	Model No.		
159	145TC-K043	PK043AY15159=	571	\$1,757
146		PK043AY15146=	622	\$1,757
125		PK043AY15125=	726	\$1,757
109	145TC-K043	PK043AY15109=	833	\$1,757
97		PK043AY15097=	936	\$1,757
88		PK043AY15088=	1032	\$1,757
80	145TC-K043	PK043AY15080=	1135	\$1,757
70		PK043AY15070=	1297	\$1,757
63		PK043AY15063=	1441	\$1,757
55	145TC-K043	PK043AY15055=	1651	\$1,757
44		PK043AY15044=	2063	\$1,757
35		PK043AY15035=	2594	\$1,757
29	145TC-K043	PK043AY15029=	3131	\$1,757
25		PK063AY15025=	3632	\$2,048
22		PK063AY15022=	4127	\$2,048
18	145TC-K063	PK063AY15018=	5044	\$2,048
16		PK063AY15016=	5675	\$2,048
15	145TC-K063	PK063AY15015=	6053	\$2,048

1.5 Horsepower

F/L RPM	HOLLOW Output Shaft		Output Torque	LIST Price
	Frame	Model No.		
159	145TC-K043	PK043HY15159=*	571	\$1,855
146		PK043HY15146=*	622	\$1,855
125		PK043HY15125=*	726	\$1,855
109	145TC-K043	PK043HY15109=*	833	\$1,855
97		PK043HY15097=*	936	\$1,855
88		PK043HY15088=*	1032	\$1,855
80	145TC-K043	PK043HY15080=*	1135	\$1,855
70		PK043HY15070=*	1297	\$1,855
63		PK043HY15063=*	1441	\$1,855
55	145TC-K043	PK043HY15055=*	1651	\$1,855
44		PK043HY15044=*	2063	\$1,855
35		PK043HY15035=*	2594	\$1,855
29	145TC-K043	PK043HY15029=*	3131	\$1,855
25		PK063HY15025=*	3632	\$2,156
22		PK063HY15022=*	4127	\$2,156
18	145TC-K063	PK063HY15018=*	5044	\$2,156
16		PK063HY15016=*	5675	\$2,156
15	145TC-K063	PK063HY15015=*	6053	\$2,156

2 Horsepower

F/L RPM	SOLID Output Shaft		Output Torque	LIST Price
	Frame	Model No.		
159	145TC-K043	PK043A002159=	305	\$1,783
146		PK043A002146=	829	\$1,783
125		PK043A002125=	968	\$1,783
109	145TC-K043	PK043A002109=	1111	\$1,783
97		PK043A002097=	1248	\$1,783
88		PK043A002088=	1376	\$1,783
80	145TC-K043	PK043A002080=	1513	\$1,783
70		PK043A002070=	1729	\$1,783
63		PK043A002063=	1922	\$1,783
55	145TC-K043	PK043A002055=	2201	\$1,783
44		PK043A002044=	2751	\$1,783
35		PK043A002035=	3459	\$1,783
29	145TC-K063	PK063A002029=	4174	\$2,074
25		PK063A002025=	4842	\$2,074
22	145TC-K063	PK063A002022=	5503	\$2,074
18		PK063A002018=	6725	\$2,074
16	145TC-K073	PK073A003016=	7566	\$2,570
13		PK073A003013=	9312	\$2,570

2 Horsepower

F/L RPM	HOLLOW Output Shaft		Output Torque	LIST Price
	Frame	Model No.		
159	145TC-K043	PK043H002159=*	305	\$1,881
146		PK043H002146=*	829	\$1,881
125		PK043H002125=*	968	\$1,881
109	145TC-K043	PK043H002109=*	1111	\$1,881
97		PK043H002097=*	1248	\$1,881
88		PK043H002088=*	1376	\$1,881
80	145TC-K043	PK043H002080=*	1513	\$1,881
70		PK043H002070=*	1729	\$1,881
63		PK043H002063=*	1922	\$1,881
55	145TC-K043	PK043H002055=*	2201	\$1,881
44		PK043H002044=*	2751	\$1,881
35		PK043H002035=*	3459	\$1,881
29	145TC-K063	PK063H002029=*	4174	\$2,182
25		PK063H002025=*	4842	\$2,182
22	145TC-K063	PK063H002022=*	5503	\$2,182
18		PK063H002018=*	6725	\$2,182
16	145TC-K073	PK073H002016=*	7566	\$2,711
13		PK073H002013=*	9312	\$2,711

= To be user specified for required output shaft assembly position

= To be user specified for required output bore size
Reference Catalog Page C2 for complete bore size listing
TB = Tapered Bushing Design (reference catalog page C34
for Part Number selection by bore size and List Price
Addition). **Bushings are Sold Separately.**
* To be user specified for application required mounting position
(reference catalog page D10 for assembly positions).

**STERLING
ELECTRIC, INC.****2000HB SELECTION AND PRICING - CLASS I****C25****NEMA Premium Efficient****3 Horsepower**

F/L RPM	SOLID Output Shaft		Output Torque	LIST Price	
	Frame	Model No.			
159	182TC-K043	PK043A003159=	1142	\$1,824	
146		PK043A003146=	1244	\$1,824	
125		PK043A003125=	1453	\$1,824	
109	182TC-K043	PK043A003109=	1666	\$1,824	
97		PK043A003097=	1872	\$1,824	
88		PK043A003088=	2063	\$1,824	
80	182TC-K043	PK043A003080=	2270	\$1,824	
70		PK043A003070=	2594	\$1,824	
63		PK043A003063=	2882	\$1,824	
55	182TC-K043	PK043A003055=	3302	\$1,824	
44		182TC-K063	PK063A003044=	4127	\$2,115
36		PK063A003036=	5044	\$2,115	
29	182TC-K063	PK063A003029=	6262	\$2,115	
23	182TC-K073	PK073A003023=	7895	\$2,611	
21		PK073A003021=	8646	\$2,611	
17		PK073A003017=	10681	\$2,611	
16	182TC-K073	PK073A003016=	11349	\$2,611	

3 Horsepower

F/L RPM	HOLLOW Output Shaft		Output Torque	LIST Price	
	Frame	Model No.			
159	182TC-K043	PK043H003159=*	1142	\$1,922	
146		PK043H003146=*	1244	\$1,922	
125		PK043H003125=*	1453	\$1,922	
109	182TC-K043	PK043H003109=*	1666	\$1,922	
97		PK043H003097=*	1872	\$1,922	
88		PK043H003088=*	2063	\$1,922	
80	182TC-K043	PK043H003080=*	2270	\$1,922	
70		PK043H003070=*	2594	\$1,922	
63		PK043H003063=*	2882	\$1,922	
55	182TC-K043	PK043H003055=*	3302	\$1,922	
44		182TC-K063	PK063H003044=*	4127	\$2,223
36		PK063H003036=*	5044	\$2,223	
29	182TC-K063	PK063H003029=*	6262	\$2,223	
23	182TC-K073	PK073H003023=*	7895	\$2,752	
21		PK073H003021=*	8646	\$2,752	
17		PK073H003017=*	10681	\$2,752	
16	182TC-K073	PK073H003016=*	11349	\$2,752	

5 Horsepower

F/L RPM	SOLID Output Shaft		Output Torque	LIST Price	
	Frame	Model No.			
159	184TC-K043	PK043A005159=	1903	\$1,882	
146		PK043A005146=	2072	\$1,882	
125		PK043A005125=	2421	\$1,882	
111	184TC-K063	PK063A005111=	2726	\$2,173	
99		PK063A005099=	3057	\$2,173	
87		PK063A005087=	3478	\$2,173	
80	184TC-K063	PK063A005080=	3783	\$2,173	
70		PK063A005070=	4323	\$2,173	
63		PK063A005063=	4804	\$2,173	
54	184TC-K063	PK063A005054=	5604	\$2,173	
41		184TC-K073	PK073A005041=	7381	\$2,669
34		PK073A005034=	8901	\$2,669	
27	184TC-K073	PK073A005027=	11209	\$2,669	
23		PK073A005023=	13158	\$2,669	
21		PK073A005021=	14411	\$2,669	

5 Horsepower

F/L RPM	HOLLOW Output Shaft		Output Torque	LIST Price	
	Frame	Model No.			
159	184TC-K043	PK043H005159=*	1903	\$1,980	
146		PK043H005146=*	2072	\$1,980	
125		PK043H005125=*	2421	\$1,980	
111	184TC-K063	PK063H005111=*	2726	\$2,443	
99		PK063H005099=*	3057	\$2,443	
87		PK063H005087=*	3478	\$2,443	
80	184TC-K063	PK063H005080=*	3783	\$2,443	
70		PK063H005070=*	4323	\$2,443	
63		PK063H005063=*	4804	\$2,443	
54	184TC-K063	PK063H005054=*	5604	\$2,443	
41		184TC-K073	PK073H005041=*	7381	\$2,810
34		PK073H005034=*	8901	\$2,810	
27	184TC-K073	PK073H005027=*	11209	\$2,810	
23		PK073H005023=*	13158	\$2,810	
21		PK073H005021=*	14411	\$2,810	

7.5 Horsepower

F/L RPM	SOLID Output Shaft		Output Torque	LIST Price	
	Frame	Model No.			
157	213TC-K063	PK063AY75157=	2891	\$2,335	
140		PK063AY75140=	3242	\$2,335	
125		PK063AY75125=	3632	\$2,335	
111	213TC-K063	PK063AY75111=	4090	\$2,335	
98		PK063AY75097=	4632	\$2,335	
87		PK063AY75087=	5218	\$2,335	
80	213TC-K063	PK063AY75080=	5675	\$2,335	
75		213TC-K073	PK073AY75075=	6053	\$2,831
66		PK073AY75066=	6878	\$2,831	
60	213TC-K073	PK073AY75060=	7566	\$2,831	
51		PK073AY75051=	8901	\$2,831	
41		PK073AY75041=	11072	\$2,831	
34	213TC-K073	PK073AY75034=	13352	\$2,831	

7.5 Horsepower

F/L RPM	HOLLOW Output Shaft		Output Torque	LIST Price	
	Frame	Model No.			
159	213TC-K063	PK063HY75159=*	2891	\$2,443	
146		PK063HY75146=*	3242	\$2,443	
125		PK063HY75125=*	3632	\$2,443	
109	213TC-K063	PK063HY75109=*	4090	\$2,443	
97		PK063HY75097=*	4632	\$2,443	
88		PK063HY75088=*	5218	\$2,443	
80	213TC-K063	PK063HY75080=*	5675	\$2,443	
75		213TC-K073	PK073HY75075=*	6053	\$2,972
66		PK073HY75066=*	6878	\$2,972	
60	213TC-K073	PK073HY75060=*	7566	\$2,972	
51		PK073HY75051=*	8901	\$2,972	
41		PK073HY75041=*	11072	\$2,972	
34	213TC-K073	PK073HY75034=*	13352	\$2,972	

= To be user specified for required output shaft assembly position

= To be user specified for required output bore size

Reference Catalog Page C2 for complete bore size listing

TB = Tapered Bushing Design (reference catalog page C34

for Part Number selection by bore size and List Price

Addition). **Bushings are Sold Separately.*** To be user specified for application required mounting position
(reference catalog page D10 for assembly positions).

C26**2000HB SELECTION AND PRICING - CLASS I****STERLING
ELECTRIC, INC.****NEMA Premium Efficient****10 Horsepower**

F/L RPM	SOLID Output Shaft		Output Torque	LIST Price
	Frame	Model No.		
157	215TC-K063	PK063A010157=	3855	\$2,518
140		PK063A010140=	4323	\$2,518
125		PK063A010125=	4842	\$2,518
111		PK063A010111=	5681	\$2,518
105	215TC-K073	PK073A010105=	5765	\$3,014
93		PK073A010093=	6508	\$3,014
82	215TC-K073	PK073A010082=	7381	\$3,014
75		PK073A010075=	8070	\$3,014
66		PK073A010066=	9171	\$3,014
60	215TC-K073	PK073A010060=	10088	\$3,014
51		PK073A010051=	11868	\$3,014

10 Horsepower

F/L RPM	HOLLOW Output Shaft		Output Torque	LIST Price
	Frame	Model No.		
157	215TC-K063	PK063H010157=*	3855	\$2,626
140		PK063H010140=*	4323	\$2,626
125		PK063H010125=*	4842	\$2,626
111		PK063H010111=*	5681	\$2,626
105	215TC-K073	PK073H010105=	5765	\$3,155
93		PK073H010093=	6508	\$3,155
82	215TC-K073	PK073H010082=	7381	\$3,155
75		PK073H010075=	8070	\$3,155
66		PK073H010066=	9171	\$3,155
60	215TC-K073	PK073H010060=	10088	\$3,155
51		PK073H010051=	11868	\$3,155

15 Horsepower

F/L RPM	SOLID Output Shaft		Output Torque	LIST Price
	Frame	Model No.		
148	254TC-K073	PK073A015148=	6135	\$3,858
132		PK073A015132=	6878	\$3,858
118		PK073A015118=	7694	\$3,858
105	254TC-K073	PK073A015105=	8647	\$3,858
93		PK073A015093=	9763	\$3,858
82		PK073A015082=	11072	\$3,858

15 Horsepower

F/L RPM	HOLLOW Output Shaft		Output Torque	LIST Price
	Frame	Model No.		
148	254TC-K073	PK073H015148=	6135	\$3,999
132		PK073H015132=	6878	\$3,999
118		PK073H015118=	7694	\$3,999
105	254TC-K073	PK073H015105=	8647	\$3,999
93		PK073H015093=	9763	\$3,999
82		PK073H015082=	11072	\$3,999

20 Horsepower

F/L RPM	SOLID Output Shaft		Output Torque	LIST Price
	Frame	Model No.		
148	256TC-K073	PK073A020148=	8179	\$4,179
132		PK073A020132=	9171	\$4,179
118	256TC-K073	PK073A020118=	10259	\$4,179

20 Horsepower

F/L RPM	HOLLOW Output Shaft		Output Torque	LIST Price
	Frame	Model No.		
148	256TC-K073	PK073H020148=	8179	\$ 4,320
132		PK073H020132=	9171	\$ 4,320
118	256TC-K073	PK073H020118=	10259	\$ 4,320

= To be user specified for required output shaft assembly position

= To be user specified for required output bore size

Reference Catalog Page C2 for complete bore size listing
 TB = Tapered Bushing Design (reference catalog page C34
 for Part Number selection by bore size and List Price
 Addition). **Bushings are Sold Separately.**

* To be user specified for application required mounting position
 (reference catalog page D10 for assembly positions).

**STERLING
ELECTRIC, INC.****2000HB SELECTION AND PRICING - CLASS I****C27****Sterli-Seal® Washdown Duty NEMA Premium Efficient**

1 Horsepower				
F/L RPM	SOLID Output Shaft		Output Torque	LIST Price
	Frame	Model No.		
159	143TC-K043	SPK043A001159=	381	\$2,070
146		SPK043A001146=	415	\$2,070
125	143TC-K043	SPK043A001125=	484	\$2,070
109		SPK043A001109=	555	\$2,070
97	143TC-K043	SPK043A001097=	624	\$2,070
88		SPK043A001088=	688	\$2,070
80	143TC-K043	SPK043A001080=	757	\$2,070
70		SPK043A001070=	865	\$2,070
63	143TC-K043	SPK043A001063=	961	\$2,070
55		SPK043A001055=	1101	\$2,070
44	143TC-K043	SPK043A001044=	1376	\$2,070
35		SPK043A001035=	1729	\$2,070
29	143TC-K043	SPK043A001029=	2087	\$2,070
25		SPK043A001025=	2421	\$2,070
22	143TC-K043	SPK043A001022=	2751	\$2,070
18		SPK043A001018=	3363	\$2,070
16	143TC-K043	SPK043A001016=	3783	\$2,070
15	143TC-K063	SPK063A001015=	4035	\$2,390

1 Horsepower				
F/L RPM	HOLLOW Output Shaft		Output Torque	LIST Price
	Frame	Model No.		
159	143TC-K043	SPK043H001159=*	381	\$2,178
146		SPK043H001146=*	415	\$2,178
125	143TC-K043	SPK043H001125=*	484	\$2,178
109		SPK043H001109=*	555	\$2,178
97	143TC-K043	SPK043H001097=*	624	\$2,178
88		SPK043H001088=*	688	\$2,178
80	143TC-K043	SPK043H001080=*	757	\$2,178
70		SPK043H001070=*	865	\$2,178
63	143TC-K043	SPK043H001063=*	961	\$2,178
55		SPK043H001055=*	1101	\$2,178
44	143TC-K043	SPK043H001044=*	1376	\$2,178
35		SPK043H001035=*	1729	\$2,178
29	143TC-K043	SPK043H001029=*	2087	\$2,178
25		SPK043H001025=*	2421	\$2,178
22	143TC-K043	SPK043H001022=*	2751	\$2,178
18		SPK043H001018=*	3363	\$2,178
16	143TC-K043	SPK043H001016=*	3783	\$2,178
15	143TC-K063	SPK063H001015=*	4035	\$2,509

1.5 Horsepower				
F/L RPM	SOLID Output Shaft		Output Torque	LIST Price
	Frame	Model No.		
159	145TC-K043	SPK043AY15159=	571	\$2,088
146		SPK043AY15146=	622	\$2,088
125	145TC-K043	SPK043AY15125=	726	\$2,088
109		SPK043AY15109=	833	\$2,088
97	145TC-K043	SPK043AY15097=	936	\$2,088
88		SPK043AY15088=	1032	\$2,088
80	145TC-K043	SPK043AY15080=	1135	\$2,088
70		SPK043AY15070=	1297	\$2,088
63	145TC-K043	SPK043AY15063=	1441	\$2,088
55		SPK043AY15055=	1651	\$2,088
44	145TC-K043	SPK043AY15044=	2063	\$2,088
35		SPK043AY15035=	2594	\$2,088
29	145TC-K043	SPK043AY15029=	3131	\$2,088
25	145TC-K063	SPK063AY15025=	3632	\$2,408
22		SPK063AY15022=	4127	\$2,408
18	145TC-K063	SPK063AY15018=	5044	\$2,408
16		SPK063AY15016=	5675	\$2,408
15	145TC-K063	SPK063AY15015=	6053	\$2,408

1.5 Horsepower				
F/L RPM	HOLLOW Output Shaft		Output Torque	LIST Price
	Frame	Model No.		
159	145TC-K043	SPK043HY15159=*	571	\$2,196
146		SPK043HY15146=*	622	\$2,196
125	145TC-K043	SPK043HY15125=*	726	\$2,196
109		SPK043HY15109=*	833	\$2,196
97	145TC-K043	SPK043HY15097=*	936	\$2,196
88		SPK043HY15088=*	1032	\$2,196
80	145TC-K043	SPK043HY15080=*	1135	\$2,196
70		SPK043HY15070=*	1297	\$2,196
63	145TC-K043	SPK043HY15063=*	1441	\$2,196
55		SPK043HY15055=*	1651	\$2,196
44	145TC-K043	SPK043HY15044=*	2063	\$2,196
35		SPK043HY15035=*	2594	\$2,196
29	145TC-K043	SPK043HY15029=*	3131	\$2,196
25	145TC-K063	SPK063HY15025=*	3632	\$2,527
22		SPK063HY15022=*	4127	\$2,527
18	145TC-K063	SPK063HY15018=*	5044	\$2,527
16		SPK063HY15016=*	5675	\$2,527
15	145TC-K063	SPK063HY15015=*	6053	\$2,527

2 Horsepower				
F/L RPM	SOLID Output Shaft		Output Torque	LIST Price
	Frame	Model No.		
159	145TC-K043	SPK043A002159=	305	\$2,161
146		SPK043A002146=	829	\$2,161
125	145TC-K043	SPK043A002125=	968	\$2,161
109		SPK043A002109=	1111	\$2,161
97	145TC-K043	SPK043A002097=	1248	\$2,161
88		SPK043A002088=	1376	\$2,161
80	145TC-K043	SPK043A002080=	1513	\$2,161
70		SPK043A002070=	1729	\$2,161
63	145TC-K043	SPK043A002063=	1922	\$2,161
55		SPK043A002055=	2201	\$2,161
44	145TC-K043	SPK043A002044=	2751	\$2,161
35		SPK043A002035=	3459	\$2,161
29	145TC-K063	SPK063A002029=	4174	\$2,481
25		SPK063A002025=	4842	\$2,481
22	145TC-K063	SPK063A002022=	5503	\$2,481
18		SPK063A002018=	6725	\$2,481
16	145TC-K073	SPK073A003016=	7566	\$3,027
13		SPK073A003013=	9312	\$3,027

2 Horsepower				
F/L RPM	HOLLOW Output Shaft		Output Torque	LIST Price
	Frame	Model No.		
159	145TC-K043	SPK043H002159=*	305	\$2,269
146		SPK043H002146=*	829	\$2,269
125	145TC-K043	SPK043H002125=*	968	\$2,269
109		SPK043H002109=*	1111	\$2,269
97	145TC-K043	SPK043H002097=*	1248	\$2,269
88		SPK043H002088=*	1376	\$2,269
80	145TC-K043	SPK043H002080=*	1513	\$2,269
70		SPK043H002070=*	1729	\$2,269
63	145TC-K043	SPK043H002063=*	1922	\$2,269
55		SPK043H002055=*	2201	\$2,269
44	145TC-K043	SPK043H002044=*	2751	\$2,269
35		SPK043H002035=*	3459	\$2,269
29	145TC-K063	SPK063H002029=*	4174	\$2,600
25		SPK063H002025=*	4842	\$2,600
22	145TC-K063	SPK063H002022=*	5503	\$2,600
18		SPK063H002018=*	6725	\$2,600
16	145TC-K073	SPK073H002016=*	7566	\$3,182
13		SPK073H002013=*	9312	\$3,182

= To be user specified for required output shaft assembly position

= To be user specified for required output bore size

Reference Catalog Page C2 for complete bore size listing

TB = Tapered Bushing Design (reference catalog page C34

for Part Number selection by bore size and List Price

Addition). **Bushings are Sold Separately.**

* To be user specified for application required mounting position (reference catalog page D10 for assembly positions).

C28

2000HB SELECTION AND PRICING - CLASS I**STERLING
ELECTRIC, INC.****Sterli-Seal® Washdown Duty NEMA Premium Efficient**

3 Horsepower				
F/L RPM	SOLID Output Shaft		Output Torque	LIST Price
	Frame	Model No.		
159	182TC-K043	SPK043A003159=	1142	\$2,348
146		SPK043A003146=	1244	\$2,348
125	182TC-K043	SPK043A003125=	1453	\$2,348
109		SPK043A003109=	1666	\$2,348
97	182TC-K043	SPK043A003097=	1872	\$2,348
88		SPK043A003088=	2063	\$2,348
80	182TC-K043	SPK043A003080=	2270	\$2,348
70		SPK043A003070=	2594	\$2,348
63	182TC-K043	SPK043A003063=	2882	\$2,348
55		SPK043A003055=	3302	\$2,348
44	182TC-K063	SPK063A003044=	4127	\$2,668
36		SPK063A003036=	5044	\$2,668
29	182TC-K063	SPK063A003029=	6262	\$2,668
23	182TC-K073	SPK073A003023=	7895	\$3,214
21		SPK073A003021=	8646	\$3,214
17	182TC-K073	SPK073A003017=	10681	\$3,214
16		SPK073A003016=	11349	\$3,214

3 Horsepower				
F/L RPM	HOLLOW Output Shaft		Output Torque	LIST Price
	Frame	Model No.		
159	182TC-K043	SPK043H003159=*	1142	\$2,456
146		SPK043H003146=*	1244	\$2,456
125	182TC-K043	SPK043H003125=*	1453	\$2,456
109		SPK043H003109=*	1666	\$2,456
97	182TC-K043	SPK043H003097=*	1872	\$2,456
88		SPK043H003088=*	2063	\$2,456
80	182TC-K043	SPK043H003080=*	2270	\$2,456
70		SPK043H003070=*	2594	\$2,456
63	182TC-K043	SPK043H003063=*	2882	\$2,456
55		SPK043H003055=*	3302	\$2,456
44	182TC-K063	SPK063H003044=*	4127	\$2,787
36		SPK063H003036=*	5044	\$2,787
29	182TC-K063	SPK063H003029=*	6262	\$2,787
23	182TC-K073	SPK073H003023=*	7895	\$3,369
21		SPK073H003021=*	8646	\$3,369
17	182TC-K073	SPK073H003017=*	10681	\$3,369
16		SPK073H003016=*	11349	\$3,369

5 Horsepower				
F/L RPM	SOLID Output Shaft		Output Torque	LIST Price
	Frame	Model No.		
159	184TC-K043	SPK043A005159=	1903	\$2,453
146		SPK043A005146=	2072	\$2,453
125	184TC-K043	SPK043A005125=	2421	\$2,453
111	184TC-K063	SPK063A005111=	2726	\$2,773
99		SPK063A005099=	3057	\$2,773
87	184TC-K063	SPK063A005087=	3478	\$2,773
80		SPK063A005080=	3783	\$2,773
70	184TC-K063	SPK063A005070=	4323	\$2,773
63		SPK063A005063=	4804	\$2,773
54	184TC-K063	SPK063A005054=	5604	\$2,773
41	184TC-K073	SPK073A005041=	7381	\$3,319
34		SPK073A005034=	8901	\$3,319
27	184TC-K073	SPK073A005027=	11209	\$3,319
23		SPK073A005023=	13158	\$3,319
21	184TC-K073	SPK073A005021=	14411	\$3,319

5 Horsepower				
F/L RPM	HOLLOW Output Shaft		Output Torque	LIST Price
	Frame	Model No.		
159	184TC-K043	SPK043H005159=*	1903	\$2,561
146		SPK043H005146=*	2072	\$2,561
125	184TC-K043	SPK043H005125=*	2421	\$2,561
111	184TC-K063	SPK063H005111=*	2726	\$2,892
99		SPK063H005099=*	3057	\$2,892
87	184TC-K063	SPK063H005087=*	3478	\$2,892
80		SPK063H005080=*	3783	\$2,892
70	184TC-K063	SPK063H005070=*	4323	\$2,892
63		SPK063H005063=*	4804	\$2,892
54	184TC-K063	SPK063H005054=*	5604	\$2,892
41	184TC-K073	SPK073H005041=*	7381	\$3,474
34		SPK073H005034=*	8901	\$3,474
27	184TC-K073	SPK073H005027=*	11209	\$3,474
23		SPK073H005023=*	13158	\$3,474
21	184TC-K073	SPK073H005021=*	14411	\$3,474

7.5 Horsepower				
F/L RPM	SOLID Output Shaft		Output Torque	LIST Price
	Frame	Model No.		
157	213TC-K063	SPK063AY75157=	2891	\$3,013
140		SPK063AY75140=	3242	\$3,013
125	213TC-K063	SPK063AY75125=	3632	\$3,013
111		SPK063AY75111=	4090	\$3,013
98	213TC-K063	SPK063AY75097=	4632	\$3,013
87		SPK063AY75087=	5218	\$3,013
80	213TC-K063	SPK063AY75080=	5675	\$3,013
75	213TC-K073	SPK073AY75075=	6053	\$3,559
66		SPK073AY75066=	6878	\$3,559
60	213TC-K073	SPK073AY75060=	7566	\$3,559
51		SPK073AY75051=	8901	\$3,559
41	213TC-K073	SPK073AY75041=	11072	\$3,559
34		SPK073AY75034=	13352	\$3,559

7.5 Horsepower				
F/L RPM	HOLLOW Output Shaft		Output Torque	LIST Price
	Frame	Model No.		
159	213TC-K063	SPK063HY75159=*	2891	\$3,132
146		SPK063HY75146=*	3242	\$3,132
125	213TC-K063	SPK063HY75125=*	3632	\$3,132
109		SPK063HY75109=*	4090	\$3,132
97	213TC-K063	SPK063HY75097=*	4632	\$3,132
88		SPK063HY75088=*	5218	\$3,132
80	213TC-K063	SPK063HY75080=*	5675	\$3,132
75	213TC-K073	SPK073HY75075=*	6053	\$3,714
66		SPK073HY75066=*	6878	\$3,714
60	213TC-K073	SPK073HY75060=*	7566	\$3,714
51		SPK073HY75051=*	8901	\$3,714
41	213TC-K073	SPK073HY75041=*	11072	\$3,714
34		SPK073HY75034=*	13352	\$3,714

= To be user specified for required output shaft assembly position

= To be user specified for required output bore size

Reference Catalog Page C2 for complete bore size listing

TB = Tapered Bushing Design (reference catalog page C34

for Part Number selection by bore size and List Price

Addition). **Bushings are Sold Separately.*** To be user specified for application required mounting position
(reference catalog page D10 for assembly positions).

**STERLING
ELECTRIC, INC.****2000HB SELECTION AND PRICING - CLASS I****C29****Sterli-Seal ® Washdown Duty NEMA Premium Efficient****10 Horsepower**

F/L RPM	SOLID Output Shaft		Output Torque	LIST Price
	Frame	Model No.		
157	215TC-K063	SPK063A010157=	3855	\$3,165
140		SPK063A010140=	4323	\$3,165
125		SPK063A010125=	4842	\$3,165
111		SPK063A010111=	5681	\$3,165
105	215TC-K073	SPK073A010105=	5765	\$3,711
93		SPK073A010093=	6508	\$3,711
82	215TC-K073	SPK073A010082=	7381	\$3,711
75		SPK073A010075=	8070	\$3,711
66	215TC-K073	SPK073A010066=	9171	\$3,711
60		SPK073A010060=	10088	\$3,711
51	215TC-K073	SPK073A010051=	11868	\$3,711

10 Horsepower

F/L RPM	HOLLOW Output Shaft		Output Torque	LIST Price
	Frame	Model No.		
157	215TC-K063	SPK063H010157=*	3855	\$3,284
140		SPK063H010140=*	4323	\$3,284
125		SPK063H010125=*	4842	\$3,284
111		SPK063H010111=*	5681	\$3,284
105	215TC-K073	SPK073H010105=	5765	\$3,866
93		SPK073H010093=	6508	\$3,866
82	215TC-K073	SPK073H010082=	7381	\$3,866
75		SPK073H010075=	8070	\$3,866
66	215TC-K073	SPK073H010066=	9171	\$3,866
60		SPK073H010060=	10088	\$3,866
51	215TC-K073	SPK073H010051=	11868	\$3,866

15 Horsepower

F/L RPM	SOLID Output Shaft		Output Torque	LIST Price
	Frame	Model No.		
148	254TC-K073	SPK073A015148=	6135	\$4,403
132		SPK073A015132=	6878	\$4,403
118	254TC-K073	SPK073A015118=	7694	\$4,403
105		SPK073A015105=	8647	\$4,403
93	254TC-K073	SPK073A015093=	9763	\$4,403
82		SPK073A015082=	11072	\$4,403

15 Horsepower

F/L RPM	HOLLOW Output Shaft		Output Torque	LIST Price
	Frame	Model No.		
148	254TC-K073	SPK073H015148=	6135	\$4,558
132		SPK073H015132=	6878	\$4,558
118	254TC-K073	SPK073H015118=	7694	\$4,558
105		SPK073H015105=	8647	\$4,558
93	254TC-K073	SPK073H015093=	9763	\$4,558
82		SPK073H015082=	11072	\$4,558

20 Horsepower

F/L RPM	SOLID Output Shaft		Output Torque	LIST Price
	Frame	Model No.		
148	256TC-K073	SPK073A020148=	8179	\$4,892
132		SPK073A020132=	9171	\$4,892
118	256TC-K073	SPK073A020118=	10259	\$4,892

20 Horsepower

F/L RPM	HOLLOW Output Shaft		Output Torque	LIST Price
	Frame	Model No.		
148	256TC-K073	SPK073H020148=	8179	\$5,047
132		SPK073H020132=	9171	\$5,047
118	256TC-K073	SPK073H020118=	10259	\$5,047

= To be user specified for required output shaft assembly position

= To be user specified for required output bore size

Reference Catalog Page C2 for complete bore size listing
TB = Tapered Bushing Design (reference catalog page C34
for Part Number selection by bore size and List Price
Addition). **Bushings are Sold Separately.*** To be user specified for application required mounting position
(reference catalog page D10 for assembly positions).

C30

2000HB SELECTION AND PRICING - CLASS I**STERLING
ELECTRIC, INC.****Sterli-Seal® ALL Stainless Steel Washdown Duty NEMA Premium Efficient****1 Horsepower**

F/L RPM	SOLID Output Shaft		Output Torque	LIST Price
	Frame	Model No.		
159	143TC-K043	SSPK043A001159=	381	\$3,789
146		SSPK043A001146=	415	\$3,789
125		SSPK043A001125=	484	\$3,789
109	143TC-K043	SSPK043A001109=	555	\$3,789
97		SSPK043A001097=	624	\$3,789
88		SSPK043A001088=	688	\$3,789
80	143TC-K043	SSPK043A001080=	757	\$3,789
70		SSPK043A001070=	865	\$3,789
63		SSPK043A001063=	961	\$3,789
55	143TC-K043	SSPK043A001055=	1101	\$3,789
44		SSPK043A001044=	1376	\$3,789
35		SSPK043A001035=	1729	\$3,789
29	143TC-K043	SSPK043A001029=	2087	\$3,789
25		SSPK043A001025=	2421	\$3,789
22		SSPK043A001022=	2751	\$3,789
18	143TC-K043	SSPK043A001018=	3363	\$3,789
16		SSPK043A001016=	3783	\$3,789
15		143TC-K063	SSPK063A001015=	4035

1 Horsepower

F/L RPM	HOLLOW Output Shaft		Output Torque	LIST Price
	Frame	Model No.		
159	143TC-K043	SSPK043H001159=* SSPK043H001146=* SSPK043H001125=* SSPK043H001109=* SSPK043H001097=* SSPK043H001088=* SSPK043H001080=* SSPK043H001070=* SSPK043H001063=* SSPK043H001055=* SSPK043H001044=* SSPK043H001035=* SSPK043H001029=* SSPK043H001025=* SSPK043H001022=* SSPK043H001018=* SSPK043H001016=* SSPK063H001015=*	381 415 484 555 624 688 757 865 961 1101 1376 1729 2087 2421 2751 3363 3783 4035	\$4,020 \$4,020 \$4,020 \$4,020 \$4,020 \$4,020 \$4,020 \$4,020 \$4,020 \$4,020 \$4,020 \$4,020 \$4,020 \$4,020 \$4,020 \$4,020 \$4,020 \$5,418

1.5 Horsepower

F/L RPM	SOLID Output Shaft		Output Torque	LIST Price	
	Frame	Model No.			
159	145TC-K043	SSPK043AY15159=	571	\$3,814	
146		SSPK043AY15146=	622	\$3,814	
125		SSPK043AY15125=	726	\$3,814	
109	145TC-K043	SSPK043AY15109=	833	\$3,814	
97		SSPK043AY15097=	936	\$3,814	
88		SSPK043AY15088=	1032	\$3,814	
80	145TC-K043	SSPK043AY15080=	1135	\$3,814	
70		SSPK043AY15070=	1297	\$3,814	
63		SSPK043AY15063=	1441	\$3,814	
55	145TC-K043	SSPK043AY15055=	1651	\$3,814	
44		SSPK043AY15044=	2063	\$3,814	
35		SSPK043AY15035=	2594	\$3,814	
29	145TC-K043	SSPK043AY15029=	3131	\$3,814	
25		145TC-K063	SSPK063AY15025=	3632	\$5,153
22		SSPK063AY15022=	4127	\$5,153	
18	145TC-K063	SSPK063AY15018=	5044	\$5,153	
16		SSPK063AY15016=	5675	\$5,153	
15		SSPK063AY15015=	6053	\$5,153	

1.5 Horsepower

F/L RPM	HOLLOW Output Shaft		Output Torque	LIST Price
	Frame	Model No.		
159	145TC-K043	SSPK043HY15159=* SSPK043HY15146=* SSPK043HY15125=* SSPK043HY15109=* SSPK043HY15097=* SSPK043HY15088=* SSPK043HY15080=* SSPK043HY15070=* SSPK043HY15063=* SSPK043HY15055=* SSPK043HY15044=* SSPK043HY15035=* SSPK043HY15029=* SSPK063HY15025=* SSPK063HY15022=* SSPK063HY15018=* SSPK063HY15016=* SSPK063HY15015=*	571 622 726 833 936 1032 1135 1297 1441 1651 2063 2594 3131 3632 4127 5044 5675 6053	\$4,045 \$4,045 \$4,045 \$4,045 \$4,045 \$4,045 \$4,045 \$4,045 \$4,045 \$4,045 \$4,045 \$4,045 \$4,045 \$5,443 \$5,443 \$5,443 \$5,443 \$5,443

2 Horsepower

F/L RPM	SOLID Output Shaft		Output Torque	LIST Price
	Frame	Model No.		
159	145TC-K043	SSPK043A002159=	305	\$3,901
146		SSPK043A002146=	829	\$3,901
125		SSPK043A002125=	968	\$3,901
109	145TC-K043	SSPK043A002109=	1111	\$3,901
97		SSPK043A002097=	1248	\$3,901
88		SSPK043A002088=	1376	\$3,901
80	145TC-K043	SSPK043A002080=	1513	\$3,901
70		SSPK043A002070=	1729	\$3,901
63		SSPK043A002063=	1922	\$3,901
55	145TC-K043	SSPK043A002055=	2201	\$3,901
44		SSPK043A002044=	2751	\$3,901
35		SSPK043A002035=	3459	\$3,901
29	145TC-K063	SSPK063A002029=	4174	\$5,240
25		SSPK063A002025=	4842	\$5,240
22		SSPK063A002022=	5503	\$5,240
18	145TC-K063	SSPK063A002018=	6725	\$5,240

2 Horsepower

F/L RPM	HOLLOW Output Shaft		Output Torque	LIST Price
	Frame	Model No.		
159	145TC-K043	SSPK043H002159=* SSPK043H002146=* SSPK043H002125=* SSPK043H002109=* SSPK043H002097=* SSPK043H002088=* SSPK043H002080=* SSPK043H002070=* SSPK043H002063=* SSPK043H002055=* SSPK043H002044=* SSPK043H002035=* SSPK063H002029=* SSPK063H002025=* SSPK063H002022=* SSPK063H002018=*	305 829 968 1111 1248 1376 1513 1729 1922 2201 2751 3459 4174 4842 5503 6725	\$4,132 \$4,132 \$4,132 \$4,132 \$4,132 \$4,132 \$4,132 \$4,132 \$4,132 \$4,132 \$4,132 \$4,132 \$5,530 \$5,530 \$5,530 \$5,530

= To be user specified for required output shaft assembly position

= To be user specified for required output bore size

Reference Catalog Page C2 for complete bore size listing

TB = Tapered Bushing Design (reference catalog page C34

for Part Number selection by bore size and List Price

Addition). **Bushings are Sold Separately.**

* To be user specified for application required mounting position

(reference catalog page D10 for assembly positions).

STERLING
ELECTRIC, INC.
2000HB SELECTION AND PRICING - CLASS I
C31
Sterli-Seal ® ALL Stainless Steel Washdown Duty NEMA Premium Efficient

3 Horsepower				
F/L RPM	SOLID Output Shaft		Output Torque	LIST Price
	Frame	Model No.		
159	182TC-K043	SSPK043A003159=	1142	\$4,322
146		SSPK043A003146=	1244	\$4,322
125		SSPK043A003125=	1453	\$4,322
109	182TC-K043	SSPK043A003109=	1666	\$4,322
97		SSPK043A003097=	1872	\$4,322
88		SSPK043A003088=	2063	\$4,322
80	182TC-K043	SSPK043A003080=	2270	\$4,322
70		SSPK043A003070=	2594	\$4,322
63		SSPK043A003063=	2882	\$4,322
55	182TC-K043	SSPK043A003055=	3302	\$4,322
44	182TC-K063	SSPK063A003044=	4127	\$5,661
36		SSPK063A003036=	5044	\$5,661
29		SSPK063A003029=	6262	\$5,661

3 Horsepower				
F/L RPM	HOLLOW Output Shaft		Output Torque	LIST Price
	Frame	Model No.		
159	182TC-K043	SSPK043H003159=*	1142	\$4,553
146		SSPK043H003146=*	1244	\$4,553
125		SSPK043H003125=*	1453	\$4,553
109	182TC-K043	SSPK043H003109=*	1666	\$4,553
97		SSPK043H003097=*	1872	\$4,553
88		SSPK043H003088=*	2063	\$4,553
80	182TC-K043	SSPK043H003080=*	2270	\$4,553
70		SSPK043H003070=*	2594	\$4,553
63		SSPK043H003063=*	2882	\$4,553
55	182TC-K043	SSPK043H003055=*	3302	\$4,553
44	182TC-K063	SSPK063H003044=*	4127	\$5,951
36		SSPK063H003036=*	5044	\$5,951
29		SSPK063H003029=*	6262	\$5,951

5 Horsepower				
F/L RPM	SOLID Output Shaft		Output Torque	LIST Price
	Frame	Model No.		
159	184TC-K043	SSPK043A005159=	1903	\$4,502
146		SSPK043A005146=	2072	\$4,502
125		SSPK043A005125=	2421	\$4,502
111	184TC-K063	SSPK063A005111=	2726	\$5,841
99		SSPK063A005099=	3057	\$5,841
87		SSPK063A005087=	3478	\$5,841
80	184TC-K063	SSPK063A005080=	3783	\$5,841
70		SSPK063A005070=	4323	\$5,841
63		SSPK063A005063=	4804	\$5,841
54	184TC-K063	SSPK063A005054=	5604	\$5,841

5 Horsepower				
F/L RPM	HOLLOW Output Shaft		Output Torque	LIST Price
	Frame	Model No.		
159	184TC-K043	SSPK043H005159=*	1903	\$4,733
146		SSPK043H005146=*	2072	\$4,733
125		SSPK043H005125=*	2421	\$4,733
111	184TC-K063	SSPK063H005111=*	2726	\$6,131
99		SSPK063H005099=*	3057	\$6,131
87		SSPK063H005087=*	3478	\$6,131
80	184TC-K063	SSPK063H005080=*	3783	\$6,131
70		SSPK063H005070=*	4323	\$6,131
63		SSPK063H005063=*	4804	\$6,131
54	184TC-K063	SSPK063H005054=*	5604	\$6,131

7.5 Horsepower				
F/L RPM	SOLID Output Shaft		Output Torque	LIST Price
	Frame	Model No.		
157	213TC-K063	SSPK063AY75157=	2891	\$6,455
140		SSPK063AY75140=	3242	\$6,455
125		SSPK063AY75125=	3632	\$6,455
111	213TC-K063	SSPK063AY75111=	4090	\$6,455
98		SSPK063AY75097=	4632	\$6,455
87		SSPK063AY75087=	5218	\$6,455
80	213TC-K063	SSPK063AY75080=	5675	\$6,455

7.5 Horsepower				
F/L RPM	HOLLOW Output Shaft		Output Torque	LIST Price
	Frame	Model No.		
159	213TC-K063	SSPK063HY75159=*	2891	\$6,745
146		SSPK063HY75146=*	3242	\$6,745
125		SSPK063HY75125=*	3632	\$6,745
109	213TC-K063	SSPK063HY75109=*	4090	\$6,745
97		SSPK063HY75097=*	4632	\$6,745
88		SSPK063HY75088=*	5218	\$6,745
80	213TC-K063	SSPK063HY75080=*	5675	\$6,745

10 Horsepower				
F/L RPM	SOLID Output Shaft		Output Torque	LIST Price
	Frame	Model No.		
157	215TC-K063	SSPK063A010157=	3855	\$6,641
140		SSPK063A010140=	4323	\$6,641
125		SSPK063A010125=	4842	\$6,641
111	215TC-K063	SSPK063A010111=	5681	\$6,641

10 Horsepower				
F/L RPM	HOLLOW Output Shaft		Output Torque	LIST Price
	Frame	Model No.		
157	215TC-K063	SSPK063H010157=*	3855	\$6,931
140		SSPK063H010140=*	4323	\$6,931
125		SSPK063H010125=*	4842	\$6,931
111	215TC-K063	SSPK063H010111=*	5681	\$6,931

= To be user specified for required output shaft assembly position

 = To be user specified for required output bore size
 Reference Catalog Page C2 for complete bore size listing
 TB = Tapered Bushing Design (reference catalog page C34
 for Part Number selection by bore size and List Price
 Addition). **Bushings are Sold Separately.**

 * To be user specified for application required mounting position
 (reference catalog page D10 for assembly positions).

C32**2000HB BEVEL REDUCERS SELECTION****STERLING
ELECTRIC, INC.**

Nominal Ratio	Input RPM	K04					K06					K07*				
		Output RPM	Exact Ratio	Max Input HP	In-Lbs Output Torque	Max NEMA Frame	Output RPM	Exact Ratio	Max Input HP	In-Lbs Output Torque	Max NEMA Frame	Output RPM	Exact Ratio	Max Input HP	In-Lbs Output Torque	Max NEMA Frame
11:1	3500	318	10.763	11.32	2100	180TC	315	11.127	23.40	4490	210TC	297	11.802	37.27	7640	250TC
	1750	159		6.59	2450		157		13.98	5370		148		22.26	9130	
	1160	105		4.74	2650		104		10.01	5800		98		16.01	9910	
	875	80		3.78	2810		79		7.93	6090		74		12.27	10060	
12:1	3500	292	11.857	10.82	2210	180TC	281	12.471	21.09	4530	210TC	265	13.228	39.23	9010	250TC
	1750	146		6.24	2550		140		12.46	5350		132		23.17	10640	
	1160	97		4.46	2750		93		8.88	5750		88		16.58	11490	
	875	73		3.55	2900		70		7.02	6030		66		12.70	11660	
14:1	3500	250	13.731	9.85	2320	180TC	250	13.999	20.05	4820	210TC	236	14.849	35.31	9090	250TC
	1750	125		5.62	2650		125		11.71	5630		118		20.62	10620	
	1160	83		4.00	2850		83		8.31	6030		78		14.69	11410	
	875	63		3.17	2990		63		6.55	6300		59		11.24	11580	
16:1	3500	219	15.957	8.55	2340	180TC	222	15.750	19.06	5140	210TC	210	16.706	33.55	9710	250TC
	1750	109		4.83	2640		111		11.01	5940		105		19.38	11220	
	1160	73		3.43	2830		74		7.78	6330		69		13.74	12000	
	875	55		2.71	2960		56		6.11	6600		52		10.50	12160	
18:1	3500	194	17.689	8.14	2460	180TC	197	17.778	17.04	5170	210TC	186	18.857	30.03	9800	250TC
	1750	97		4.56	2760		98		9.73	5910		93		17.16	11200	
	1160	64		3.22	2940		65		6.85	6270		62		12.11	11920	
	875	49		2.54	3070		49		5.37	6510		46		9.25	12070	
20:1	3500	175	19.667	7.86	2640	180TC	174	20.153	15.43	5300	210TC	164	21.377	27.21	10050	250TC
	1750	88		4.36	2930		87		8.72	5990		82		15.37	11360	
	1160	58		3.06	3100		58		6.11	6320		54		10.80	12040	
	875	44		2.41	3230		43		4.77	6550		41		8.24	12180	
22:1	3500	159	21.950	7.26	2720	180TC	159	21.977	14.55	5430	210TC	150	23.311	25.65	10330	210TC
	1750	80		3.99	2990		80		8.13	6070		75		14.34	11540	
	1160	53		2.79	3150		53		5.67	6380		50		10.03	12180	
	875	40		2.19	3270		40		4.42	6600		38		7.64	12310	
25:1	3500	140	24.614	7.02	2940	180TC	139	25.168	13.18	5620	210TC	131	26.696	23.21	10690	210TC
	1750	70		3.83	3200		70		7.29	6210		66		12.84	11830	
	1160	46		2.66	3360		46		5.06	6500		43		8.93	12410	
	875	35		2.08	3480		35		3.93	6700		33		6.80	12530	
28:1	3500	125	27.762	6.44	3030	180TC	126	27.675	11.65	5450	210TC	119	29.355	21.72	10990	210TC
	1750	63		3.48	3280		63		6.38	5960		60		11.89	12030	
	1160	41		2.41	3420		42		4.40	6210		40		8.23	12570	
	875	31		1.88	3530		32		3.41	6380		30		6.26	12680	
32:1	3500	109	31.539	5.86	3130	180TC	109	32.188	10.41	5640	210TC	103	34.143	19.44	11430	210TC
	1750	55		3.14	3350		54		5.64	6110		51		10.53	12380	
	1160	36		2.16	3480		36		3.87	6340		34		7.26	12870	
	875	27		1.68	3580		27		2.99	6490		26		5.52	12970	
40:1	3500	88	38.872	4.90	3220	180TC	87	40.212	8.80	5940	210TC	82	42.653	17.37	12740	210TC
	1750	44		2.60	3410		44		4.72	6370		41		9.31	13660	
	1160	29		1.78	3530		29		3.23	6570		27		6.39	14130	
	875	22		1.38	3620		22		2.49	6720		21		4.85	14230	
50:1	3500	70	49.347	3.91	3250	180TC	72	48.569	7.61	6190	210TC	68	51.518	15.27	13510	180TC
	1750	35		2.06	3420		36		4.04	6570		34		8.10	14340	
	1160	23		1.40	3520		24		2.75	6750		23		5.53	14770	
	875	18		1.08	3600		18		2.11	6870		17		4.20	14850	
60:1	3500	58	59.241	3.45	3440	180TC	58	60.270	6.47	6510	210TC	55	63.929	13.58	14900	180TC
	1750	29		1.80	3590		29		3.40	6840		27		6.79	14900	
	1160	19		1.22	3680		19		2.30	6990		18		4.50	14900	
	875	15		0.94	3740		15		1.76	7100		14		3.39	14900	
71:1	3500	49	73.091	2.85	3490	180TC	49	71.071	5.71	6750	210TC	46	75.386	11.53	14900	180TC
	1750	25		1.47	3610		25		2.97	7020		23		5.77	14900	
	1160	16		0.99	3680		16		2.00	7150		15		3.82	14900	
	875	12		0.76	3730		12		1.53	7240		12		2.88	14900	
80:1	3500	44	82.325	2.55	3520	180TC	45	77.821	5.10	6590	210TC	42	82.546	10.54	14900	180TC
	1750	22		1.31	3600		22		2.62	6780		21		5.27	14900	
	1160	15		0.88	3660		15		1.76	6870		14		3.49	14900	
	875	11		0.67	3700		11		1.34	6930		11		2.64	14900	
100:1	3500	35	94.118	2.25	3530	140TC	37	95.734	4.13	6550	180TC	35	100.515	8.67	14900	180TC
	1750	18		1.14	3590		18		2.11	6680		17		4.33	14900	
	1160	12		0.76	3630		12		1.41	6730		12		2.87	14890	
	875	9		0.58	3650		9		1.07	6770		9		2.17	14900	
112:1	3500	31	105.688	2.02	3560	140TC	33	106.301	3.84	6740	180TC	32	110.647	6.84	12930	180TC
	1750	16		1.02	3590		16		1.94	6810		16		3.42	12930	
	1160	10		0.68	3600		11		1.29	6830		10		2.27	12930	
	875	8		0.51	3620		8		0.98	6850		8		1.71	12930	
125:1	3500	28	120.150	1.79	3570	140TC	29	119.216	3.42	6720	180TC	26	133.830	5.66	12930	180TC
	1750	14		0.89	3570		15		1.71	6720		13		2.83	12930	
	1160	9		0.59	3570		10		1.13	6710		9		1.88	12930	
	875	7		0.45	3570		7		0.85	6710		7		1.42	12930	

* K07 units are limited to 7,000 in-lbs of output torque when using taper lock QD style bushings.

† Stainless Steel construction units have a reduced thermal rating - Consult factory.



2000HB BEVEL REDUCERS SELECTION

C33

Standard Cast Iron Construction List Prices

Model Frame Size	Solid Input Solid Output	Solid Input Hollow Output	C-Face Input Solid Output	C-Face Input Hollow Output	B5/B14 Flange Adder	Torque Arm
K043	\$ 1277	\$ 1374	\$ 1420	\$ 1518	\$ 93	\$ 121
K063	\$ 1569	\$ 1677	\$ 1711	\$ 1819	\$112	\$ 162
K073	\$ 1972	\$ 2125	\$ 2207	\$ 2348	\$280	\$ 225

Sterli-Seal ® Washdown Construction List Prices (USDA White Epoxy Coating)

Model Frame Size	Solid Input Solid Output	Solid Input Hollow Output	C-Face Input Solid Output	C-Face Input Hollow Output	B5/B14 Flange Adder	Torque Arm
SK043	\$ 1404	\$ 1511	\$ 1562	\$ 1670	\$ 102	\$ 121
SK063	\$ 1726	\$ 1845	\$ 1882	\$ 2001	\$ 123	\$ 162
SK073	\$ 2169	\$ 2338	\$ 2428	\$ 2583	\$ 280	\$ 225

Sterli-Seal ® Washdown Construction List Prices (USDA Steel Plus CE Epoxy Coating)

Model Frame Size	Solid Input Solid Output	Solid Input Hollow Output	C-Face Input Solid Output	C-Face Input Hollow Output	B5/B14 Flange Adder	Torque Arm
SWK043	\$ 1455	\$ 1566	\$ 1619	\$ 1731	\$ 106	\$ 121
SWK063	\$ 1789	\$ 1912	\$ 1951	\$ 2074	\$ 128	\$ 162
SWK073	\$ 2248	\$ 2423	\$ 2516	\$ 2677	\$ 280	\$ 225

Sterli-Seal ® Washdown ALL STAINLESS STEEL List Prices

Model Prefix Frame Size	Solid Input Solid Output	Solid Input Hollow Output	C-Face Input Solid Output	C-Face Input Hollow Output	B5/B14 Flange Adder	Torque Arm
SSK043	\$ 2873	\$ 3092	\$ 3195	\$ 3426	\$ 210	\$ 121
SSK063	\$ 4158	\$ 4444	\$ 4534	\$ 4824	\$ 298	\$ 162

C34

2000HB SELECTION AND PRICING - CLASS I**STERLING
ELECTRIC, INC.****All Sterling Electric 2000HB Helical Bevel Reducers are provided with these outstanding STANDARD Features:**

- THREE Year Warranty covering Defects in Material or Workmanship *
- Factory Filled with EP632-XP320 Lubrication (Cast Iron Standard Construction)
- Factory Filled with Mobil Cibus™ SHC320 H1 Food Grade Lubrication (Washdown and Stainless Steel Construction)
- 303/304 Stainless Steel Output Shaft Material on Hollow Output Shaft Configuration
- Opposite Drive End Shaft Cover for units supplied with Hollow Shaft Output Configuration
- Double Output Shaft Seals on units purchased with Tapered Bushing Drive Shaft Configuration

Accessories

Type SH - Tapered Bushings Kits for Size K04				
Bushing Bore Size	Steel Model Number	List Price	Stainless Steel Model Number	List Price
1.000	K04-1.000TBKIT	\$40	SSK04-1.000TBKIT	\$218
1.125	K04-1.125TBKIT	\$40	SSK04-1.125TBKIT	\$218
1.188	K04-1.188TBKIT	\$40	SSK04-1.188TBKIT	\$218
1.250	K04-1.250TBKIT	\$40	SSK04-1.250TBKIT	\$218
1.375	K04-1.375TBKIT	\$40	SSK04-1.375TBKIT	\$218
1.438	K04-1.438TBKIT	\$40	SSK04-1.438TBKIT	\$218
1.500	K04-1.500TBKIT	\$40	SSK04-1.500TBKIT	\$218

Type SK - Tapered Bushings Kits for Size K06				
Bushing Bore Size	Steel Model Number	List Price	Stainless Steel Model Number	List Price
1.375	K06-1.375TBKIT	\$73	SSK06-1.375TBKIT	\$396
1.438	K06-1.438TBKIT	\$73	SSK06-1.438TBKIT	\$396
1.500	K06-1.500TBKIT	\$73	SSK06-1.500TBKIT	\$396
1.625	K06-1.625TBKIT	\$73	SSK06-1.625TBKIT	\$396
1.688	K06-1.688TBKIT	\$73	SSK06-1.688TBKIT	\$396
1.750	K06-1.750TBKIT	\$73	SSK06-1.750TBKIT	\$396
1.875	K06-1.875TBKIT	\$73	SSK06-1.875TBKIT	\$396
1.938	K06-1.938TBKIT	\$73	SSK06-1.938TBKIT	\$396
2.000	K06-2.000TBKIT	\$73	SSK06-2.000TBKIT	\$396

Type SK - Tapered Bushings Kits for Size K07				
Bushing Bore Size	Steel Model Number	List Price	Stainless Steel Model Number	List Price
1.375	K07-1.375TBKIT	\$73	SSK07-1.375TBKIT	\$396
1.438	K07-1.438TBKIT	\$73	SSK07-1.438TBKIT	\$396
1.500	K07-1.500TBKIT	\$73	SSK07-1.500TBKIT	\$396
1.625	K07-1.625TBKIT	\$73	SSK07-1.625TBKIT	\$396
1.688	K07-1.688TBKIT	\$73	SSK07-1.688TBKIT	\$396
1.750	K07-1.750TBKIT	\$73	SSK07-1.750TBKIT	\$396
1.875	K07-1.875TBKIT	\$73	SSK07-1.875TBKIT	\$396
1.938	K07-1.938TBKIT	\$73	SSK07-1.938TBKIT	\$396
2.000	K07-2.000TBKIT	\$73	SSK07-2.000TBKIT	\$396
2.188	K07-2.188TBKIT	\$73	SSK07-2.188TBKIT	\$396
2.250	K07-2.250TBKIT	\$73	SSK07-2.250TBKIT	\$396

Note: K07 is limited to 7,000 in-lbs output torque when using tapered bushing design.

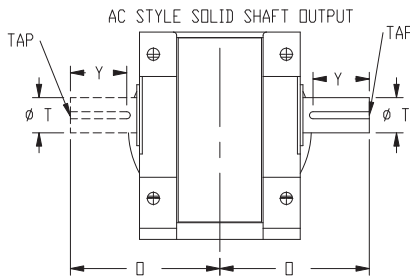
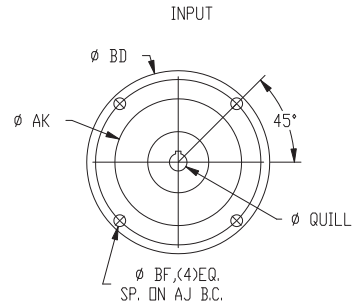
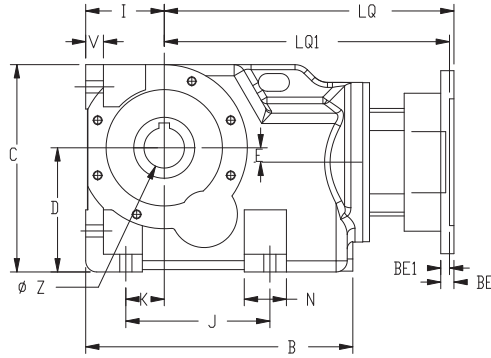
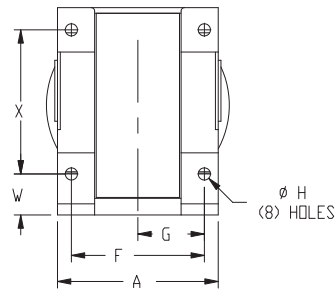
Torque Arm Mounting Bracket Kit				
Reducer Size	Cast Iron Model Number	List Price	Stainless Steel Model Number	List Price
K04			SSK04TAKIT	\$ 121
K06			SSK06TAKIT	\$ 162
K07	K07TAKIT	\$ 225		

* Subject to customers routine maintenance in accordance with Sterling Electric Helical Bevel Reducer Operating & Maintenance

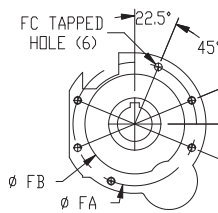
STERLING ELECTRIC, INC.	<h1>2000HB BEVEL REDUCER DIMENSIONS</h1>	C35
------------------------------------	--	------------

K SERIES GEAR REDUCER

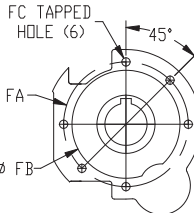
HC STYLE HOLLOW SHAFT OUTPUT



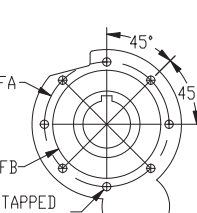
K043 OUTPUT MOUNTING



K063 OUTPUT MOUNTING

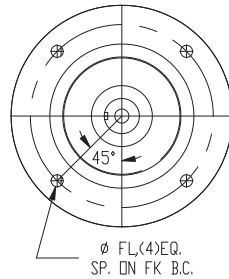
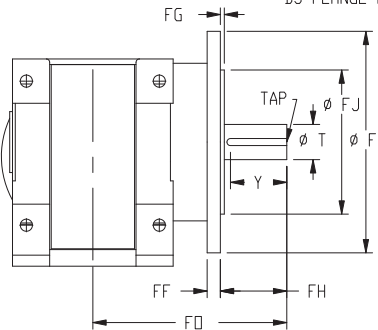


K073 OUTPUT MOUNTING

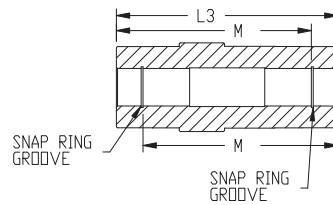


NOTE: SSK043 & SSK063 DO NOT HAVE TAPPED HOLES. STANDARD TAPPED HOLES CAN BE ADDED AS AN OPTION. CONSULT SALES REPRESENTATIVE OR FACTORY FOR DETAILS.

B5 FLANGE OUTPUT UNIT



HOLLOW SHAFT DETAILS



SIZE	A	B	C	D	E	F	G	H	I	J	K	L3	M	N	D	TAP	T	V	W	X	Y**Useable	Z-max
K043	5.71	9.49	7.36	4.41	0.51	4.72	2.36	0.43	2.79	5.12	1.37	5.91	5.19	1.50	5.31	1/2 UNF x 1.13 DP	1.250	0.63	1.46	5.12	1/4 x 2.00	1.500
SSK043	5.71	9.49	7.36	4.41	0.51	4.72	2.36	0.43	2.79	5.12	1.37	5.91	5.19	1.50	5.31	1/2 UNF x 1.13 DP	1.250	0.63	1.46	5.12	1/4 x 2.00	1.500
K063	6.73	11.98	9.06	5.51	0.54	5.51	2.76	0.53	3.54	4.72	1.18	7.09	6.14	1.97	6.73	5/8 UNF x 1.5 DP	1.625	0.82	1.77	6.30	3/8 x 2.38	2.000
SSK063	6.73	10.57	9.06	5.51	0.54	5.51	2.76	0.53	3.54	4.72	1.18	7.09	6.14	1.97	6.73	5/8 UNF x 1.5 DP	1.625	0.82	1.77	6.30	3/8 x 2.38	2.000
K073	7.88	14.14	11.34	7.09	0.98	6.50	3.25	0.69	4.41	5.91	1.58	8.27	7.20	2.28	8.11	3/4 UNF x 1.6 DP	2.000	1.10	2.17	7.87	1/2 x 3.27	2.250

** Keyway width by length

NEMA Motor C-Face Flange Locations

SIZE	56C/140TC	180TC	210TC	250TC
	LQ	LQ1	LQ1	LQ1
K043	10.29	10.53	N/A	N/A
SSK043	10.29	10.53	N/A	N/A
K063	12.05	12.29	12.29	N/A
SSK063	11.99	12.23	12.23	N/A
K073	13.92	13.92	13.92	13.92

Output Face & B5 Mounting

SIZE	FA	FB	FC TAP	FD	FE	FF	FG	FH	FI	FJ	FK	FL	FD
K043	5.12	4.13	M8 x 0.46 DP	0.20	0.10	0.47	0.14	2.36	7.87	5.12	6.50	0.35	6.89
SSK043	5.12	4.13	SEE NOTE	0.20	0.10	0.47	0.14	2.36	7.87	5.12	6.50	0.35	6.89
K063	5.91	5.12	M10 x 0.58 DP	0.27	0.12	0.59	0.16	3.15	9.84	7.09	8.46	0.55	8.52
SSK063	5.91	5.12	SEE NOTE	0.27	0.12	0.59	0.16	3.15	9.84	7.09	8.46	0.55	8.52
K073	5.91	5.12	M10 x 0.75 DP	0.39	0.16	0.63	0.16	3.94	11.81	9.06	10.43	0.53	9.86

NEMA Motor C-Face Mounting Dimensions

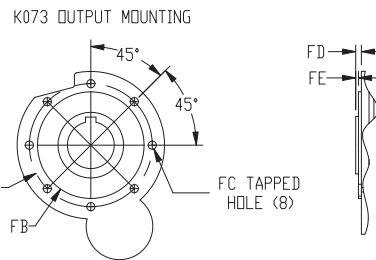
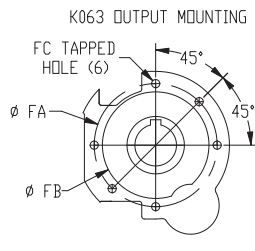
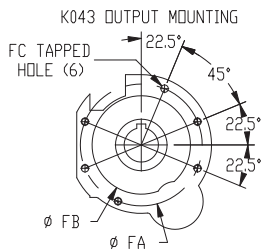
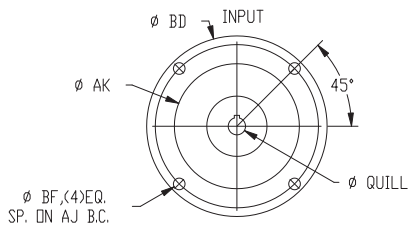
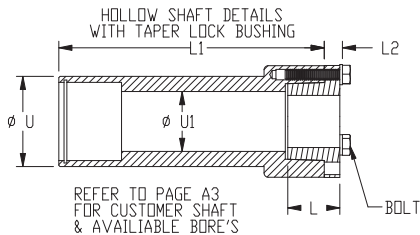
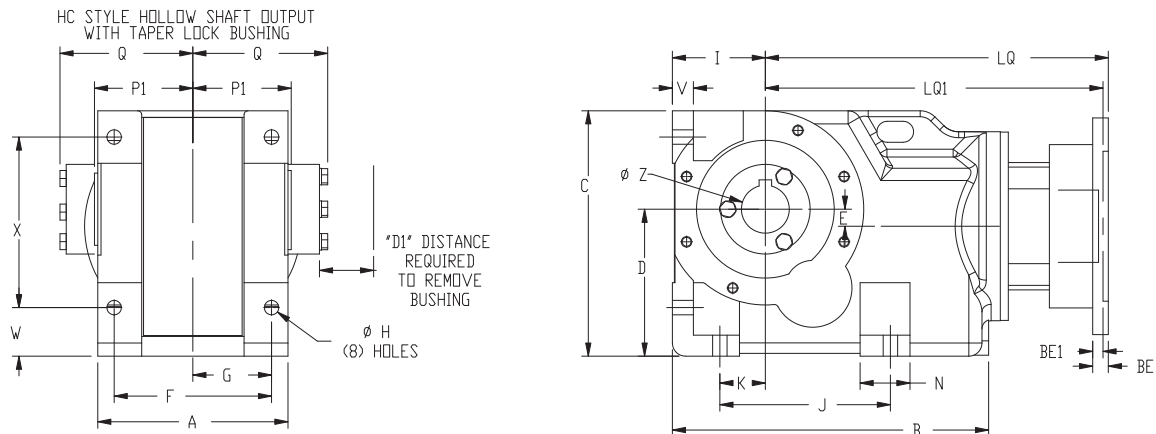
FRAME	AJ	AK	BD	BE	BE1	BF	QUILL	QUILL KEYWAY ¹
56C	5.88	4.50	6.50	0.38	N/A	0.41	0.625	3/16 x 3/32
140TC	5.88	4.50	6.50	0.38	N/A	0.41	0.875	3/16 x 3/32
180TC	7.25	8.50	9.00	N/A	.50	0.53	1.125	1/4 x 1/8
210TC	7.25	8.50	9.00	N/A	.50	0.53	1.375	5/16 x 5/32
250TC	7.25	8.50	9.00	N/A	.50	0.53	1.625	3/8 x 3/16

Notes: 1-Keyway width by depth
2-Dimensions in inches

6/20/2014

C36	2000HB BEVEL REDUCER DIMENSIONS	STERLING ELECTRIC, INC.
------------	--	------------------------------------

K SERIES WITH TAPER LOCK BUSHING



NOTE: SSK043 & SSK063 DO NOT HAVE TAPPED HOLES. STANDARD TAPPED HOLES CAN BE ADDED AS AN OPTION. CONSULT SALES REPRESENTATIVE OR FACTORY FOR DETAILS.

SIZE	A	B	C	D	D1	E	F	G	H	I	J	K	L	L1	L2	N	P1	Q	U	U1	V	W	X	Z-max	BOLT
K043	5.71	9.49	7.36	4.41	1.65	0.51	4.72	2.36	0.43	2.79	5.12	1.37	1.25	6.37	0.38	1.50	2.95	4.04	2.17	1.52	0.63	1.46	5.12	1.500	1/4-20 x 1.375
SSK043	5.71	9.49	7.36	4.41	1.65	0.51	4.72	2.36	0.43	2.79	5.12	1.37	1.25	6.37	0.38	1.50	2.95	4.04	2.17	1.52	0.63	1.46	5.12	1.500	1/4-20 x 1.375
K063	6.73	11.98	9.06	5.51	2.25	0.54	5.51	2.76	0.53	3.54	4.72	1.18	1.88	7.87	0.50	1.97	3.54	5.21	2.76	2.02	0.82	1.77	6.30	2.000	5/16-18 x 2.00
SSK063	6.73	10.57	9.06	5.51	2.25	0.54	5.51	2.76	0.53	3.54	4.72	1.18	1.88	7.87	0.50	1.97	3.54	5.21	2.76	2.02	0.82	1.77	6.30	2.000	5/16-18 x 2.00
K073	7.88	14.14	11.34	7.09	2.25	0.98	6.50	3.25	0.69	4.41	5.91	1.58	1.88	8.99	0.50	2.28	4.11	5.76	3.15	2.27	1.10	2.17	7.87	2.250	5/16-18 x 2.00

** Keyway width by length

NEMA Motor C-Face Flange Locations

SIZE	56C/140TC		180TC		210TC		250TC	
	LQ	LQ1	LQ1	LQ1	LQ1	LQ1	LQ1	
K043	10.29	10.53	N/A	N/A	N/A	N/A	N/A	
SSK043	10.29	10.53	N/A	N/A	N/A	N/A		
K063	12.05	12.29	12.29	N/A	N/A	N/A		
SSK063	11.99	12.23	12.23	N/A	N/A	N/A		
K073	13.92	13.92	13.92	13.92	13.92	13.92		

Output Face Mounting

SIZE	FA	FB	FC TAP	FD	FE
K043	5.12	4.13	M8 x 0.46 DP	0.20	0.10
SSK043	5.12	4.13	SEE NOTE	0.20	0.10
K063	5.91	5.12	M10 x 0.58 DP	0.26	0.12
SSK063	5.91	5.12	SEE NOTE	0.26	0.12
K073	5.91	5.12	M10 x 0.75 DP	0.39	0.16

NEMA Motor C-Face Mounting Dimensions

FRAME	AJ	AK	BD	BE	BE1	BF	QUILL	QUILL KEYWAY 1
56C	5.88	4.50	6.50	0.38	N/A	0.41	0.625	3/16 x 3/32
140TC	5.88	4.50	6.50	0.38	N/A	0.41	0.875	3/16 x 3/32
180TC	7.25	8.50	9.00	N/A	.50	0.53	1.125	1/4 x 1/8
210TC	7.25	8.50	9.00	N/A	.50	0.53	1.375	5/16 x 5/32
250TC	7.25	8.50	9.00	N/A	.50	0.53	1.625	3/8 x 3/16

Notes: 1-Keyway width by depth
2-Dimensions in inches

6/20/2014

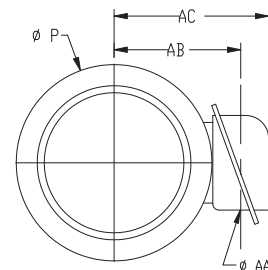
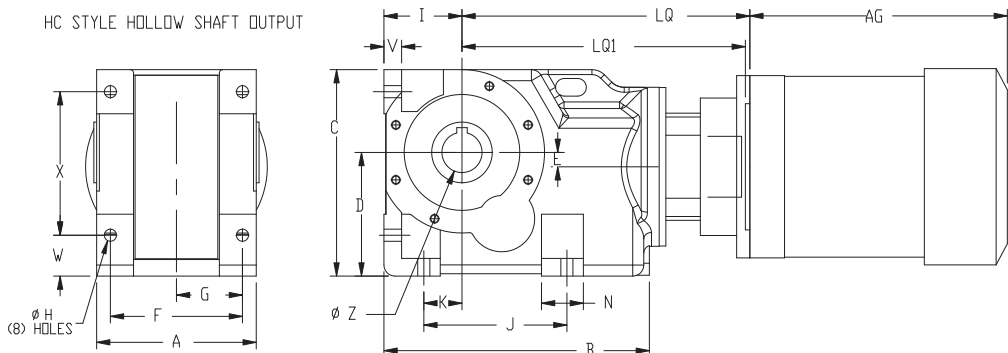


2000HB BEVEL REDUCER DIMENSIONS

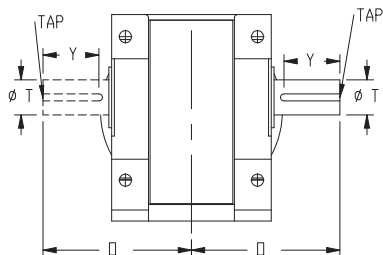
C37

K SERIES GEARMOTOR

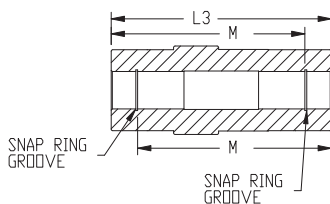
HC STYLE HOLLOW SHAFT OUTPUT



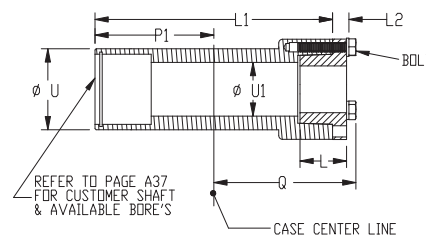
AC STYLE SOLID SHAFT OUTPUT



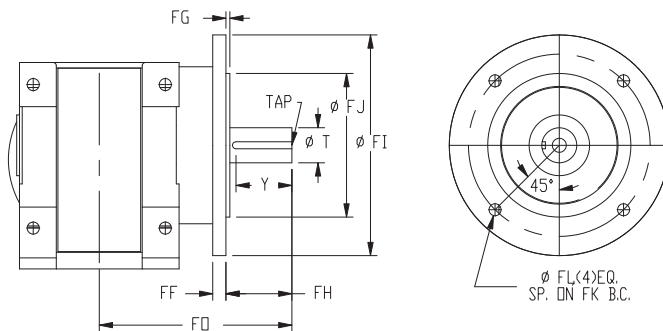
STANDARD HOLLOW SHAFT DETAILS



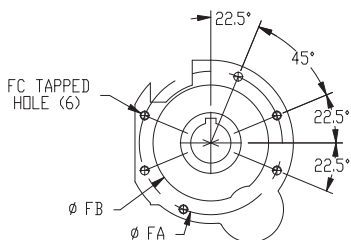
HOLLOW SHAFT DETAILS WITH TAPER LOCK BUSHING



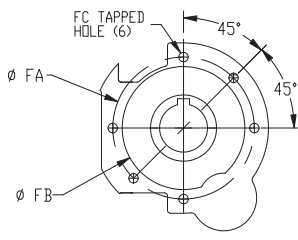
B5 FLANGE OUTPUT



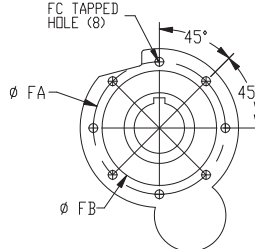
K043 OUTPUT MOUNTING



K063 OUTPUT MOUNTING

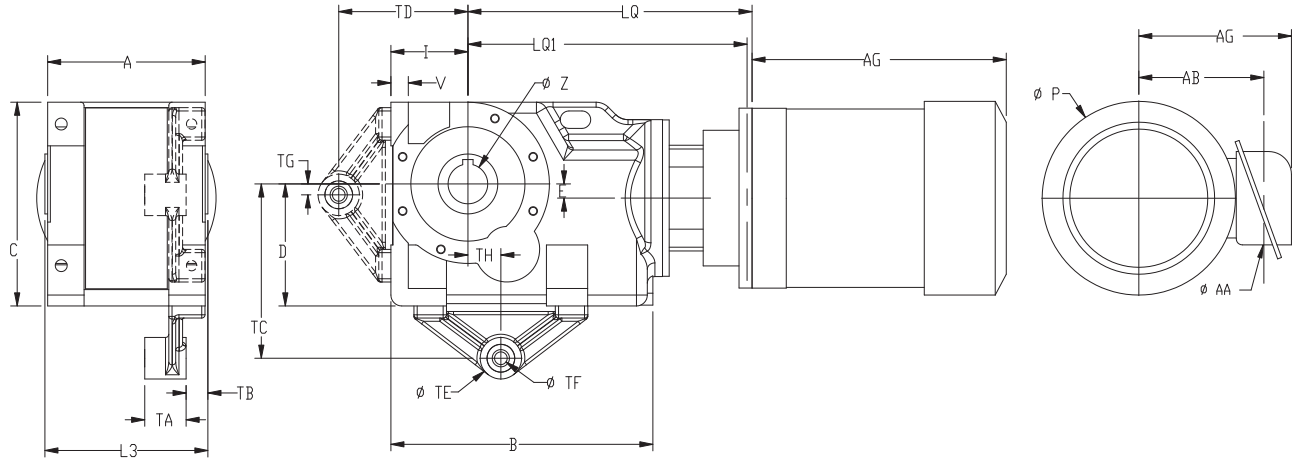


K073 OUTPUT MOUNTING



NOTE: SSK043 & SSK063 DO NOT HAVE TAPPED HOLES STANDARD. TAPPED HOLES CAN BE ADDED AS AN OPTION. CONSULT SALES REPRESENTATIVE OR FACTORY FOR DETAILS.

C38	2000HB BEVEL REDUCER DIMENSIONS	STERLING ELECTRIC, INC.
------------	--	------------------------------------



SIZE	A	B	C	D	E	F	G	H	I	J	K	L	L1	L2	L3	M	N	D	P1	Q	TAP	T	U	U1	V	W	X
K043	5.71	9.49	7.36	4.41	0.51	4.72	2.36	0.43	2.79	5.12	1.37	1.25	6.37	0.38	5.91	5.19	1.50	5.31	2.95	4.04	1/2 UNF x 1.13 DP	1.250	2.17	1.52	0.63	1.46	5.12
SSK043	5.71	9.49	7.36	4.41	0.51	4.72	2.36	0.43	2.79	5.12	1.37	1.25	6.37	0.38	5.91	5.19	1.50	5.31	2.95	4.04	1/2 UNF x 1.13 DP	1.250	2.17	1.52	0.63	1.46	5.12
K063	6.73	11.98	9.06	5.51	0.54	5.51	2.76	0.53	3.54	4.72	1.18	1.88	7.87	0.50	7.09	6.14	1.97	6.73	3.54	5.21	5/8 UNF x 1.5 DP	1.625	2.76	2.02	0.82	1.77	6.30
SSK063	6.73	10.57	9.06	5.51	0.54	5.51	2.76	0.53	3.54	4.72	1.18	1.88	7.87	0.50	7.09	6.14	1.97	6.73	3.54	5.21	5/8 UNF x 1.5 DP	1.625	2.76	2.02	0.82	1.77	6.30
K073	7.88	14.14	11.34	7.09	0.98	6.50	3.25	0.69	4.41	5.91	1.58	1.88	8.99	0.50	8.27	7.20	2.28	8.11	4.11	5.76	3/4 UNF x 1.6 DP	2.000	3.15	2.27	1.10	2.17	7.87

SIZE	Y**Useable	Z-max	BDLT	FA	FB	FC TAP	FD	FE	FF	FG	FH	FI	FJ	FK	FL	FD	TA	TB	TC	TD	TE	TF	TG	TH
K043	1/4 x 2.00	1.500	1/4 x 1.38	5.12	4.13	M8 x 0.46 DP	0.20	0.10	0.47	0.14	2.36	7.87	5.12	6.50	0.35	6.89	1.50	0.79	6.30	4.68	1.50	0.46	0.39	1.19
SSK043	1/4 x 2.00	1.500	1/4 x 1.38	5.12	4.13	SEE NOTE	0.20	0.10	0.47	0.14	2.36	7.87	5.12	6.50	0.35	6.89	1.50	0.79	6.30	4.68	1.50	0.46	0.39	1.19
K063	3/8 x 2.38	2.000	5/16 x 2.00	5.91	5.12	M10 x 0.58 DP	0.26	0.12	0.59	0.16	3.15	9.84	7.09	8.46	0.55	8.52	2.36	0.98	7.87	5.91	2.75	0.64	0.39	1.77
SSK063	3/8 x 2.38	2.000	5/16 x 2.00	5.91	5.12	SEE NOTE	0.26	0.12	0.59	0.16	3.15	9.84	7.09	8.46	0.55	8.52	2.36	0.98	7.87	5.91	2.75	0.64	0.39	1.77
K073	1/2 x 3.27	2.250	5/16 x 2.00	5.91	5.12	M10 x 0.75 DP	0.39	0.16	0.63	0.16	3.94	11.81	9.06	10.43	0.53	9.86	2.36	0.98	9.84	7.17	2.75	0.64	0.69	2.07

**Keyway width by length

NEMA Motor Dimensions

HP	Material	Enclosure	P	AA	AB	AG
0.50	R.S.	TENV	6.50	0.87	5.53	7.54
0.75	R.S.	TENV	6.50	0.87	5.53	8.13
1.0	R.S.	TEFC	7.02	0.87	5.55	9.9
1.5	R.S.	TEFC	7.02	0.87	5.55	10.3
2.0	R.S.	TEFC	7.02	0.87	5.55	10.9
3.0	R.S.	TEFC	8.45	1.10	6.55	12.96
5.0	R.S.	TEFC	8.45	1.10	6.50	13.55
7.5	R.S.	TEFC	10.77	1.10	7.68	14.80
10.0	R.S.	TEFC	10.77	1.10	7.68	15.98
0.33	S.S.	TENV	6.50	0.87	5.53	7.03
0.50	S.S.	TENV	6.50	0.87	5.55	8.14
0.75	S.S.	TENV	6.50	0.87	5.55	8.52
1.0	S.S.	TENV	6.50	0.87	5.55	8.52
1.0	S.S.	TEFC	7.02	0.87	5.55	10.22
1.5	S.S.	TEFC	7.02	0.87	5.55	10.61
2.0	S.S.	TEFC	7.02	0.87	5.55	11.20
3.0	S.S.	TEFC	8.45	1.10	6.50	13.16
5.0	S.S.	TEFC	8.45	1.10	6.50	13.75
7.5	S.S.	TEFC	10.77	1.10	7.68	14.80
10.0	S.S.	TEFC	10.77	1.10	7.68	15.98

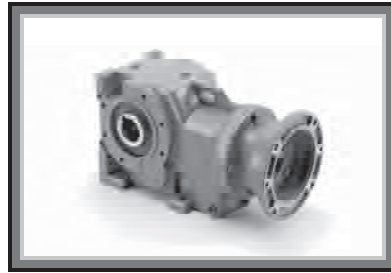
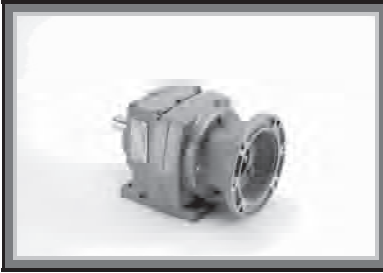
NEMA Motor C-Face Flange Locations

SIZE	56C/140TC	180TC	210TC	250TC
	LQ	LQ1	LQ1	LQ1
K043	10.29	10.53	N/A	N/A
SSK043	10.29	10.53	N/A	N/A
K063	12.05	12.29	12.29	N/A
SSK063	11.99	12.23	12.23	N/A
K073	13.92	13.92	13.92	13.92

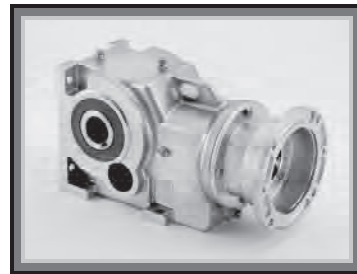
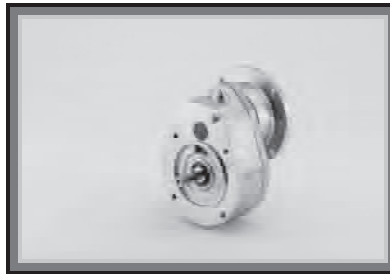
STERLING
ELECTRIC, INC.

ENGINEERING

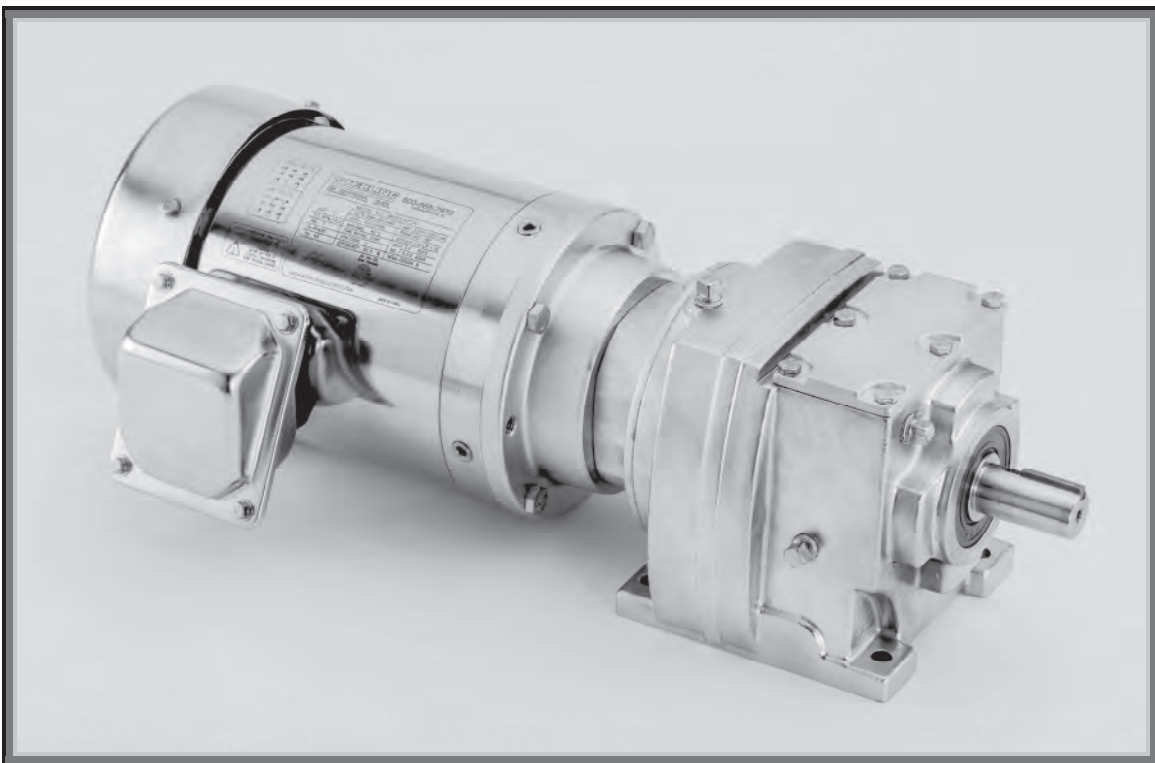
D1



Painted Helical Products



Stainless Steel Helical Products



Complete Range of Painted or Stainless Steel Gearmotors

D2	ENGINEERING	STERLING ELECTRIC, INC.
-----------	--------------------	------------------------------------

APPLICATION FORMULAS

TO OBTAIN	HAVING	FORMULA
Velocity (V) Feet Per Minute	Pitch Diameter (D) of Gear or Sprocket – Inches and Revolutions Per Minute (RPM)	$V = .2618 \times D \times \text{RPM}$
Revolutions Per Minute (RPM)	Velocity (V) Feet Per Minute and Pitch Diameter (D) Of Gear or Sprocket – Inches	$\text{RPM} = \frac{V}{.2618 \times D}$
Pitch Diameter (D) of Gear or Sprocket	Velocity (V) Feet Per Minute and Revolutions Per Minute (RPM)	$D = \frac{V}{.2618 \times \text{RPM}}$
Torque (T) Inch Lbs.	Force (W) Lbs. and Radius (R) Inches	$T = W \times R$
Horsepower (HP)	Force (W) Lbs. and Velocity (V) Feet Per Minute	$\text{HP} = \frac{W \times V}{33,000}$
Horsepower (HP)	Torque (T) In. Lbs. and Revolutions per Minute (RPM)	$\text{HP} = \frac{T \times \text{RPM}}{63,025}$
Torque (T)	Horsepower (HP) and Revolutions per Minute (RPM)	$T = \frac{63,025 \times \text{HP}}{\text{RPM}}$
Force (W) Lbs.	Horsepower (HP) and Velocity (V) Feet Per Minute	$W = \frac{33,000 \times \text{HP}}{V}$
Revolutions per Minute (RPM)	Horsepower (HP) and Torque (T) In. Lbs	$\text{RPM} = \frac{63,025 \times \text{HP}}{T}$

OVERHUNG LOADS AND AXIAL THRUSTS

MAXIMUM PERMISSIBLE OVERHUNG LOADS

When a sprocket, gear etc. is mounted on the shaft a calculation, as below, must be made to determine the overhung load on the shaft, and the results compared to the maximum permissible overhung loads tabulated. Overhung loads can be reduced by increasing the diameter of the sprocket, gear, etc. If the maximum permissible overhung load is exceeded, the sprocket, gear, etc. should be mounted on a separate shaft, flexible coupled, and supported in its own bearing, or the gear unit shaft should be extended to run on an outboard bearing. Alternatively, a large gear is often a less expensive solution.

Permissible overhung loads vary according to the direction of rotation. The values tabulated are for the most unfavorable direction with the unit transmitting full rated power and the load P applied at the center of the shaft keyway. Hence they can sometimes be increased for a more favorable direction of rotation, or if the power transmitted is less than the rated capacity of the gear unit, or if the load is applied nearer to the gear unit case. Refer to Sterling Electric for further details. In any event, the sprocket, gear etc. should be positioned as close as possible to the gear unit case in order to reduce bearing loads and shaft stresses, and to prolong life.

All units will accept 100% momentary overload on stated capacities.

OVERHUNG LOAD (lbs)

$$P = \frac{\text{HP} \times 126,000 \times K}{N \times D}$$

where:

P = equivalent overhung load (lb)
 HP = power transmitted by the shaft (HP)
 N = speed of shaft (rpm)
 D = pitch diameter of sprocket, etc. (in)
 K = factor

OVERHUNG MEMBER

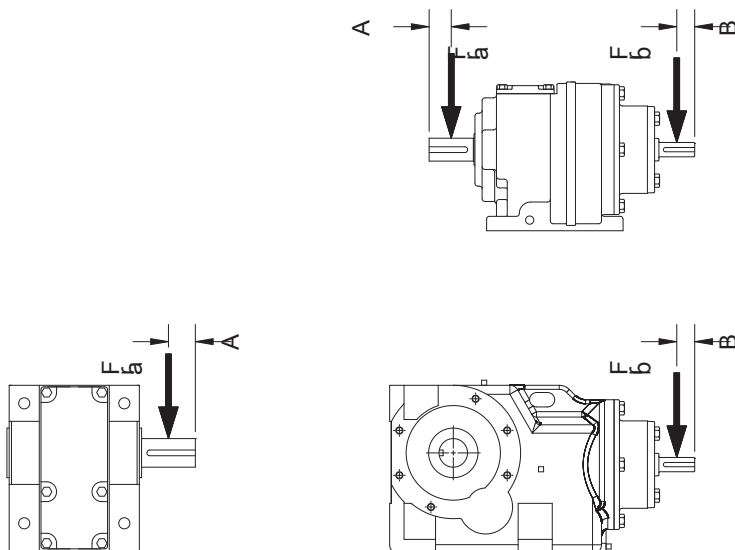
Chain sprocket*	1.00
Spur or helical pinion	1.25
Vee belt sheave	1.50
Flat belt pulley	2.00

K (factor)

* If multi-strand chain drives are equally loaded and the outer strand is further than dimension Fra output or Frb input, refer to Sterling Electric.

Note: 1 lb = 2.2047kg = 4.4484 Newtons

**REDUCER OVERHUNG LOADS
(Frb) ON INPUT SHAFT**

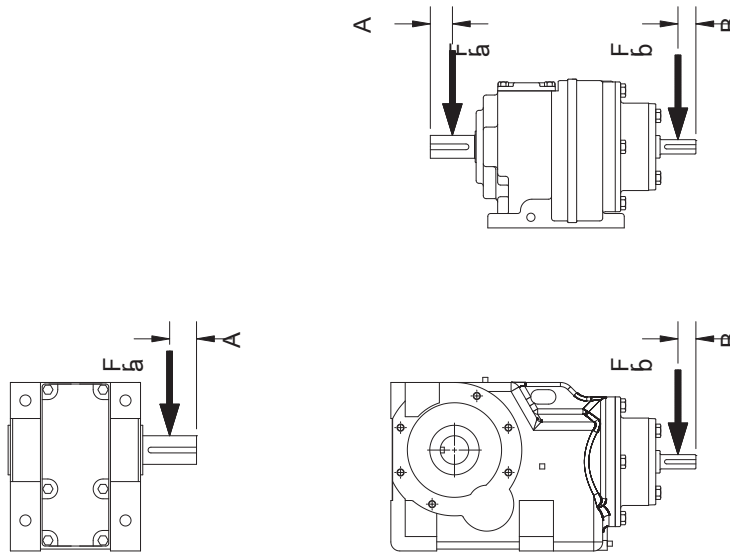


K-Series Helical Bevel			
Unit Size	No. of Reductions	Dim A (in)	Dim B (in)
K04	3	0.985	0.930
K06	3	1.378	1.500
K07	3	1.575	1.870
R, G, H-Series in-Line Helical			
Unit Size	No. of Reductions	Dim A (in)	Dim B (in)
R04	2	0.985	0.785
R06	2	1.378	0.785
R07	2	1.575	0.985
G07	3	1.575	0.985
G08	2	1.969	1.180
	3	1.969	0.985
G09	2	2.360	1.570
	3	2.360	1.180
G10	2-3	2.755	2.165
G13	2-3	3.345	2.165
G14	2-3	4.135	2.165

REDUCER OVERHUNG LOADS (Fra) ON OUTPUT SHAFT

Double Reduction								
Output RPM	R, G, H-Series In-Line Helical Double Reduction							
	R0402	R0602	R0702	G0802	H0902	H1002	H1302	H1402
875-795	568	621	950		2840	3750		
795-701	569	601	1045		2940	3820		
700-626	570	585	1045		3050	3920		
625-584	576	559	1065		2770	4210	7810	10100
583-548	581	537	1085		2770	4210	7810	10100
547-487	562	561	1065		3300	3940	7990	10300
486-439	567	502	1390	2670	3430	4100	8250	10700
438-390	529	405	1065		2890	4140	8430	10900
389-351	535	396	1090		2850	3960	8540	11200
350-325	573	266	1065	2510	2550	3920	8660	11300
324-303	529	266	1065					
302-279	521	209	925	2330	2430	3530	8530	11000
278-244	505	187	797	2120	2550	2990	8260	11100
243-220	536	167	625		2540	2900	8040	10800
219-195	640	114	605	1560	2110	3060	7830	9620
194-176	647	167	556	1450	2100	2980	7530	9080
175-160	671	205	505		2500	2630	6930	9370
159-147	674	244	482	1390	2530	2550	7250	9230
146-126	690	390	456	1410	1990	2810	7330	8280
125-104	731	387	463	1360	1990	2740	7620	8590
103-98	756	472	456	1350				
97-89	799	522	539	1460	2820	3260	8250	9620
88-81	844	659	613	1440	2110	2580	8540	9780
90-68	892	714	712	1560	2290	2510	8880	9980
67-56	899	903	837	1830	3310	4290	9260	11200
55-50	899	1060	994	2040	2690	3820	10300	12200
49-43	899	1080	1080	2130	3210	4510	10900	12700
42-36	899	1230	1130	2470	4570	5630	10900	16000
35-33	899	1410	1670	2630	4200	6480	13200	17600
32-0	899	1620	2060	3730	6410	7810	13200	18200

D4	ENGINEERING	STERLING ELECTRIC, INC.
-----------	--------------------	------------------------------------



Triple Reduction									
Output RPM	R, G, H-Series In-Line Helical						K-Series Helical Bevel		
	G0703	G0803	H0903	H1003	H1303	H1403	K043	K063	K073
159-147							773	856	1390
146-126							844	887	1220
125-110							870	918	1170
109-98							907	952	1120
97-89							982	1030	1230
88-81							1030	1090	1300
80-71							1100	1160	1410
70-64							1150	1230	1460
63-56							1200	1340	1560
55-45							1250	1440	1610
44-36							1310	1500	1710
35-30							1350	1660	1820
29-28	1260	3250	5690	8680	13700	17400	1350	1720	1970
27-26	1590	3540	5920	9190	14400	18000	1350	1800	2180
25-23	1430	3530	5930	8880	14500	18300	1350	1800	2440
22-19	1370	3330	5710	9230	14500	19200	1350	1800	2580
18-17	1150	3250	5780	9620	14600	20300	1350	1800	2880
16-15	1050	3250	5780	9620	14600	20300	1350	1800	3180
14-12	1050	3250	5610	9350	14500	20300	1350	1800	3370
11-10	1050	3250	6320	9520	14500	20400			
9	1050	3250	5610	9350	14500	20300			
8	1050	3250	5610	9350	14500	20300			
7			6320	9520	14500	20300			

REDUCER OVERHUNG LOADS (Frb) ON INPUT SHAFT

Double Reduction									
Ratio	R, G, H-Series In-Line Helical Double Reduction								
	R0402	R0602	R0702	G0802	G0902	H1002	H1302	H1402	
All	325	230	345	315	315	535	1365	1490	
Triple Reduction									
Ratio	G, H-Series In-Line Helical						K-Series Helical Bevel		
	G0703	G0803	G0903	H1003	H1303	H1403	K043	K063	K073
All	380	470	785	880	2500	2500	325	230	345

STERLING ELECTRIC, INC.	ENGINEERING	D5
------------------------------------	--------------------	-----------

GENERAL OPERATION

1. Run the motor, which drives the unit, and check the direction of unit output rotation. Consult motor nameplates for instructions to reverse the direction of rotation.
2. Attaching the load: On direct-coupled installations, check shaft and coupling alignment between unit and loading mechanism. On chain/sprocket and belt/pulley installation, locate the sprocket or pulley as close to the oil seal as possible to minimize overhung load. Check to verify that the overhung load does not exceed specifications published in the catalog.
3. High momentum loads: If coasting to a stop is undesirable, a braking mechanism should be provided to the unit output or the driven mechanism.

CAUTION: The system of connected rotating parts must be free from critical speed, torsional or other type vibration, no matter how induced. The responsibility for this system analysis lies with the purchaser of the speed reducer.

INSTALLATION – FOOT MOUNTED

The following procedure is recommended for all foot mounted units with solid output shafts.

1. Clean shaft extensions.
2. Mount the unit using grade 5 or higher fasteners.
3. The ground footing, foundation, or base plate on which unit is installed must be rigid and stable and not susceptible to vibration from surrounding equipment or distortion which may cause premature failure of the unit.
4. Align unit with driven shaft and install flexible coupling – **DO NOT USE** rigid couplings.
5. Check angular alignment by using a feeler gauge between coupling hubs at four points, 90 degrees apart. Position the unit to obtain best possible alignment and correct coupling hub separation. Consult factory, equipment supplier, or coupling manufacturer for proper values.
6. Check the offset alignment between the two shafts. Use a dial indicator mounting on one hub (unit side, for example), with the dial indicator button contacting the alignment surface of the opposite hub. Rotate the opposite shaft slowly by hand and take a reading on at least four equally spaced points. Move unit until the indicator movement does not exceed 0.002 in. Transfer indicator to opposite hub and recheck. Recheck angular alignment as described above.
7. Fit guards in accordance with the relevant state and local safety regulations.
8. Check the oil level and install the breather vent (if required) as described in **LUBRICATION**.
9. Install the motor as described in **MOTOR INSTALLATION**.

D6

ENGINEERING**STERLING
ELECTRIC, INC.****INSTALLATION – K-SERIES SHAFT MOUNT**

The following procedure is recommended for all straight bore shaft mounted units with standard torque arm. Refer to the Helical Bevel catalog for torque arm mounting and customer shaft dimensions when using the straight bore shaft mounting option.

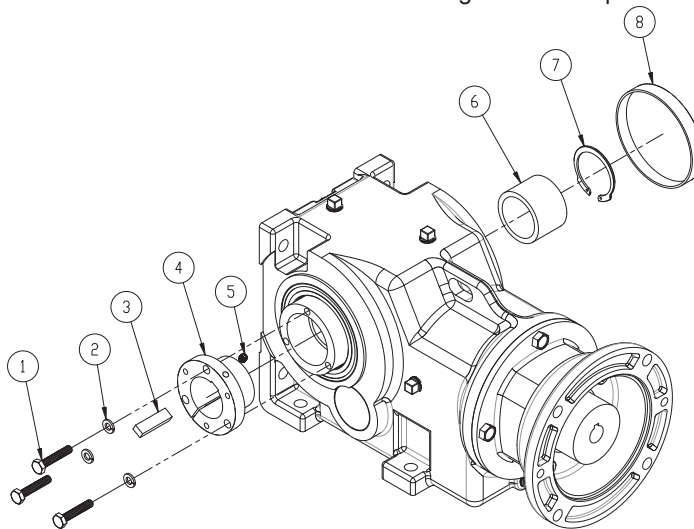
1. Clean driven shaft extension and output bore of the unit.
2. Apply anti-seize or anti-fretting compound (not supplied) to the hollow bore of the unit to aid removal at a later date.
3. Locate the unit in position onto the driven shaft by the most convenient method using good engineering practices; ensuring it is as close as possible to the bearing on the driven equipment.
4. Anchor the unit to a secure point on the structure by means of the torque arm or other flexible device.

WARNING: DO NOT RIGID MOUNT UNIT. Mounting should be such to allow freedom of movement of the reducer to pivot around the driven shaft centerline without imposing excessive loads than can lead to driven shaft breakage, premature reducer bearing failure, cracking of the conveyor structure, and leaks. Consult factory if needed.

5. Fit guards in accordance with the relevant state and local safety regulations.
6. Check the oil level and install the breather vent (if required) as described in **LUBRICATION**.
7. Install supplied shaft cover.
8. Install the motor as described in **MOTOR INSTALLATION**

INSTALLATION – K-SERIES TAPER LOCK BUSHING

The following procedure is recommended for all shaft mounted units using a taper lock bushing and standard torque arm. All taper lock bushing kits are supplied with bushing, mounting hardware, centering ring, snap ring, and shaft key. Refer to the Helical Bevel catalog for torque arm mounting and customer shaft dimensions when using the taper lock bushing mounting option. Refer to illustration below when installing units with taper lock bushings.



Item No.	Description	Qty	Item No.	Description	Qty
1	Hex Head Screw	3	5	Set Screw	1
2	Lock Washer	3	6	Centering Ring	1
3	Shaft Key	1	7	Internal Snap Ring	1
4	Taper Lock Bushing	1	8	Shaft Cover	1

	<h2 style="margin: 0;">ENGINEERING</h2>	<h2 style="margin: 0;">D7</h2>
---	---	--------------------------------

INSTALLATION – K-SERIES TAPER LOCK BUSHING (Continued)

1. Clean driven shaft extension and output bore of the unit.
2. Taper lock bushings should always be installed onto the driven shaft as close as possible to the bearing on the driven equipment.
3. Install the supplied centering ring and snap ring opposite the hollow shaft hub.
4. Install the supplied shaft key.

CAUTION: Taper lock bushings are meant to be dry mounted. **DO NOT USE** lubricants, anti-seize, or anti-fretting compounds on the bushing and shaft mounting area.

5. Align tapped holes in hollow shaft hub with drilled through holes in tapered bushing.
6. Insert hex head screws (supplied) through the drilled holes in tapered bushing and thread loosely into tapped holes in hollow shaft hub.
7. Position assembly on driven shaft. Make sure the key is in contact with the full length of the tapered bushing. Tighten hex head screws in a progressively and uniformly manner to the torque value listed below.

Unit size	Screw Size	Tightening Torque
K04	1/4-20	9 ft-lbs
K06	5/16-18	15 ft-lbs
K07	3/8-16	30 ft-lbs

WARNING: The tightening force on the hex head screws is multiplied many times by the wedging action of the tapered surface. If extreme tightening force is applied, or if a lubricant is used, bursting pressures will be created in the hollow shaft hub of the mating part.

8. Install set screw over shaft key and tighten.
9. Anchor the unit to a secure point on the structure by means of the torque arm.
10. Fit guards in accordance with the relevant state and local safety regulations.
11. Check the oil level and install the breather vent (if required) as described in **LUBRICATION**.
12. Install supplied shaft cover.
13. Install the motor as described in **MOTOR INSTALLATION**.

WARNING: Hot oil or gear units can cause severe burns. Use extreme care when removing lubrication plugs and vents.

WARNING: Make certain that the power supply is disconnected before attempting to service or remove any components. Lock out the power supply and tag it to prevent unexpected application of power.

REMOVAL – TAPER LOCK BUSHING

1. Remove shaft cover.
2. To remove the unit, loosen set screw over the shaft key.
3. Loosen and remove hex head screws. These will be used as jack screws in the tapped holes in the taper lock bushing.
4. Insert hex head screws in the tapped holes in the taper lock bushing and progressively tighten each one until hollow shaft hub is loose on bushing.
5. Remove unit using caution.

D8

ENGINEERING

STERLING
ELECTRIC, INC.

MOTOR INSTALLATION

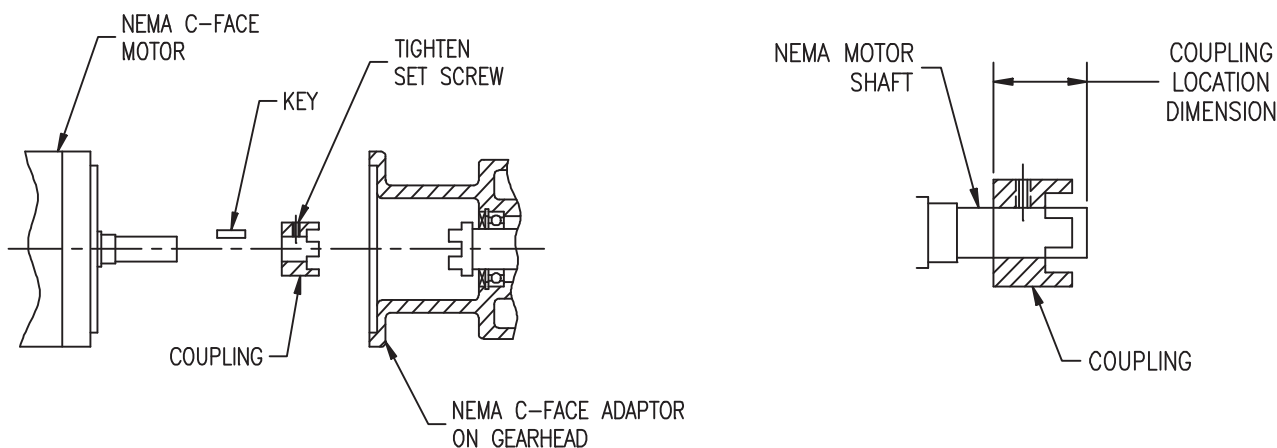
1. Mount the motor using the hardware supplied.

NOTE: With C-face Input Helical In-line Reducer (Models R04-R07) or Helical Bevel Reducer, Sterling Electric supplies the motor coupling half, a key, and a flexible coupling spider. In order to aid removal at a later date, anti-seize compound (not supplied) can be applied to the motor shaft and C-face pilot diameter.

NOTE: The motor coupling must be mounted with the supplied parts. Failure to use the supplied parts could void the Sterling Electric Warranty.

2. Remove any dirt or adhesive residue from the motor shaft.
3. The supplied key is to be placed in the motor keyway and should be located under the motor coupling.
NOTE: the key is not to extend beyond the coupling bore on EITHER side.
4. The motor coupling is to be mounted on the motor shaft and is to be located accordingly to the dimension specified in **NEMA Adapter Coupling Location (shown below)**.
5. Tighten the setscrew located on the motor coupling.
6. Place the flexible motor spider between the jaws of the motor coupling. Align the motor coupling so that the jaws on the reducer coupling mesh with the motor coupling. The motor shaft will extend into the bore of the reducer coupling. Secure the flanged motor to the C-face adapter with the supplied hardware unless otherwise specified by the motor manufacturer.

NEMA Adapter Coupling Location



NEMA Frame Size	*Coupling location Dimension (in)		
	K04/ R04	K06/ R06	K07/ R07†
56C	1.79	1.90	
143TC / 145TC	1.85	1.97	1.79
182TC / 184TC	2.31	2.03	2.29
213TC / 215TC		N/A**	N/A**
254TC / 256TC			N/A**

*Coupling Location Dimension Tolerance is $-0.0/+0.031$

** Quill style input, only special key required.

† No special key required on R0702.

7. For shipment, pipe plugs are installed in the unit and a vent plug is packed separately. After mounting the unit in position, remove the appropriate pipe plug and install the vent plug in the location shown in the chart on Page D9, based on mounting position. Failure to vent the unit can cause premature seal wear or loss of seal and oil. These conditions are not covered by warranty. Check for correct oil level. Contact the factory for level and vent recommendations on non-standard mounting positions.

	ENGINEERING	D9
---	--------------------	-----------

- WARNING:** Prior to startup, verify that the unit is filled with the proper amount of oil based on the mounting position shown in the LUBRICATION section. Failure to do so will void the warranty.
- CAUTION:** Do not operate the unit without making sure it contains the correct amount of oil. Do not overfill or underfill with oil, or injury to personnel, reducer or other equipment may result.
- CAUTION:** A unit cannot be used as an integral part of a machine superstructure which would impose additional loads on the unit other than those imposed by the torque being transmitted either through a shaft-mounted arrangement, and any shaft mounted power transmitting device. (e.g. sprockets, pulleys, couplings)
- CAUTION:** For safe operation and to maintain the unit warranty, when changing a factory installed fastener for any reason, it becomes the responsibility of the person making the change to properly account for fastener grade, thread engagement, load, tightening torque and the means of torque retention.

LUBRICATION

All standard Helical In-line reducers or Helical Bevel reducers ordered from the factory are shipped with standard compounded lubricant and are good for an ambient temperature ranges of 30° F to 104° F. All washdown and stainless steel Helical In-line reducers or Helical Bevel reducers ordered from the factory are shipped with synthetic NSF H1 Food Grade lubricant and are good for an ambient temperature ranges of -10° F to 105° F.

Factory Lubrication levels are filled where position M1 is considered standard (shown on Page D10)

- CAUTION:** Use of synthetics can cause problems if they are not compatible with the seals or the conventional lubes they replace.
- CAUTION:** If the ambient temperature will be outside the range for the lubricant installed at the factory, drain and refill the reducer with the proper viscosity lubricant prior to use.

RECOMMENDED LUBRICATION OILS

<u>Mineral Oils</u>			
Manufacturer	ISO Viscosity / AGMA No.		
	220 / 5EP	320 / 6EP	460 / 7EP
	Ambient Temperature Range		
	-5 to 25 °C (23 to 77 °F)	0 to 40 °C (32 to 104 °F)	10 to 50 °C (50 to 122 °F)
Chevron USA, Inc.	Gear Compound EP220	Gear Compound EP320	Gear Compound EP460
Exxon CO. USA	Spartan EP220	Spartan EP320	Spartan EP460
Mobil Oil Co.	Mobilgear 630X	Mobilgear 632X	Mobilgear 634X
Shell Oil Co.	Omala 220	Omala 320	Omala 460
<u>Synthetic Oils</u>			
Manufacturer	ISO Viscosity / AGMA No.		
	220 / 5EP	320 / 6EP	460 / 7EP
	Ambient Temperature Range		
	-5 to 25 °C (23 to 77 °F)	0 to 40 °C (32 to 104 °F)	10 to 50 °C (50 to 122 °F)
Chevron USA, Inc.	Tegra Synthetic EP220	Tegra Synthetic EP320	Tegra Synthetic EP460
Exxon CO. USA	Spartan SEP220	Spartan SEP320	Spartan SEP460
Mobil Oil Co.	Mobil Cibus SHC630	Mobil Cibus SHC632	Mobil Cibus SHC 634
Shell Oil Co.	Omala HD220	Omala HD320	Omala HD460
Summit Industrial	Syngear SH-7220	Syngear SH-7320	Syngear SH-7460

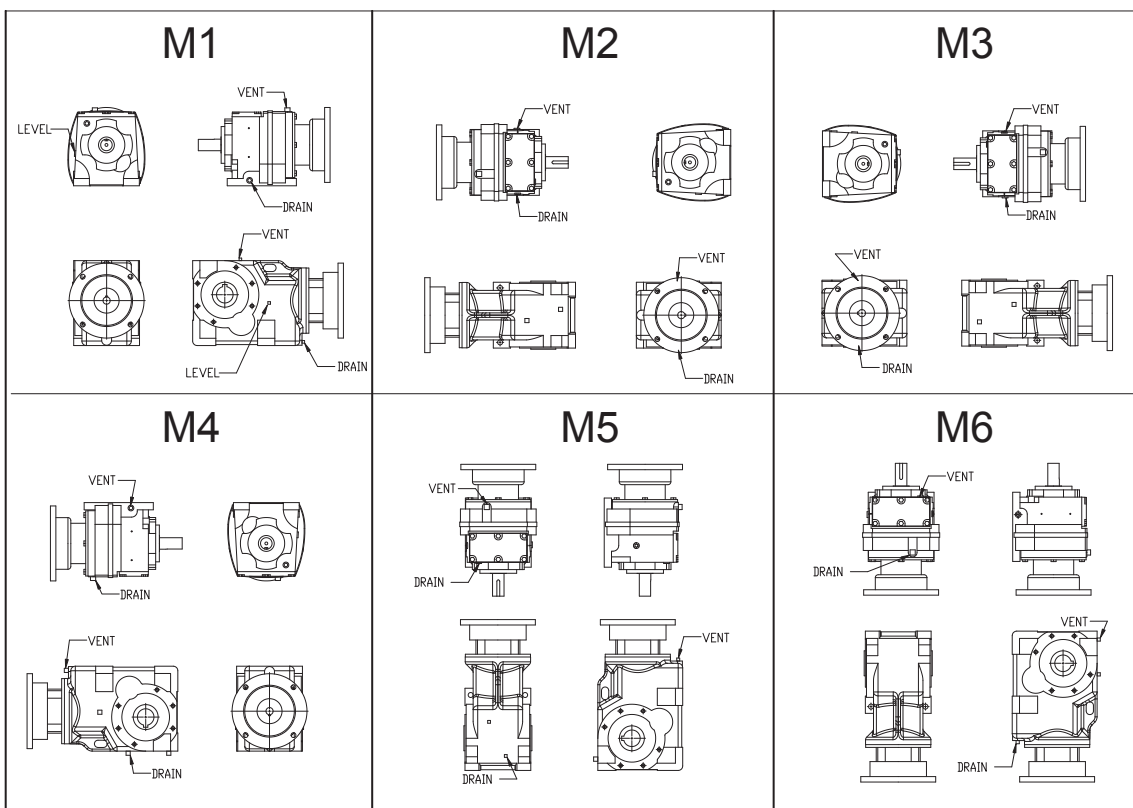
D10	ENGINEERING	STERLING ELECTRIC, INC.
------------	--------------------	------------------------------------

OIL CAPACITIES (FLUID OUNCE)

Mounting Position	Double Reduction								
	R-Series In-Line Helical								
	R0402	R0602	R0702	G0802	G0902	H1002	H1302	H1402	
M1	25	51	87	125	355	372	575	812	
M2	25	61	103	210	406	744	1048	1657	
M3	25	54	93	183	406	744	1048	1657	
M4	25	64	110	247	406	642	947	1386	
M5	48	64	106	216	568	1082	1589	2435	
M6	48	91	163	308	555	879	1285	2198	
Mounting Position	Triple Reduction						Triple Reduction		
	R-Series In-Line Helical						K-Series Helical Bevel		
	G0703	G0803	G0903	H1003	H1303	H1403	K043	K063	K073
M1	78	115	389	372	575	812	34	58	87
M2	98	203	389	778	1116	1691	44	95	103
M3	88	196	51	778	1116	1691	44	95	93
M4	112	267	389	676	1014	1454	58	112	110
M5	98	216	568	1082	1589	2435	75	142	106
M6	159	314	558	913	1353	2266	44	98	163

16 fl-oz = 1 pint
 2 pints = 1 quart
 4 quarts = 1 US gallon

VENT / LEVEL / DRAIN LOCATIONS

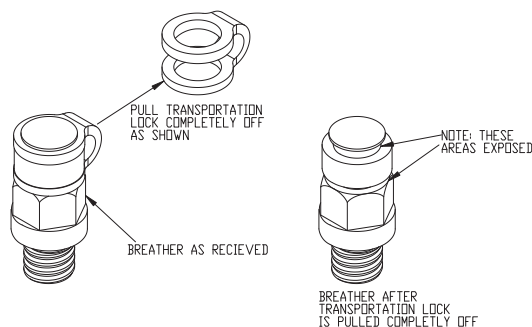


* NOTE: The unit is filled at the factory with the proper amount of oil for the standard mounting position M1. A level plug is provided for this position only so the unit can be checked for proper oil level prior to installation and start-up. All other mounting positions will require the oil level to be measured out prior to filling the unit based on the values in the table labeled **OIL CAPACITIES** above.

VENT PLUG LOCATION

Before putting the unit into operation, substitute the vent plug for the solid plug at the position desired. Arrows indicate the recommended vent plug locations as shown on Page D10.

Washdown and stainless steel units are supplied with a Heinrichs Breather with a rubber transportation lock. The transportation lock must be completely removed before operation. Failure to do so may cause the unit to leak. See below.



Change Intervals: Standard compounded lubricants should be changed every 10,000 operating hours. Synthetic lubricants should be changed every 20,000 operating hours.

CAUTION: Oil should be changed more often if the unit is used in a severe environment. (*i.e. dusty, humid*)

CAUTION: In the Food and Drug Industry (including animal food), consult the lubrication supplier for recommendation of lubricants which are acceptable to the Food and Drug Administration and/or other authoritative bodies having jurisdiction.

MAINTENANCE

Your Sterling Electric unit has been tested and adjusted at the factory. Dismantling or replacement of components must be done by Sterling Electric to maintain the warranty.

Frequently check the oil level of the unit. If oil level is low, (refer to the vent and level position chart) add proper lubrication through the filler plug until it comes out the oil level plug.

Inspect vent plug often to insure it is clean and operating.

CAUTION: Mounting bolts should be routinely checked to ensure that the unit is firmly anchored for proper operation.

Seals: The Sterling Electric line of speed reducers utilizes premium quality Viton® seals which are the state-of-the-art in sealing technology. Seals are, however, a wear item and eventually need to be replaced. Replacement of the seals can be easily accomplished by following the steps below:

1. Remove the worn seal without damaging the shaft surface or the seal bore. This can be done by drilling a .062 diameter hole in the seal casing (being careful not to drill into the bearing behind the seal). Screw a #10 sheet metal screw into the hole and pry out the seal.
2. Clean the seal bore of sealant.
3. Before installing the new seal, use electrical tape to cover any keyways or sharp edges on the shaft to prevent seal lip damage.
4. Grease the seal lips with bearing grease and apply a sealant to the seal bore.
5. Slide the seal into the shaft being careful not to fold the inner lip over on any shaft steps.
6. Press the seal into its bore with a sleeve that presses on the seal casing, being careful to keep the seal square in its bore.

D12**ENGINEERING****STERLING
ELECTRIC, INC.**

CLASS OF SERVICE

All capacity ratings are based on American Gear Manufacturers Association (AGMA) Standards. Load conditions must be within cataloged ratings published in the current Sterling Electric Catalog (available upon request).

LONG-TERM STORAGE (6 MONTHS UP)

Units must be stored indoors, in a dry, warm temperature.

Completely fill the unit with oil.

Rotate the input shaft so that the output shaft rotates at least one revolution per month.

Completely cover the input and output shaft with grease.

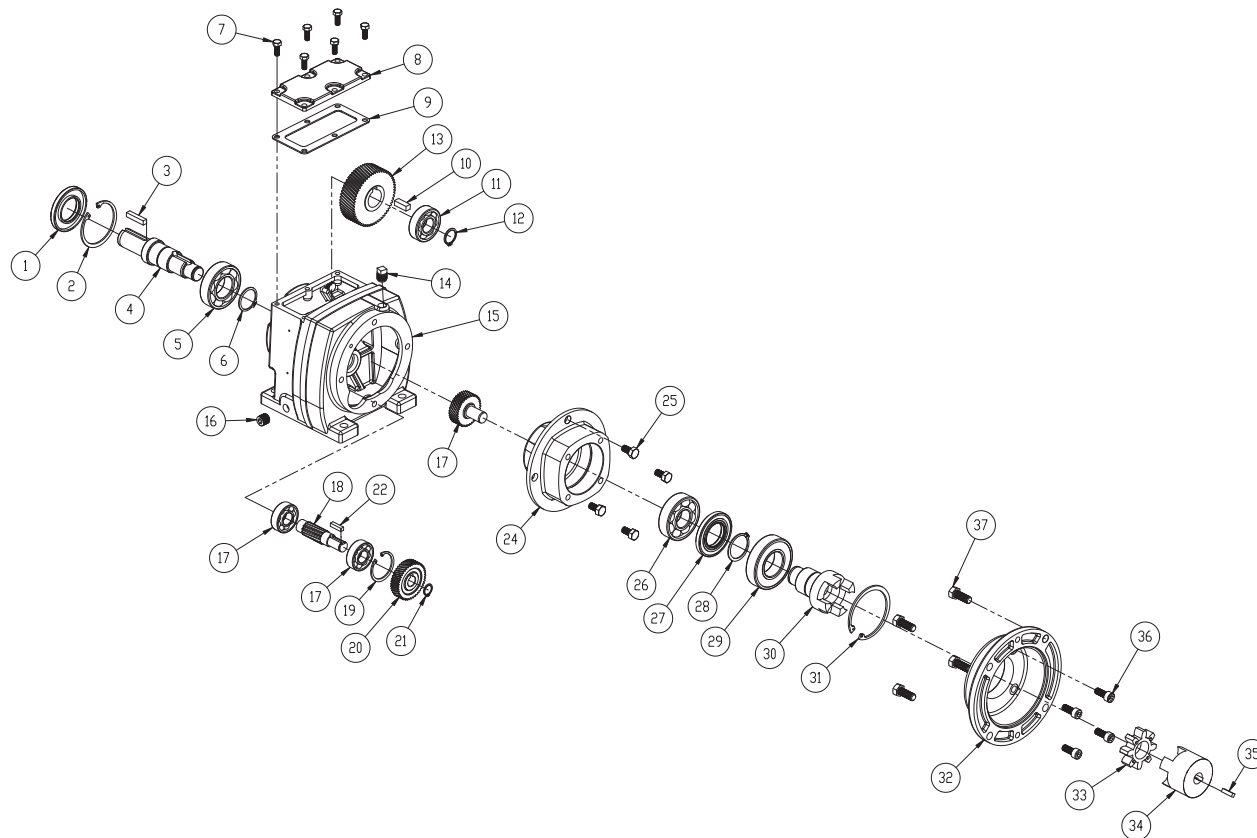
At the time of start up, drain the storage oil, install the breather, and fill to the proper oil level with correct lubricant for the operating condition.

WARRANTY (LIMITED)

The warranty will cover all of the parts in the gearmotor or reducer unit for 12 months from the date of service not to exceed 18 months from date of shipment on R2000HG Helical units. The warranty will cover all of the parts in the gearmotor or reducer unit for 36 months from the date of shipment on R2000HB Helical Bevel units.

The warranty is only for parts and labor. In no event shall our liability exceed the original price of the unit, nor does it cover cost of on-site repair, installation, or freight.

Contact the service department for a complete explanation as to the full warranty policies and conditions of sale. All dimensions designs and specifications are subject to change without notice.

R-SERIES HELICAL INLINE REDUCERS
DOUBLE REDUCTION UNIT
Parts List


Item No.	Description	Qty	Item No.	Description	Qty	Item No.	Description	Qty
1	Output Seal	1	14	Breather / Vent	1	27	Input Seal	1
2	Internal Snap Ring	1	15	Gear Case Housing	1	28	External Snap Ring	1
3	Output Key	1	16	NPT Plug	3	29	Double Sealed Ball Bearing	1
4	Output Shaft	1	17	Cylindrical Roller Bearing	2	30	Input Shaft	1
5	Ball Bearing	1	18	Final Pinion Shaft	1	31	Internal Snap Ring	1
6	External Snap Ring	1	19	Internal Snap Ring	1	32	Input Motor Flange	1
7	Hex Head Screw	6	20	Primary Gear	1	33	Coupling Spider	1
8	Cover Plate	1	21	External Snap Ring	1	34	Motor Coupling Half	1
9	Cover Plate Gasket	1	22	Key	1	35	Motor Coupling Key	1
10	Key	1	23	Primary Pinion	1	36	Socket Head Screw	4
11	Ball Bearing	1	24	Input Adapter	1	37	Hex Head Bolt	4
12	External Snap Ring	1	25	Hex Head Screw	4			
13	Final Gear	1	26	Ball Bearing	1			

NOTES: REPLACEMENT GEARS ARE AVAILABLE IN SETS ONLY. FOR EXAMPLE, A FINAL GEAR KIT WILL CONTAIN THE FINAL GEAR AND FINAL PINION SHAFT. A PRIMARY GEAR KIT WILL CONTAIN A PRIMARY GEAR AND A PRIMARY PINION. CONSULT FACTORY FOR PART NUMBERS.

D14	ENGINEERING	STERLING ELECTRIC, INC.
------------	--------------------	------------------------------------

SEAL AND BEARING SIZES

Input Bearings (Item #29)

Unit Size	Bearing Part Number and Size				
	Series	OD (mm)	ID (mm)	Width (mm)	Sterling P/N
R0402	6207LLC3	72	35	17	400-0118-2
R0602	6208LLC3	80	40	18	400-0171-9
R0702**	6211LLC3	100	55	21	400-0124-7

(Item #26)

Unit Size	Bearing Part Number and Size				
	Series	OD (mm)	ID (mm)	Width (mm)	Sterling P/N
R0402	6305	62	25	17	400-0008-9
R0602	6306	72	30	19	400-0022-4
R0702**	6307LLC3	80	35	21	400-0133-4

Intermediate Bearings (Item #17)

Unit Size	Bearing Part Number and Size				
	Series	OD (mm)	ID (mm)	Width (mm)	Sterling P/N
R0402	NJ203	40	17	12	400-0536-4
R0602	NJ204	47	20	14	400-0540-0
R0702	NJ305	62	25	17	400-0549-1

Output Bearings (Item #5)

Unit Size	Bearing Part Number and Size				
	Series	OD (mm)	ID (mm)	Width (mm)	Sterling P/N
R0402	6206	62	30	16	400-0008-9
R0602	6207	72	35	17	400-0009-7
R0702	6308	90	40	23	400-0025-9

(Item #11)

Unit Size	Bearing Part Number and Size				
	Series	OD (mm)	ID (mm)	Width (mm)	Sterling P/N
R0402	6204	20	47	14	400-0005-4
R0602	6206	62	30	16	400-0008-9
R0702	6207	72	35	17	400-0009-7

Input Seal

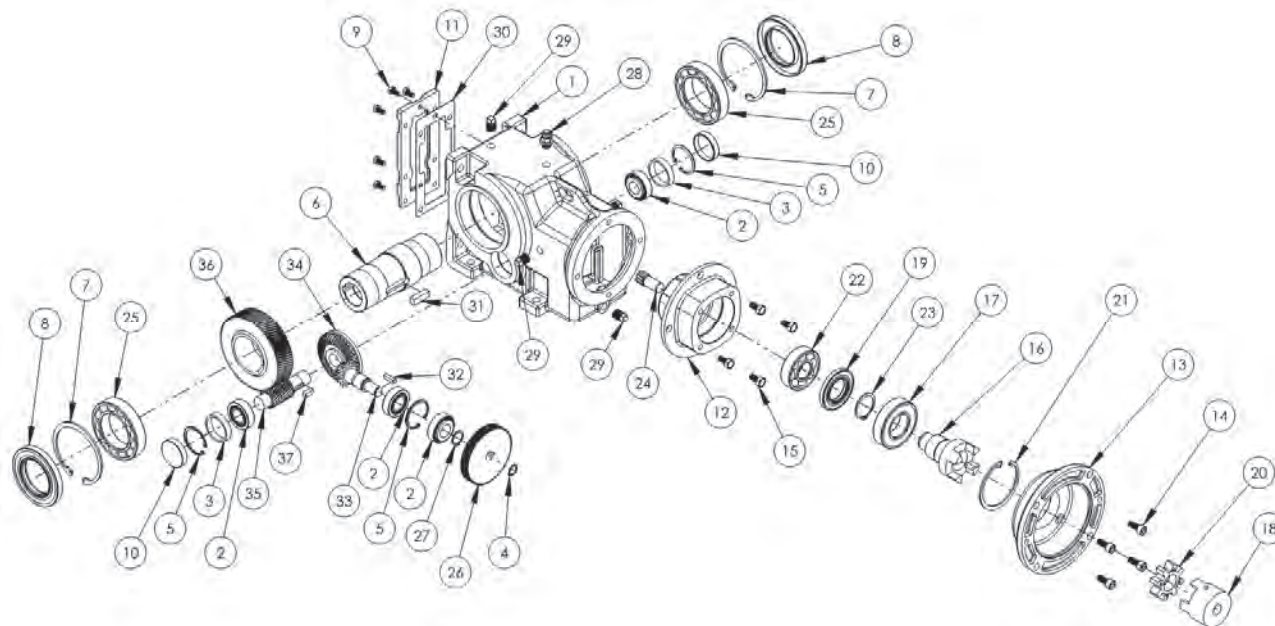
Unit Size	Bearing Part Number and Size			
	Shaft (mm)	Bore (mm)	Width (mm)	Sterling P/N
R0402*	35	62	7	404-0350-0
R0602	40	72	7	404-0362-8
R0702**	35	55	8	404-0294-6

Output Seal

Unit Size	Bearing Part Number and Size			
	Shaft (mm)	Bore (mm)	Width (mm)	Sterling P/N
R0402	35	62	7	404-0350-0
R0602	40	72	7	404-0362-8
R0702	50	90	8	404-0280-0

* EARLY STYLE UNITS HAVE 55X72X10 SIZE INPUT SEALS (P/N 404-0351-9). CONTACT FACTORY WITH UNIT SERIAL NUMBER BEFORE ORDERING SEALS TO CONFIRM SIZE. EARLY UNITS CAN BE RETROFITTED WITH THE CURRENT SEAL AS LONG AS A DOUBLE SEALED BEARING IS USED LOC#27 AND THE SEAL IS PROPERLY LOCATED IN THE HOUSING. CONSULT FACTORY FOR DETAILS.

** EARLY R0702 210TC QUILL STYLE UNITS HAVE 40X55X8 SIZE INPUT SEALS (P/N 404-0391-9) AND INPUT BEARING SIZE 6013LLC3 FOR ITEM#29 AND BEARING SIZE 6308LLC3 FOR ITEM#26 (P/N 400-0550-0 AND 400-0120-4 RESPECTIVLY). BEFORE ORDERING SEALS AND BEARINGS CONFIRM SIZE. EARLY UNITS CANNOT BE RETROFITTED WITH THE CURRENT SEALS AND BEARINGS. CONSULT FACTORY FOR DETAILS.

TRIPLE REDUCTION UNIT
Parts List


Item No.	Description	Qty	Item No.	Description	Qty	Item No.	Description	Qty
1	Gear Case Housing	1	14	Socket Head Screw	4	27	External Snap Ring	1
2	Tapered Roller Baring	4	15	Hex Head Screw	4	28	Breather / Vent	1
3	Spacer Ring	2	16	Input Shaft	1	29	NPT Plug	4
4	External Snap Ring	1	17	Double Sealed Ball Bearing	1	30	Cover Plate Gasket	1
5	Internal Bevel Ring	3	18	Motor Coupling Half	1	31	Key	1
6	Hollow Output	1	19	Input Seal	1	32	Key	1
7	Internal Snap Ring	2	20	Coupling Spider	1	33	Bevel Pinion	1
8	Output Seal	2	21	Internal Snap Ring	1	34	Bevel Gear	1
9	Hex Head Screw	7	22	Ball Bearing	1	35	Final Pinion Shaft	1
10	End Cap Seal	2	23	External Snap Ring	1	36	Final Gear	1
11	Cover Plate	1	24	Primary Pinion	1	37	Key	1
12	Input Adapter	1	25	Ball Bearing	2			
13	Input Motor Flange	1	26	Primary Gear	1			

NOTES: REPLACEMENT GEARS ARE AVAILABLE IN SETS ONLY. FOR EXAMPLE, A FINAL GEAR KIT WILL CONTAIN THE FINAL GEAR AND FINAL PINION SHAFT. A PRIMARY GEAR KIT WILL CONTAIN A PRIMARY GEAR AND A PRIMARY PINION. CONSULT FACTORY FOR PART NUMBERS. ALL BEVEL SETS MUST BE SHIMMED TO SET MOUNTING DISTANCE AND BEARING PRE-LOAD.

D16

ENGINEERING**STERLING
ELECTRIC, INC.****K-SERIES HELICAL BEVEL
SEAL AND BEARING SIZES****Input Bearings
(Item #17)**

Unit Size	Bearing Part Number and Size				
	Series	OD (mm)	ID (mm)	Width (mm)	Sterling P/N
K043	6207LLC3	72	35	17	400-0118-2
K063	6208LLC3	80	40	18	400-0171-9
K073	6211LLC3	100	55	21	400-0124-7

(Item #22)

Unit Size	Bearing Part Number and Size				
	Series	OD (mm)	ID (mm)	Width (mm)	Sterling P/N
K043	6305	62	25	17	400-0008-9
K063	6306	72	30	19	400-0022-4
K073	6307LLC3	80	35	21	400-0133-4

**Intermediate Bearings
(Item #2)**

Unit Size	Bearing Part Number and Size				
	Series	OD (mm)	ID (mm)	Width (mm)	Sterling P/N
K043	32004	42	20	15	400-0558-2
K063	32205	52	25	19.25	400-0564-6
K073	32206	62	30	25	400-0573-7

**Output Bearings
(Item #25)**

Unit Size	Bearing Part Number and Size				
	Series	OD (mm)	ID (mm)	Width (mm)	Sterling P/N
K043	6011	90	55	18	400-0559-1
K063	6014	110	70	20	400-0563-7
K073	6016	125	80	22	400-0572-8

Input Seal

Unit Size	Bearing Part Number and Size			
	Shaft (mm)	Bore (mm)	Width (mm)	Sterling P/N
K043	35	62	7	404-0350-0
K063	40	72	7	404-0362-8
K073	35	55	8	404-0294-6

End Cap Seal

Unit Size	Bearing Part Number and Size			
	Shaft (mm)	Bore (mm)	Width (mm)	Sterling P/N
K043	-	42	7	404-0407-3
K063	-	52	7	404-0390-0
K073	-	62	10	404-0437-3

Output Seal

Unit Size	Bearing Part Number and Size			
	Shaft (mm)	Bore (mm)	Width (mm)	Sterling P/N
K043	55	90	10	404-0406-4
K063	70	110	10	404-0412-8
K073	80	125	10	404-0436-4

CONDITIONS OF SALE

Acceptance of your order is subject to the following terms and conditions as well as the condition of sale stated in the Price Book, which may not be superseded or modified in any manner by the terms of your purchase order unless specifically agreed to in writing by Sterling Electric, Inc. ("the Company");

1. **WARRANTY** - The Company warrants that all of its own manufactured products will be of the kind and quality described in the specifications established at time of purchase, and no other warranty, except of title, is herein expressed and none shall be implied. The conditions of any test of the products shall be mutually agreed upon, and the Company shall be notified of and may be represented at all tests that may be made. If any failure to comply with the specifications appears within one year from the date of shipment the Purchaser shall notify the Company thereof immediately. Failure to notify the Company within such period shall relieve said Company from any and all obligations. The liability of the Company (except as to title) arising out of the supplying of said products or their use, whether on warranties or otherwise, shall not in any case exceed the least of the cost or correcting defects in the products, by repair or by supplying a replacement, f.o.b. factory, of the defective part or parts. Upon expiration of (1) year from the date of shipment all such liability shall terminate.

THE FOREGOING WARRANTY IS IN LIEU OF ALL OTHER WARRANTIES, EXPRESSED OR IMPLIED, WITH RESPECT TO THE PRODUCT. INCLUDING ANY IMPLIED OR STATUTORY WARRANTY OF MERCHANTABILITY OR FITNESS FOR PURPOSE. NEITHER COMPANY NOR ITS SUPPLIERS SHALL BE LIABLE, WHETHER IN CONTRACT OR IN TORT OR UNDER ANY OTHER LEGAL THEORY, FOR LOSS OF USE, REVENUE OR PROFIT, OR FOR COST OF CAPITOL OR OF SUBSTITUTED USE OR PERFORMANCE, OR FOR INCIDENTAL, INDIRECT, SPECIAL OR CONSEQUENTIAL DAMAGES, OR FOR ANY OTHER LOSS OR COST OF SIMILAR TYPE, OR FOR CLAIMS BY PURCHASER FOR DAMAGES OR PURCHASER'S CUSTOMERS.

The Company is not responsible for damage to products or injury to persons or property due to abuse, improper installation or storage, alteration or modification, use other than for which originally sold, or through operations above rated load, either intentionally or otherwise, of any product or part. Further the Company shall not under any circumstances, be liable for the fault, negligence, or wrongful acts of purchaser or Purchaser's employees, or Purchaser's other contractors or suppliers. If any Purchaser fails to comply with the stipulated conditions of operation, or fails to permit the Company to inspect defects before repairing, or alters the product in any way, or fails to maintain the equipment in as-is shipped condition in storage, the Company's responsibility shall terminate.

2. **CHANGE OF PRICES/ORDERS** - A minimum charge of \$50.00 shall be charged on any order. Any order changes requested by Purchaser after order has been entered shall incur a minimum charge of \$50.00. In addition, charges will be made to cover the cost of re-engineering, drafting, parts scrapped because of the change and Price Book modifications caused by the change.

In the event of a price change, prices on the unshipped portions of all orders are subject to the price in effect at the time of shipment. Exceptions to these terms are stated in the Price Book Conditions of Sale.

3. **SHIPPING AND STORAGE** - Products shall be shipped f.o.b. point of shipment, no freight allowed. Shipping methods or carriers are at the discretion of the Company. Date of shipment shall be the date shown on bill of lading for receipt of shipment by initial carrier. The Company is not responsible for any damage incurred during delivery by common carrier. Purchaser shall file claim against the carrier. All storage claims must be filled within (10) days of the receipt of shipment.

Special storage preparation is recommended for products that will not be put in service within ninety days of shipment. Charges for this service are specified in the catalog Conditions of Sale. Failure to request such storage preparation will void the warranty on products stored over ninety days.

4. **TERMS OF PAYMENT** - Unless otherwise arranged, terms of payment are cash in full within thirty days of invoice date. Payment will be in U.S. Dollars. On late payments, in the contract price shall, without prejudice to the Company's right to immediate payment, be increased 1½% per month on the unpaid balance, but not to exceed the maximum permitted by law.

If at anytime in the Company's judgment the Purchaser may be or may become unable or unwilling to meet the terms specified, the Company may require satisfactory assurances, full or partial payment, as a condition to commencing or continuing manufacture of making shipment, and may, if shipment has been made, recover the product(s) from the carrier, pending receipt of such assurances.

5. **CANCELLATION** - Cancellation of this order may be made by written notice to Company provided that payment of cost incurred by the Company, to the time such notice is received, is made by Purchaser.

6. **PATENTS** - The Company shall defend any suit or proceeding brought against the Purchaser so far as based on a claim that any product, or any part thereof, furnished under this contract constitutes an infringement of any patent of the United States. If notified promptly in writing and given authority, information and assistance (at the Company's expense) for the defense of same, and the Company shall pay all damages and cost awarded therein against the Purchaser. In case said product, or any part thereof, is in such suit held to constitute infringement and the use of said product or part is enjoined, the Company shall, at its own expense, either procure for the Purchaser the right to continue using said product or part; or replace same with non-infringing product; or modify it so that it becomes non-infringing or remove said product and refund the purchase price and the transportation and installation costs thereof. The forgoing states the entire liability of the company for patent infringement by said product or any part thereof.

7. **DELIVERY/DELAY** - Shipping dates are estimates and are based upon prompt receipt of all necessary information. The Company shall not be liable for delay due to causes beyond its reasonable control, including but not limited to acts of God, acts of failure to act of government, acts or regulations of the federal or state governments, acts or omissions of the Purchaser, acts of civil or military authorities, priorities, fires, strikes, blizzards, earthquakes, tornadoes, floods, epidemics, quarantine restrictions, war, riots, delays in transportation, car, shortages, and inability, due to reasons beyond its reasonable control, to obtain necessary labor, material, or manufacturing facilities. In the event of any such delay, the date of the delivery shall be extended for a period equal to the time lost by reason of the delay and its consequences. Delay caused by Purchaser's request or amendment or addition to order shall cause the Company to apply those prices and price policy clauses in effect as of the date said order is finally released.

8. **TAXES** - The Company's prices do not include sales, use, excise, license or similar taxes. Consequently, in addition to the price specified herein, the amount of any present or future sales, use, excise, license or other similar tax applicable to the sale of the equipment, parts or accessories hereunder shall be paid by the Purchaser, or in lieu thereof the Purchaser shall provide the Company with a tax exemption certificate acceptable to the taxing authorities.

9. **TITLE** - The title and right of possession of the equipment, parts or accessories sold hereunder shall remain with the Company and such equipment shall remain personal property until all payments hereunder (including deferred payments, whether evidenced by notes or otherwise) shall have been made in full in cash and the Purchaser agrees to do all acts necessary to protect and maintain such right and title in the Company.

10. **WAIVER/INDEMNITY** - No waiver or modification of any of these terms and conditions of sale shall be valid unless it is made in writing and signed by both Company and Purchaser. Failure by the Company to enforce any right possessed under the foregoing terms and conditions shall not constitute a waiver thereof or establish a custom. Purchaser shall protect, defend, indemnify and hold harmless the Company for all loss, cost or expense arising out of any breach of these Conditions of Sale or negligent act of the Purchaser.

11. **LAWS/LIMITATIONS** - The Company will comply with all applicable Federal, State and local laws, and hereby represents that any goods to be delivered hereunder will be produced in compliance with the requirements of the Fair Labor Standards Act of 1938, as amended. The laws of the State of California shall govern the validity, interpretation and enforcement of this contract. No action, regardless of form, arising out of the sale of use of the products which are the subject of this contract may be brought by either party more than one year after the cause of action has accrued, except on action for nonpayment of the purchase price brought within one year after the last payment due date.

Prices or Data Subject to Change Without Notice



STERLING
ELECTRIC, INC.

7997 Allison Avenue, Indianapolis, Indiana 46268
Phone (800) 866-7973 | Facsimile (800) 474-0543
www.sterlingelectric.com