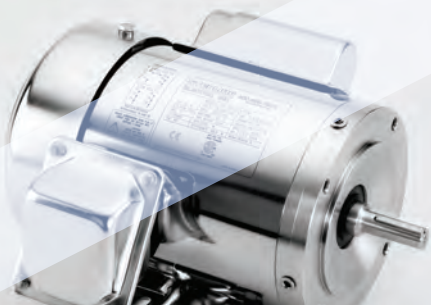
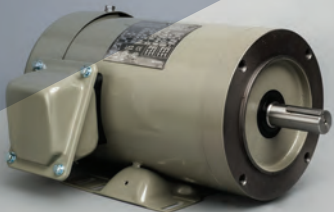
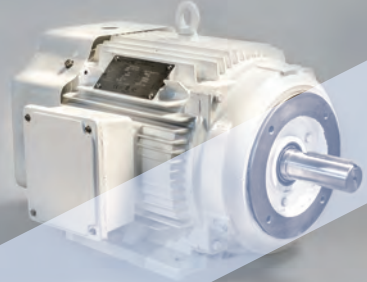
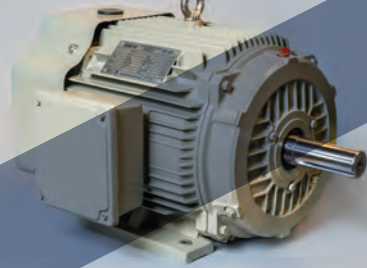


STERLING
ELECTRIC, INC.

STOCK ELECTRICAL PRODUCTS

SPECIFICATIONS AND PRICING

January 2023



STANDARD STEEL FRAME AND CAST IRON MOTORS

Our standard Rolled Steel and Cast Iron Frame motors provide superior quality and unique design features compared to competing brands in the marketplace. We provide a full product offering in Cast Iron construction from 56 through 444T Frame designs to meet the harsh application requirements found in today's industry.

Our standard product provides the following outstanding features:

- 3 Phase, 60 Hz., 230/460 Volt or 575 Volt
- Stainless Steel Nameplate
- Cast Iron End Brackets on Rolled Steel or Cast Iron Frames
- Diagonally Split Conduit Box
- Inverter Rated per NEMA MG1-Part 31.4.4.2
- CE, CSA listed and energy efficiency verified to US and Canadian Standards, meets IE3 efficiency



STERLI-SEAL® SMOOTH BODY WASHDOWN STEEL FRAME MOTORS

Our Sterli-Seal Washdown products are designed to withstand the challenges of today's Process Industry where high-pressure washing is required for sanitary requirements.

This product provides a Smooth Rolled Steel Constructed Frame to eliminate buildup of material and to allow ease in cleanup in a sanitary application.

Sterli-Seal Smooth Body Washdown Motors offer the following outstanding features:

- 3 Phase, 60 Hz., 208-230/460 Volt or 575 Volt
- Stainless Steel Etched Nameplate
- 50 Hz. Ratings available - refer to factory for details
- Class F Insulation with a 1.15 Service Factor
- Inverter Rated per NEMA MG1-Part 31.4.4.2
- Cast Iron End Brackets with drain holes in four quadrants
- Smooth Body Steel Frame
- Diagonally Split and Gasketed Stamped Steel Conduit Box Rotatable in 90 degree increments
- CE, CSA listed and energy efficiency verified to US and Canadian Standards, meets IE3 efficiency
- Pre-lubricated (Sealed) oversized bearings
- Internally locked drive end bearing
- Lip seals on drive end and opposite drive end brackets
- Base mounted units designed with six mounting holes to provide flexibility for mounting of NEMA 56, 140, 180 and 210 frame sizes



STERLI-SEAL® ALL STAINLESS STEEL INVERTER RATED MOTORS

Our Sterli-Seal® Stainless Steel motors are designed to provide superior performance in sanitary applications.

Our STANDARD product provides the following outstanding features:

- 3 Phase, 60 Hz., 208-230/460 Volt or 575 Volt
- Etched Nameplate
- 50 Hz. Ratings available - refer to factory for details
- Class F Insulation with a 1.15 Service Factor
- Inverter Rated per NEMA MG1-Part 31.4.4.2
- Cast 304 Stainless Steel End Brackets with drain holes in four quadrants
- 304 Stainless Steel Frame
- Diagonally Split and Gasketed 304 Stainless Steel Conduit Box Rotatable in 90 degree increments
- CE, CSA listed and energy efficiency verified to US and Canadian Standards, meets IE3 efficiency
- Pre-lubricated (Sealed) oversized bearings
- Internally locked drive end bearing
- Lip seals on drive end and opposite drive end brackets
- Base mounted units designed with six mounting holes to provide flexibility for mounting of NEMA 56, 140, 180 and 210 frame sizes



Sterling Electric produces a full range of electric motors to meet the most demanding applications found in today's industry. From standard duty applications to the harsh environments of the chemical industry or the washdown requirements of the food processing industry, Sterling Electric has the solution.

This Stock Product Catalog provides a full selection of motors that meet the PREMIUM EFFICIENCY Standards as outlined in the Department of Energy Title 10 Part 431 Subpart B

For further information regarding Current Efficiency Regulations please refer to Title 10 of the Code of Federal Regulations Part 431 (10 CFR Part 431), which is available at www.gpoaccess.gov

Premium Efficient motors continue to improve our dependence on oil and other natural resources and allows us energy savings in the future. As we move forward, additional changes will occur with motors that will be required to meet New Department of Energy regulations. Sterling Electric will continue to improve our products to meet or exceed the energy laws and insure our customers the highest quality and energy cost savings in the years ahead.

NEW in this Publication

Our Unique Universal Picker Motor that provides both NEMA and IEC mountings by use of add on Kits.



Prewired Single Voltage Encapsulated Corded Stainless Steel Motors.



Sterli-Seal Xtreme
Encapsulated Stainless Motor



Table of Contents

	Page
Product Specifications	2 - 3
<u>Foot Mounted Motors</u>	
Totally Enclosed Fan Cooled	4
<u>C-Face Foot Mounted Motors</u>	
<u>Three Phase</u>	
Totally Enclosed Non-Ventilated	5 - 6
Totally Enclosed Fan Cooled	5 - 6
Sterli-Seal® Washdown Duty	9
Sterli-Seal® Encapsulated Washdown Duty	11
Sterli-Seal® Stainless Steel Washdown	12
Sterli-Seal® Stainless Steel Encapsulated	16
With 10 Ft. Cord	18
Sterli-Seal® Stainless Steel Xtreme Duty	21
Sterli-Seal® Stainless Steel Xtreme Duty With 10 Ft. Cord	22
<u>Single Phase Motors</u>	
Totally Enclosed Fan Cooled	8
Sterli-Seal® Washdown Duty	8
Sterli-Seal® Stainless Steel Washdown	8
<u>C-Face Footless Motors</u>	
<u>Three Phase</u>	
Totally Enclosed Non-Ventilated	6
Totally Enclosed Fan Cooled	6
Sterli-Seal® Washdown Duty	10
Sterli-Seal® Encapsulated Washdown Duty	11
Sterli-Seal® Stainless Steel Washdown	14
Sterli-Seal® Stainless Steel Encapsulated	16
Sterli-Seal® Stainless Steel Encapsulated With 10 Ft. Cord	18
Sterli-Seal® Stainless Steel Xtreme Duty	21
Sterli-Seal® Stainless Steel Xtreme Duty With 10 Ft. Cord	22
<u>Brakemotors</u>	
<u>Close Coupled Pump Mount</u>	
Sterli-Seal® Stainless Steel Washdown	14
<u>Inverter Duty Motors</u>	
Sterli-Seal® Washdown Duty	10
Sterli-Seal® Stainless Steel Washdown	13
Sterli-Seal® Stainless Steel Encapsulated	15
With 10 Ft. Cord	19
Sterli-Seal® Stainless Steel Xtreme Duty	21
Sterli-Seal® Stainless Steel Xtreme Duty With 10 Ft. Cord	23
<u>Universal Picker Motors</u>	
<u>Engineering Data Index</u>	
26	

Complete Product Specifications with Data Sheet, 3D (Step File), AutoCad or PDF File can be obtained from www.sterlingelectric.com

PRODUCT SPECIFICATIONS

FRACTIONAL HORSEPOWER - FRAME 56



Certifications:	All	CE, CSA, NRTL/C
Insulation:	All	- Class F (Inverter Rated per NEMA MG1 Part 31.4.4.2)
Service Factor:	All	- 1.15
Main Frame:	Rolled Steel Style Cast Fe Max Style Sterli-Seal® Stainless Style Sterli-Seal® Smooth Body Style	- Rolled Steel (smooth body) - Cast Iron (smooth body) - 304 Stainless steel (smooth body) - Rolled Steel (smooth body)
End Brackets:	Rolled Steel Style Cast Fe Max Style Sterli-Seal® Stainless Style Sterli-Seal® Smooth Body Style	- Cast Iron - Cast iron - 304 Stainless steel (smooth body) - Cast Iron (smooth body)
Conduit Box:	Rolled Steel Style Cast Fe Max Style Sterli-Seal® Stainless Style Sterli-Seal® Smooth Body Style	- Stamped Steel - Cast iron - 304 Stainless steel (smooth body) - Stamped Steel
Fan Guard:	Rolled Steel Style Cast Fe Max Style Sterli-Seal® Stainless Style Sterli-Seal® Smooth Body Style	- Stamped steel - Stamped steel - 304 Stainless steel - Stamped Steel
Shaft:	Rolled Steel & Cast Fe Max Style Sterli-Seal® Stainless Style Sterli-Seal® Smooth Body Style	- Keyed carbon steel - 304 Keyed stainless steel - 304 Keyed stainless steel
Bearings:	All Styles	- Prelubricated ball bearings
Connections:	All Styles	- 9 leads, suitable for across-the-line starting Method

PRODUCT SPECIFICATIONS

INTEGRAL HORSEPOWER - FRAMES 143T THRU 405T

Certificatons:	All Styles	CE, CSA, CSE, NRTL/C UL Recognized EEV-CC048A
Insulation:	TEFC Style (Cast Iron) Steel Frame Smooth Body	- Class F - Class F (inverter Rated per NEMA MG1 Part 31.4.4.2
Service Factor:	All Styles	- 1.15
Main Frame:	TEFC Style Sterli-Seal® (Washdown) Sterli-Seal® Stainless Style	- Steel Frame (smooth body) 56-215T Frame Cast Iron (Ribbed Body) 254T & Larger - Steel Frame (smooth body) 56-215T Frame Cast Iron (Ribbed Body) 254T & Larger - 304 Stainless steel (smooth body)
End Brackets:	TEFC Style Sterli-Seal® (Washdown) Sterli-Seal® Stainless Style	- Cast iron - Cast iron with double lip seals on stock motors - Modified motors supplied with v-ring slinger - 304 Stainless steel
Conduit Box:	TEFC Style Sterli-Seal® (Washdown) Sterli-Seal® Stainless Style	- Stamped steel as standard. - Stamped Steel (Smooth Body) - Cast Iron (Ribbed body) 254T Frame & Larger - 304 Stainless steel
Fan Guard:	TEFC Style Sterli-Seal® (Washdown) Sterli-Seal® Stainless Style	- Stamped steel as standard. - Stamped Steel - 304 Stainless steel
Shaft:	TEFC Style Sterli-Seal® (Washdown) Sterli-Seal® Stainless Style	- Keyed carbon steel - Keyed (one piece) 416 stainless steel on 3600 Rpm stock motors or 304 on 1800 Rpm and slower. - Modified motors supplied with carbon steel - 304 Stainless steel
Bearings:	TEFC Style Sterli-Seal® (Washdown) Style Sterli-Seal® Stainless Style	- Frames 56 through 286T - 3600, 1800, 1200 and 900 RPM motors have oversized prelubricated ball bearings - Frames 324T and larger have oversized regreasable ball bearings with alemite grease fittings, as standard - Oversized sealed ball bearings - Oversized sealed ball bearings
Connections:	All Styles	-All Steel Frames are 9 leads suitable for Across-the-line starting. - Frames 254T and larger Cast Iron have 12 leads, suitable for across-the-line, Y-Delta and part winding starting methods. Reference connection diagrams - pages 29 & 30

PREMIUM EFFICIENT MOTORS

FOOT MOUNTED 3 Phase, 60 Hz, 230/460 Volt Totally Enclosed Fan Cooled Enclosure

HP	RPM	Frame	F/L Amps	Nominal Efficiency	Model Number	List Price
.33	1800	56	1.36/.68	70.0 %	NBY034FFA ◊	\$ 376
	3600	56	1.50/.75	73.0 %	NBY052FFA ◊	\$ 328
.50	1800	56	1.90/.95	74.5 %	NBY054FFA ◊	\$ 400
	3600	56	2.50/1.25	68.0 %	NBY072FFA ◊	\$ 360
.75	1800	56	2.70/1.35	77.0 %	NBY074FFA ◊	\$ 426
	3600	56	3.00/1.50	77.0 %	NP0012FFA	\$ 483
1.0	1800	56	2.80/1.40	85.5 %	NP0014FFA	\$ 503
	1800	143T	2.80/1.40	85.5 %	DP0014FFA	\$ 524
	1200	145T	3.40/1.70	82.5 %	DP0016FFA	\$ 532
	3600	56	3.80/1.90	84.0 %	NPY152FFA	\$ 484
1.5	3600	143T	3.80/1.90	84.0 %	DPY152FFA	\$ 520
	1800	56	4.20/2.10	86.5 %	NPY154FFA	\$ 531
	1800	145T	4.20/2.10	86.5 %	DPY154FFA	\$ 536
	1200	182T	5.10/2.55	87.5 %	DPY156FFA	\$ 652
	3600	56	5.20/2.60	85.5 %	NP0022FFA	\$ 568
2.0	3600	145T	5.20/2.60	85.5 %	DP0022FFA	\$ 568
	1800	56	5.40/2.70	86.5 %	NP0024FFA	\$ 565
	1800	145T	5.40/2.70	86.5 %	DP0024FFA	\$ 565
	1200	184T	6.60/3.30	88.5 %	DP0026FFA	\$ 684
	3600	182T	7.00/3.50	86.5 %	DP0032FFA	\$ 630
3.0	1800	182T	8.00/4.00	89.5 %	DP0034FFA	\$ 664
	1200	213T	9.20/4.60	89.5 %	DP0036FFA	\$ 904
	3600	184T	11.4/5.7	88.5 %	DP0052FFA	\$ 700
5.0	1800	184T	12.8/6.4	89.5 %	DP0054FFA	\$ 765
	1200	215T	14.8/7.4	89.5 %	DP0056FFA	\$ 1280
	3600	213T	17.2/8.6	89.5 %	DPY752FFA	\$ 1048
7.5	1800	213T	18.6/9.3	91.7 %	DPY754FFA	\$ 975
	3600	215T	22.4/11.2	90.2 %	DP0102FFA	\$ 1064
10	1800	215T	25.0/12.5	91.7 %	DP0104FFA	\$ 1188
	3600	254T	34.8/17.4	91.0 %	TH0152FFA	\$ 2072
15	1800	254T	35.8/17.9	93.0 %	TH0154FFA	\$ 2000
	3600	256T	46.4/23.2	91.0 %	TH0202FFA	\$ 2656
20	1800	256T	47.4/23.7	93.0 %	TH0204FFA	\$ 2526
	3600	284TS	56.8/28.4	91.7 %	TH0252FFA	\$ 3286
25	1800	284T	47.4/23.7	93.6 %	TH0254FFA	\$ 3080
	3600	286TS	68.2/34.1	91.7 %	TH0302FFA	\$ 3984
30	1800	286T	69.0/35.0	94.1 %	TH0304FFA	\$ 3720
	3600	324TS	90.2/45.1	92.4 %	TH0402FFA	\$ 5282
40	1800	324T	90.6/45.3	94.1 %	TH0404FFA	\$ 4950
	3600	326TS	112.0/56.0	93.0 %	TH0502FFA	\$ 7072
50	1800	326TC	112.6/56.3	94.5 %	TH0504FFA	\$ 6372
	3600	364TS	133.4/66.7	93.6 %	TH0602FFA	\$ 8852
60	1800	364T	136.0/68.0	95.0 %	TH0604FFA	\$ 8708
	3600	365TS	166.8/83.4	93.6 %	TH0752FFA	\$11272
75	1800	365T	169.4/84.7	95.4 %	TH0754FFA	\$10392
	3600	405TS	228/114	94.5 %	TH1002FFA	\$16500
100	1800	405TS	226/113	95.4 %	TH1004FFA	\$12876

◊ Not Applicable to Current Energy Regulations

PREMIUM EFFICIENT MOTORS

C-FACE FOOT MOUNTED 3 Phase, 60 Hz, 208-230/460 Volts Totally Enclosed Fan Cooled Enclosure

HP	RPM	Frame	F/L Amps	Nominal Eff.	Model Number	List Price
.50	1800	56C	1.70/1.85	80.0%	NBY054NHA ⚡◇	\$ 428
.75	1800	56C	2.70/1.35	77.0%	NBY074FHA ◇	\$ 454
1.0	3600	56C	2.90/1.45	77.0 %	NP0012FHA	\$ 515
	1800	56C	2.80/1.40	85.5 %	NP0014FHA	\$ 552
	1800	143TC	2.80/1.45	85.5 %	DP0014FHA	\$ 621
1.5	3600	56C	3.80/1.90	84.0 %	NPY152FHA	\$ 568
	3600	145TC	3.80/1.90	84.0 %	DPY152FHA	\$ 651
	1800	56C	4.20/1.10	86.5 %	NPY154FHA	\$ 592
	1800	145TC	4.20/1.10	86.5 %	DPY154FHA	\$ 639
2.0	3600	56C	5.20/2.60	85.5 %	NP0022FHA	\$ 662
	3600	145TC	5.20/2.60	85.5 %	DP0022FHA	\$ 718
	1800	56C	5.40/2.70	86.5 %	NP0024FHA	\$ 683
	1800	145TC	5.40/2.70	86.5 %	DP0024FHA	\$ 702
3.0	3600	182TC	7.00/3.50	86.5 %	DP0032FHA	\$ 899
	1800	182TC	8.00/4.00	89.5 %	DP0034FHA	\$ 805
5.0	3600	184TC	11.4/5.7	88.5 %	DP0052FHA	\$ 1024
	1800	184TC	12.8/6.4	89.5 %	DP0054FHA	\$ 915
7.5	3600	213TC	17.2/8.6	89.5 %	DPY752FHA	\$ 1318
	1800	213TC	18.6/9.3	91.7 %	DPY754FHA	\$ 1171
10	3600	215TC	22.4/11.2	90.2 %	DP0102FHA	\$ 1555
	1800	215TC	25.0/12.5	91.7 %	DP0104FHA	\$ 1403
15	3600	254TC	34.8/17.4	91.0 %	TH0152FHA	\$ 2420
	1800	254TC	35.8/17.9	93.0 %	TH0154FHA	\$ 2440
20	3600	256TC	46.4/23.2	91.0 %	TH0202FHA	\$ 3048
	1800	256TC	47.4/23.7	93.0 %	TH0204FHA	\$ 2912
25	3600	284TSC	56.8/28.4	91.7 %	TH0252FHA	\$ 3624
	1800	284TC	57.6/28.8	93.6 %	TH0254FHA	\$ 3452
30	3600	286TSC	68.2/34.1	91.7 %	TH0302FHA	\$ 4248
	1800	286TC	69.0/34.5	94.1 %	TH0304FHA	\$ 3994
40	3600	324TSC	90.2/45.1	92.4 %	TH0402FHA	\$ 5704
	1800	324TC	90.6/45.3	94.1 %	TH0404FHA	\$ 5704
50	3600	326TSC	112.0/56.0	93.0 %	TH0502FHA	\$ 7932
	1800	326TC	112.6/56.3	94.5 %	TH0504FHA	\$ 7232
60	3600	364TSC	133.4/66.7	93.6 %	TH0602FHA	\$ 9766
	1800	364TC	136.0/68.0	95.0 %	TH0604FHA	\$ 9622
75	3600	365TSC	166.8/83.4	93.6 %	TH0752FHA	\$12952
	1800	365TC	169.4/84.7	95.4 %	TH0754FHA	\$11306
100	1800	405TC	226/113	95.4 %	TH1004FHA	\$13996

◇ Not Applicable to Current Energy Regulations

⚡ Totally Enclosed Non-Ventilated

PREMIUM EFFICIENT MOTORS

C-FACE FOOTLESS

3 Phase, 60 Hz, 208-230/460 Volts

Totally Enclosed Fan Cooled Enclosure

HP	RPM	Frame	F/L Amps	Nominal Eff.	Model Number	List Price
.33	1800	56C	1.36/68	70.0 %	NBY034FCA ◊	\$ 376
	1800	56C	1.36/68	70.0 %	RBY034FCA ◊	\$ 436
.50	1800	56C	1.90/95	74.5 %	NBY054FCA ◊	\$ 416
	1800	56C	1.90/95	74.5 %	RBY054FCA ◊	\$ 478
.75	1800	56C	2.70/1.35	77.0 %	NBY074FCA	\$ 454
	1800	56C	2.70/1.35	77.0 %	RBY074FCA ±	\$ 520
1.0	1800	56C	2.80/1.40	85.5 %	NP0014FCA	\$ 558
	1800	143TC	2.80/1.40	85.5 %	DP0014FCA	\$ 568
1.5	1800	56C	4.20/2.10	86.5 %	NPY154FCA	\$ 585
	1800	145TC	4.20/2.10	86.5 %	DPY154FCA	\$ 600
2.0	1800	56C	5.40/2.70	86.5 %	NP0024FCA	\$ 638
	1800	145TC	5.40/2.70	86.5 %	DP0024FCA	\$ 646
3.0	1800	182TC	8.00/4.00	89.5 %	DP0034FCA	\$ 718
5.0	1800	184TC	12.8/6.4	89.5 %	DP0054FCA	\$ 821
7.5	1800	213TC	18.6/9.3	91.7 %	DPY754FCA	\$1109
10	1800	215TC	25.0/12.5	91.7 %	DP0104FCA	\$1435
15	1800	254TC	35.8/17.9	93.0 %	TH0154FCA	\$2286
20	1800	256TC	47.4/23.7	93.0 %	TH0204FCA	\$2684
25	1800	284TC	57.6/28.8	93.6 %	TH0254FCA	\$3519
30	1800	286TC	69.0/34.5	94.1 %	TH0304FCA	\$4059

◊ Not Applicable to Current Energy Regulations

FOOT MOUNTED BRAKEMOTORS

3 Phase, 60 Hz, 230/460 Volt

Totally Enclosed Fan Cooled Enclosure

HP	RPM	Frame	F/L Amps	Nominal Eff.	Brake Rating	Model Number	List Price
1.0	1800	B143T	2.80/1.40	85.5 %	3 Ft.Lb.	DP0014FSA003S	\$1266
	1800	B143T	2.80/1.40	85.5 %	6 Ft.Lb.	DP0014FSA006S	\$1284
1.5	1800	B145T	4.20/2.10	86.5 %	6 Ft.Lb.	DPY154FSA006S	\$1311
	1800	B145T	4.20/2.10	86.5 %	10 Ft.Lb.	DPY154FSA010S	\$1387
2.0	1800	B145T	5.40/2.70	86.5 %	6 Ft.Lb.	DP0024FSA006S	\$1366
	1800	B145T	5.40/2.70	86.5 %	10 Ft.Lb.	DP0024FSA010S	\$1403
3.0	1800	B182T	8.00/4.00	89.5 %	10 Ft.Lb.	DP0034FSA010S	\$2079
	1800	B182T	8.00/4.00	89.5 %	15 Ft.Lb.	DP0034FSA015S	\$2111
5.0	1800	B184T	12.8/6.4	89.5 %	15 Ft.Lb.	DP0054FSA015S	\$2252
	1800	B184T	12.8/6.4	89.5 %	25 Ft.Lb.	DP0054FSA025S	\$2816
7.5	1800	B213T	18.6/9.3	91.7 %	25 Ft.Lb.	DPY754FSA025S	\$3272
	1800	B213T	18.6/9.3	91.7 %	35 Ft.Lb.	DPY754FSA035S	\$3472
10	1800	B215T	25.0/12.5	91.7 %	35 Ft.Lb.	DP0104FSA035S	\$3852
	1800	B215T	25.0/12.5	91.7 %	50 Ft.Lb.	DP0104FSA050S	\$4986
15	1800	B254T	35.8/17.9	93.0 %	50 Ft.Lb.	TH0154FSA050S	\$5305
	1800	B254T	47.4/23.7	93.0 %	75 Ft.Lb.	TH0154FSA075S	\$5671
20	1800	B256T	57.6/28.8	93.6 %	75 Ft.Lb.	TH0204FSA075S	\$5831
	1800	B256T	69.0/34.5	94.1 %	105 Ft.Lb.	TH0204FSA105S	\$6197

PREMIUM EFFICIENT MOTORS

C-FACE FOOTLESS BRAKEMOTORS

3 Phase, 60 Hz, 230/460 Volt

Totally Enclosed Fan Cooled Enclosure

HP	RPM	Frame	F/L Amps	Nominal Eff.	Brake Rating	Model Number	List Price
.33	1800	B56C	1.36/.68	70.0 %	3 Ft.Lb.	NBY034FTA003S ◇	\$ 918
.50	1800	B56C	1.90/.95	74.5 %	3 Ft.Lb.	NBY054FSA003S ◇	\$ 958
.75	1800	B56C	2.70/1.35	77.0 %	3 Ft.Lb.	NBY074FTA003S ◇	\$1040
1.0	1800	B56C	2.80/1.40	85.5%	3 Ft.Lb.	NP0014FTA003S	\$1102
	1800	B56C	2.80/1.40	85.5 %	6 Ft.Lb.	NP0014FTA006S	\$1124
	1800	B143TC	2.80/1.40	85.5%	3 Ft.Lb.	DP0014FTA003S	\$1322
	1800	B143TC	2.80/1.40	85.5 %	6 Ft.Lb.	DP0014FTA006S	\$1344
1.5	1800	B56C	4.50/2.25	80.5 %	6 Ft.Lb.	NPY154FTA006S	\$1268
	1800	B56C	4.20/2.10	86.5 %	10 Ft.Lb.	NPY154FTA010S	\$1332
	1800	B145TC	4.50/2.25	80.5 %	6 Ft.Lb.	DPY154FTA006S	\$1383
	1800	B145TC	4.20/2.10	86.5 %	10 Ft.Lb.	DPY154FTA010S	\$1447
2.0	1800	B56C	4.20/2.10	86.5 %	6 Ft.lb.	NP0024FTA006S	\$1394
	1800	B56C	4.20/2.10	86.5 %	10 Ft.Lb	NP0024FTA010S	\$1467
	1800	B145TC	4.20/2.10	86.5 %	6 Ft.Lb.	DP0024FTA006S	\$1394
	1800	B145TC	4.20/2.10	86.5 %	10 Ft.Lb.	DP0024FTA010S	\$1467
3.0	1800	B182TC	8.00/4.00	89.5 %	10 Ft.Lb.	DP0034FTA010S	\$2170
	1800	B182TC	8.00/4.00	89.5 %	15 Ft.Lb.	DP0034FTA015S	\$2215
5.0	1800	B184TC	12.8/6.4	89.5 %	15 Ft.Lb.	DP0054FTA015S	\$2336
	1800	B184TC	12.8/6.4	89.5 %	25 Ft.Lb.	DP0054FTA025S	\$2896
7.5	1800	B213TC	18.6/9.3	91.7 %	25 Ft.Lb.	DPY754FTA025S	\$3464
	1800	B213TC	18.6/9.3	91.7 %	35 Ft.Lb.	DPY754FTA035S	\$3656
10	1800	B215TC	25.0/12.5	91.7 %	35 Ft.Lb.	DP0104FTA035S	\$3953
	1800	B215TC	25.0/12.5	91.7 %	50 Ft. Lb.	DP0101FTA050S	\$5129

◇ Not Applicable to Current Energy Regulations

SINGLE PHASE MOTORS

1 Phase, 60 Hz, 115-208/230 Volts
Totally Enclosed Fan Cooled Enclosure

C-FACE FOOTLESS

HP	RPM	Frame	Design Construction	F/L Amps	Nominal Eff.	Model Number	List Price
.33	1800	56C	Rolled Steel	5.40/2.70	59.0 %	NBY034FCW	\$ 380
	1800	56C	Rolled Steel Washdown Duty	5.40/2.70	59.0 %	NBY034PCW	\$ 499
.50	1800	56C	Rolled Steel	8.40/4.20	65.0 %	NBY054FCW	\$ 440
	1800	56C	Rolled Steel Washdown Duty	8.40/4.20	65.0 %	NBY054PCW	\$ 531
.75	1800	56C	Rolled Steel	12.0/6.0	64.0 %	NBY074FCW	\$ 520
	1800	56C	Rolled Steel Washdown Duty	12.0/6.0	64.0 %	NBY074PCW	\$ 619
1.0	1800	56C	Rolled Steel	14.4/7.2	68.0 %	NB0014FCW	\$ 596
	1800	56C	Rolled Steel Washdown Duty	14.4/7.2	68.0 %	NB0014PCW	\$ 704

STERLI-SEAL® STAINLESS

HP	RPM	Frame	Mounting	F/L Amps	Nominal Eff.	Model Number	List Price
.50	1800	56	Footed	7.40/3.70	67.0 %	SBY054PFW	\$ 862
	1800	56C	C-Face Footed	7.40/3.70	67.0 %	SBY054PHW	\$ 868
	1800	56C	C-Face Footless	7.40/3.70	67.0 %	SBY054PCW	\$ 862
	1800	56C	Footed	11.2/5.6	67.0 %	SBY074PFW	\$ 912
.75	1800	56C	C-Face Footed	11.2/5.6	67.0 %	SBY074PHW	\$ 974
	1800	56C	C-Face Footless	11.2/5.6	67.0 %	SBY074PCW	\$ 974
	1800	56	Footed	15.4/7.7	70.5 %	SB0014PFW	\$ 936
1.0	1800	56C	C-Face Footed	15.4/7.7	70.5 %	SB0014PHW	\$ 996
	1800	56C	C-Face Footless	15.4/7.7	70.5 %	SB0014PCW	\$ 996

PREMIUM EFFICIENT MOTORS

STERLI-SEAL® (Washdown Duty)

3 Phase, 60 Hz, 230/460 Volt

Totally Enclosed Fan Cooled Enclosure

C-FACE FOOT MOUNTED

HP	RPM	Frame	F/L Amps	Nominal Eff.	Model Number	List Price
.50	3600	56C	1.50/.75	73.0 %	NBY052MHA*◇	\$ 526
	1800	56C	1.70/.85	80.0 %	NBY054MHA*◇	\$ 592
.75	3600	56C	2.20/1.10	74.0 %	NBY072MHA*◇	\$ 578
	1800	56C	2.20/1.10	81.5 %	NBY074MHA*◇	\$ 684
	3600	56C	2.90/1.45	77.0 %	NP0012PHA	\$ 745
1.0	1800	143TC	2.80/1.40	85.5 %	NP0014PHA	\$ 752
	1800	143TC	2.80/1.40	85.5 %	DP0014PHA	\$ 773
	3600	56C	3.80/1.90	84.0 %	NPY152PHA	\$ 810
1.5	3600	145TC	3.80/1.90	84.0 %	DPY152PHA	\$ 810
	1800	56C	4.20/2.10	86.5 %	NPY154PHA	\$ 799
	1800	145TC	4.20/2.10	86.5 %	DPY154PHA	\$ 804
	3600	56C	5.20/2.60	85.5 %	NP0022PHA	\$ 940
2.0	3600	145TC	5.20/2.60	85.5 %	DP0022PHA	\$ 953
	1800	56C	5.40/2.70	86.5 %	NP0024PHA	\$ 975
	1800	145TC	5.40/2.70	86.5 %	DP0024PHA	\$ 994
3.0	3600	182TC	7.00/3.50	86.5 %	DP0032PHA	\$1398
	1800	182TC	8.00/4.00	89.5 %	DP0034PHA	\$1307
5.0	3600	184TC	11.4/5.70	88.5 %	DP0052PHA	\$1529
	1800	184TC	12.8/6.40	89.5 %	DP0054PHA	\$1480
7.5	3600	213TC	17.2/8.60	89.5 %	DPY752PHA	\$2033
	1800	213TC	18.6/9.30	91.7 %	DPY754PHA	\$1875
10	3600	215TC	22.4/11.2	90.2 %	DP0102PHA	\$2415
	1800	215TC	25.0/12.5	91.7 %	DP0104PHA	\$2132
15	3600	254TC	34.8/17.4	91.0 %	TH0152PHA	\$4110
	1800	254TC	35.8/17.9	93.0 %	TH0154PHA	\$4046
20	3600	256TC	46.4/23.2	91.0 %	TH0202PHA	\$4720
	1800	256TC	47.4/23.7	93.0 %	TH0204PHA	\$4692
25	3600	284TSC	56.8/28.4	91.7 %	TH0252PHA	\$5900
	1800	284TC	57.6/28.8	93.6 %	TH0254PHA	\$5724
30	3600	286TSC	68.2/34.1	91.7 %	TH0302PHA	\$7306
	1800	286TC	69.0/34.5	94.1 %	TH0304PHA	\$6910
40	3600	324TSC	90.2/45.1	92.4 %	TH0402PHA	\$9811
	1800	324TC	90.6/45.3	94.1 %	TH0404PHA	\$9158
50	3600	326TSC	112.0/56.0	93.0 %	TH0502PHA	\$12810
	1800	326TC	112.6/56.3	94.5 %	TH0504PHA	\$11679
60	3600	364TSC	133.4/66.7	93.6 %	TH0602PHA	\$14014
	1800	364TC	136.0/68.0	95.0 %	TH0604PHA	\$13807
75	3600	365TSC	166.8/83.4	93.6 %	TH0752PHA	\$17938
	1800	365T	169.4/84.7	95.4 %	TH0754PHA	\$15659

◇ Not Applicable to Current Energy Regulations

* Totally Enclosed Non-Ventilated

PREMIUM EFFICIENT MOTORS

STERLI-SEAL® (Washdown Duty)

3 Phase, 60 Hz, 230/460 Volt
Totally Enclosed Fan Cooled Enclosure

C-FACE FOOTLESS

HP	RPM	Frame	F/L Amps	Nominal Eff.	Model Number	List Price
.33	1800	56C	1.20/.60	76.5 %	NBY034MCA*◇	\$ 496
.50	1800	56C	1.70/.85	80.0 %	NBY054MCA*◇	\$ 576
.75	1800	56C	2.20/1.1	81.5 %	NBY074MCA*◇	\$ 666
1.0	1800	143TC	2.80/1.4	85.5 %	NP0014PCA	\$ 788
	1800	143TC	2.80/1.4	85.5 %	DP0014PCA	\$ 824
1.5	1800	56C	4.20/2.1	86.5 %	NPY154PCA	\$ 847
	1800	145TC	4.20/2.1	86.5 %	DPY154PCA	\$ 853
2.0	1800	56C	5.40/2.7	86.5 %	NP0024PCA	\$ 952
	1800	145TC	5.40/2.7	86.5 %	DP0024PCA	\$ 971
3.0	1800	182TC	8.00/4.0	89.5 %	DP0034PCA	\$1274
5.0	1800	184TC	12.8/6.4	89.5 %	DP0054PCA	\$1444
7.5	1800	213TC	18.6/9.3	91.7 %	DPY754PCA	\$1833
10	1800	215TC	25/12.5	91.7 %	DP0104PCA	\$2079

◇ Not Applicable to Current Energy Regulations

* Totally Enclosed Non-Ventilated

STERLI-SEAL® (Washdown Duty)

3 Phase, 60 Hz, 230/460 Volt
INVERTER DUTY (10:1 Constant Torque 6-60 Hz. Operation)
Totally Enclosed Fan Cooled Enclosure

HP	RPM	Frame	F/L Amps	Nominal Eff.	Model Number	List Price
1	1800	143TC	2.70/1.35	85.5 %	DI0014PCI ◇	\$1591
1.5	1800	145TC	4.20.2.10	86.5 %	DIY154PCI ◇	\$1702
2.0	1800	145TC	5.40/2.70	86.5 %	DI0024PCI ◇	\$1792
3.0	1800	182TC	8.00/4.00	89.5 %	DI0034PCI ◇	\$1821
5.0	1800	184TC	12.8/6.40	89.5 %	DI0054PCI ◇	\$1952
7.5	1800	213TC	18.6/9.30	91.7 %	DIY754PCI ◇	\$2547
10	1800	215TC	25/12.50	91.7 %	DI0104PCI ◇	\$3017

◇ Not Applicable to Current Energy Regulations

* Totally Enclosed Non-Ventilated

PREMIUM EFFICIENT MOTORS

STERLI-SEAL® Encapsulated

3 Phase, 60 Hz, 208-230/460 Volts

Totally Enclosed Fan Cooled Enclosure

C-FACE FOOT MOUNTED

HP	RPM	Frame	F/L Amps	Nominal Eff.	Model Number	List Price
.33	1800	56C	1.36/.68	70.0 %	NBY034MHA-E [⊠] ◇	\$1109
.50	3600	56C	1.50/.75	73.0 %	NBY052MHA-E [⊠] ◇	\$1123
	1800	56C	1.70/.85	80.0 %	NBY054MHA-E [⊠] ◇	\$1189
.75	3600	56C	2.20/1.10	74.0 %	NBY072MHA-E [⊠] ◇	\$1175
	1800	56C	2.20/1.10	81.5 %	NBY074MHA-E [⊠] ◇	\$1281
1.0	3600	56C	2.90/1.45	77.0 %	NP0012PHA-E	\$1245
	1800	56C	2.80/1.40	85.5 %	NP0014PHA-E ±	\$1349
	1800	143TC	2.80/1.40	85.5 %	DP0014PHA-E	\$1370
1.5	3600	56C	3.80/1.90	84.0 %	NPY152PHA-E	\$1396
	3600	143TC	3.80/1.90	84.0 %	DPY152PHA-E	\$1407
	1800	56C	4.20/2.10	86.5 %	NPY154PHA-E	\$1396
	1800	145TC	4.20/2.10	86.5 %	DPY154PHA-E	\$1401
2.0	3600	56C	5.20/2.60	85.5 %	NP0022PHA-E	\$1537
	3600	145TC	5.20/2.60	85.5 %	DP0022PHA-E	\$1550
	1800	56C	5.40/2.70	86.5 %	NP0024PHA-E	\$1572
	1800	145TC	5.40/2.70	86.5 %	DP0024PHA-E	\$1591
3.0	3600	182TC	7.00/3.50	86.5 %	DP0032PHA-E	\$1995
	1800	182TC	8.00/4.00	89.5 %	DP0034PHA-E	\$1904
5.0	3600	184TC	11.4/5.70	88.5 %	DP0052PHA-E	\$2126
	1800	184TC	12.8/6.40	89.5 %	DP0054PHA-E	\$2077
7.5	3600	213TC	17.2/8.60	89.5 %	DPY752PHA-E	\$2630
	1800	213TC	18.6/9.30	91.7 %	DPY754PHA-E	\$2472
10	3600	215TC	22.4/11.2	90.2 %	DP0102PHA-E	\$3012
	1800	215TC	25.0/12.5	91.7 %	DP0104PHA-E	\$2729

◇ Not Applicable to Current Energy Regulations

⊠ Totally Enclosed Non-Ventilated

C-FACE FOOTLESS

HP	RPM	Frame	F/L Amps	Nominal Eff.	Model Number	List Price
.33	1800	56C	1.20/.60	76.5 %	NBY034MCA-E [⊠] ◇	\$1093
.50	1800	56C	1.70/.85	80.0 %	NBY054MCA-E [⊠] ◇	\$1173
.75	1800	56C	2.20/1.10	81.5 %	NBY074MCA-E [⊠] ◇	\$1263
1.0	1800	143TC	2.80/1.40	85.5 %	NP0014PCA-E	\$1385
	1800	143TC	2.80/1.40	85.5 %	DP0014PCA-E	\$1421
1.5	1800	56C	4.20/2.10	86.5 %	NPY154PCA-E	\$1444
	1800	145TC	4.20/2.10	86.5 %	DPY154PCA-E	\$1450
2.0	1800	56C	5.40/2.70	86.5 %	NP0024PCA-E	\$1549
	1800	145TC	5.40/2.70	86.5 %	DP0024PCA-E	\$1568
3.0	1800	182TC	8.00/4.00	89.5 %	DP0034PCA-E	\$1871
5.0	1800	184TC	12.8/6.40	89.5 %	DP0054PCA-E	\$2041
7.5	1800	213TC	18.6/9.30	91.7 %	DPY754PCA-E	\$2430
10	1800	215TC	25.0/12.5	91.7 %	DP010PCA-E	\$2676

◇ Not Applicable to Current Energy Regulations

⊠ Totally Enclosed Non-Ventilated

PREMIUM EFFICIENT MOTORS

STERLI-SEAL® STAINLESS

3 Phase, 60 Hz, 208-230/460 Volts
C-FACE FOOT MOUNTED

HP	RPM	Frame	F/L Amps	Nominal Eff.	Model Number	List Price
.33	3600	56C	1.20/.60	62.0 %	SBY032MHA*◇	\$ 596
	1800	56C	1.16/.58	80.0 %	SBY034MHA*◇	\$ 668
.50	3600	56C	1.60/.80	70.0 %	SBY052MHA*◇	\$ 612
	1800	56C	1.70/.85	80.0 %	SBY054MHA*◇	\$ 688
.75	3600	56C	2.30/1.15	77.0 %	SBY072MHA*◇	\$ 672
	1800	56C	2.20/1.10	83.0 %	SBY074MHA*◇	\$ 796
	3600	56C	2.90/1.45	77.0 %	SP0012PHA	\$ 902
1.0	1800	56C	2.80/1.40	85.5 %	SP0014MHA	\$1078
	1800	56C	2.80/1.40	85.5 %	SP0014PHA	\$ 980
	1800	143TC	2.80/1.40	85.5 %	XP0014PHA	\$1026
	3600	56C	3.80/1.90	84.0 %	SPY152PHA	\$1028
1.5	3600	143TC	3.80/1.90	84.0 %	XPY152PHA	\$1079
	1800	56C	4.20/2.10	86.5 %	SPY154PHA	\$1022
	1800	145TC	4.20/2.10	86.5 %	XPY154PHA	\$ 1067
	3600	56C	5.20/2.60	85.5 %	SP0022PHA	\$1140
2.0	3600	145TC	5.20/2.60	85.5 %	XP0022PHA	\$1293
	1800	56C	5.40/2.70	86.5 %	SP0024PHA	\$1163
	1800	145TC	5.40/2.70	86.5 %	XP0024PHA	\$1267
	3600	145TC	7.40/3.70	86.5 %	XP0032PHA	\$1984
3.0	3600	182TC	7.00/3.50	86.5 %	XP0032PHA	\$1985
	1800	182TC	8.00/4.00	89.5 %	XP0034PHA	\$1904
5.0	3600	184TC	11.4/5.70	88.5 %	XP0052PHA	\$2293
	1800	184TC	12.8/6.40	89.5 %	XP0054PHA	\$2201
7.5	3600	213TC	17.2/8.60	89.5 %	XPY752PHA	\$3326
	1800	213TC	18.6/9.30	91.7 %	XPY754PHA	\$3205
10	3600	215TC	22.4/11.2	90.2 %	XP0102PHA	\$3633
	1800	215TC	25.0/12.5	91.7 %	XP0104PHA	\$3513
15	3600	254TC	34.8/17.4	91.0 %	XH0152PHA-1	\$5513
	1800	254TC	35.8/17.9	92.4 %	XH0154PHA-1	\$5426
20	3600	256TC	46.4/23.2	91.0 %	XH0202PHA-1	\$5909
	1800	256TC	47.4/23.7	93.0 %	XH0204PHA-1	\$5874
25	3600	284TSC	56.8/28.4	91.7 %	XH0252PHA-1	\$7098
	1800	284TC	57.6/28.8	93.6 %	XH0254PHA-1	\$6970
30	3600	286TSC	68.2/34.1	91.7 %	XH0302PHA-1	\$7342
	1800	286TC	69.0/34.5	93.6 %	XH0304PHA-1	\$7220

◇ Not Applicable to Current Energy Regulations

* Totally Enclosed Non-Ventilated

INVERTER DUTY MOTORS

STERLI-SEAL® Inverter Duty Stainless

3 Phase, 60 Hz, 230/460 Volt
Class "H" (Spike Resistant) Insulation per NEMA MG-1, Part 31
Class "H" Thermally Protected (10:1 Constant Torque)

Totally Enclosed Fan Cooled Enclosure

C-FACE FOOT MOUNTED

HP	RPM	Frame	F/L Amps	Nominal Eff.	Model Number	List Price
.50	1800	56C	1.50/.750	81.5 %	SIY054MHI ☼	\$ 1664
.75	1800	56C	2.34/1.17	80.5 %	SIY074PHI	\$ 1884
1.0	1800	56C	2.70/1.35	85.5 %	SI0014PHI	\$ 1956
	1800	140TC	2.70/1.35	85.5 %	XI0014PHI	\$ 1956
1.5	1800	56C	4.20/2.10	86.5 %	SIY154PHI	\$ 2096
	1800	140TC	4.20/2.10	86.5 %	XIY154PHI	\$ 2096
2.0	1800	56C	5.40/2.70	86.5 %	SI0024PHI	\$ 2236
	1800	140TC	5.40/2.70	86.5 %	XI0024PHI	\$ 2236
3.0	1800	180TC	8.00/4.00	89.5 %	XI0034PHI	\$ 2452
5.0	1800	180TC	12.8/6.40	89.5 %	XI0054PHI	\$ 2856
7.5	1800	210TC	18.6/9.30	91.7 %	XIY754PHI	\$ 4328
10	1800	210TC	25.0/12.5	91.7 %	XI0104PHI	\$ 4944

☼ Totally Enclosed Non Ventilated

C-FACE FOOTLESS

HP	RPM	Frame	F/L Amps	Nominal Eff.	Model Number	List Price
.50	1800	56C	1.50/.750	81.5 %	SIY054MCI ☼	\$ 1648
.75	1800	56C	2.34/1.17	80.5 %	SYI074PCI	\$ 1876
1.0	1800	56C	2.70/1.35	85.5 %	SI0014PCI	\$ 1948
	1800	140TC	2.70/1.35	85.5 %	XI0014PCI	\$ 1948
1.5	1800	56C	4.20/2.10	86.5 %	SIY154PCI	\$ 2080
	1800	140TC	4.20/2.10	86.5 %	XIY154PCI	\$ 2080
2.0	1800	56C	5.40/2.70	86.5 %	SI0024PCI	\$ 2220
	1800	140TC	5.40/2.70	86.5 %	XI0024PCI	\$ 2220
3.0	1800	180TC	8.00/4.00	89.5 %	XI0034PCI	\$ 2432
5.0	1800	180TC	12.8/6.40	89.5 %	XI0054PCI	\$ 2836
7.5	1800	210TC	18.6/9.30	91.7 %	XIY754PCI	\$ 4316
10	1800	210TC	25.0/12.5	91.7 %	XI0104PCI	\$ 4928

☼ Totally Enclosed Non Ventilated

PREMIUM EFFICIENT MOTORS

STERLI-SEAL® STAINLESS

3 Phase, 60 Hz, 208-230/460 Volts

Totally Enclosed Fan Cooled Enclosure

C-FACE FOOTLESS

HP	RPM	Frame	F/L Amps	Nominal Eff.	Model Number	List Price
.33	1800	56C	1.16/.58	80.0 %	SBY034MCA*◇	\$ 664
	1800	56C	1.70/.85	80.0 %	SBY054MCA*◇	\$ 682
.50	1800	56C	1.70/.85	80.0 %	SBY054PCA ◇	\$ 688
	1200	56C	1.60/.80	75.5 %	SBY056PCA ◇	\$ 786
	900	56C	1.90/.95	71.0 %	SBY058PCA ◇	\$ 830
.75	1800	56C	2.20/1.10	83.0 %	SBY074MCA*◇	\$ 792
	1200	56C	2.75/1.38	74.0 %	SBY076PCA ◇	\$ 896
1.0	1800	56C	2.80/1.40	85.5 %	SP0014MCA*	\$1074
	1800	56C	2.80/1.40	85.5 %	SP0014PCA	\$ 966
	1800	143TC	2.80/1.40	85.5 %	XP0014PCA	\$ 980
	1200	56C	3.40/1.70	82.5 %	SP0016PCA	\$1008
1.5	1800	56C	4.20/2.10	86.5 %	SPY154PCA	\$1004
	1800	145TC	4.20/2.10	86.5 %	XPY154PCA	\$1021
2.0	1800	56C	5.40/2.70	86.5 %	SP0024PCA	\$1150
	1800	145TC	5.40/2.70	86.5 %	XP0024PCA	\$1164
3.0	1800	182TC	8.00/4.00	89.5 %	XP0034PCA	\$1858
5.0	1800	184TC	12.8/6.40	89.5 %	XP0054PCA	\$2155
7.5	1800	213TC	18.6/9.30	91.7 %	XPY754PCA	\$3167
10	1800	215TC	25.0/12.5	91.7 %	XP0104PCA	\$3473

◇ Not Applicable to Current Energy Regulations

* Totally Enclosed Non-Ventilated

Close Coupled Pump Motors

HP	RPM	Frame	F/L Amps	Nominal Eff.	Model Number	List Price
1.0	1800	140JM	2.80/1.40	85.5 %	XP0014PJA	\$1104
1.5	3600	140JM	3.80/1.90	84.0 %	XPY152PJA	\$1164
	1800	140JM	4.20/2.10	86.5 %	XPY154PJA	\$1145
2.0	3600	140JM	5.20/2.60	85.5 %	XP0022PJA	\$1398
	1800	140JM	5.40/2.70	86.5 %	XP0024PJA	\$1371
3.0	3600	180JM	7.00/3.50	86.5 %	XP0032PJA	\$2259
	1800	180JM	8.00/4.00	89.5 %	XP0034PJA	\$2231
5.0	3600	180JM	11.4/5.70	88.5 %	XP0052PJA	\$2461
	1800	180JM	12.8/6.40	89.5 %	XP0054PJA	\$2364
7.5	3600	210JM	17.2/8.60	89.5 %	XPY752PJA	\$4071
	1800	210JM	18.6/9.30	91.7 %	XPY754PJA	\$3924
10	3600	210JM	22.4/11.2	90.2 %	XP0102PJA	\$4434
	1800	210JM	25.0/12.5	91.7 %	XP0104PJA	\$4292
15	3600	254JM	34.8/17.4	91.0 %	XH0152PJA-M	\$7138
	1800	254JM	35.8/17.9	92.4 %	XH0154PJA-M	\$7051
20	3600	256JM	46.4/23.2	91.0 %	XH0202PJA-M	\$7534
	1800	256JM	47.4/23.7	93.0 %	XH0204PJA-M	\$7499
25	3600	284JM	56.8/28.4	91.7 %	XH0252PJA-M	\$8723
	1800	284JM	57.6/28.8	93.6 %	XH0254PJA-M	\$8595
30	3600	286JM	68.2/34.1	91.7 %	XH0302PJA-M	\$8839
	1800	286JM	69.0/34.5	93.6 %	XH0304PJA-M	\$8717

INVERTER DUTY MOTORS

STERLI-SEAL® Inverter Duty Stainless Encapsulated

3 Phase, 60 Hz, 230/460 Volt
Class "H" (Spike Resistant) Insulation per NEMA MG-1, Part 31
Class "H" Thermally Protected (10:1 Constant Torque)

Totally Enclosed Fan Cooled Enclosure

C-FACE FOOT MOUNTED

HP	RPM	Frame	F/L Amps	Nominal Eff.	Model Number	List Price
.50	1800	56C	1.50/.750	81.5 %	SIY054MHI-E*	\$2261
.75	1800	56C	2.34/1.17	80.5 %	SIY074PHI-E	\$2481
1.0	1800	56C	2.70/1.35	85.5 %	SI0014PHI-E	\$2553
	1800	140TC	2.70/1.35	85.5 %	XI0014PHI-E	\$2553
1.5	1800	56C	4.20/2.10	86.5 %	SIY154PHI-E	\$2693
	1800	140TC	4.20/2.10	86.5 %	XIY154PHI-E	\$2693
2.0	1800	56C	5.40/2.70	86.5 %	SI0024PHI-E	\$2833
	1800	140TC	5.40/2.70	86.5 %	XI0024PHI-E	\$2833
3.0	1800	180TC	8.00/4.00	89.5 %	XI0034PHI-E	\$3049
5.0	1800	180TC	12.8/6.40	89.5 %	XI0054PHI-E	\$3453
7.5	1800	210TC	18.6/9.30	91.7 %	XIY754PHI-E	\$4925
10	1800	210TC	25.0/12.5	91.7 %	XI0104PHI-E	\$5525

* Totally Enclosed Non Ventilated

C-FACE FOOTLESS

HP	RPM	Frame	F/L Amps	Nominal Eff.	Model Number	List Price
.50	1800	56C	1.50/.750	81.5 %	SIY054MCI-E*	\$2245
.75	1800	56C	2.34/1.17	80.5 %	SYI074PCI-E	\$2473
1.0	1800	56C	2.70/1.35	85.5 %	SI0014PCI-E	\$2545
	1800	140TC	2.70/1.35	85.5 %	XI0014PCI-E	\$2545
1.5	1800	56C	4.20/2.10	86.5 %	SIY154PCI-E	\$2677
	1800	140TC	4.20/2.10	86.5 %	XIY154PCI-E	\$2677
2.0	1800	56C	5.40/2.70	86.5 %	SI0024PCI-E	\$2817
	1800	140TC	5.40/2.70	86.5 %	XI0024PCI-E	\$2817
3.0	1800	180TC	8.00/4.00	89.5 %	XI0034PCI-E	\$3029
5.0	1800	180TC	12.8//6.40	89.5 %	XI0054PCI-E	\$3433
7.5	1800	210TC	18.6/9.30	91.7 %	XIY754PCI-E	\$4913
10	1800	210TC	25.0/12.5	91.7 %	XI0104PCI-E	\$5525

* Totally Enclosed Non Ventilated

PREMIUM EFFICIENT MOTORS

STERLI-SEAL® STAINLESS Encapsulated

3 Phase, 60 Hz, 208-230/460 Volts

Totally Enclosed Fan Cooled Enclosure

C-FACE FOOT MOUNTED

HP	RPM	Frame	F/L Amps	Nominal Eff.	Model Number	List Price
.33	3600	56C	1.20/.60	62.0 %	SBY032MHA-E [⊠] ◇	\$1193
	1800	56C	1.16/.58	80.0 %	SBY034MHA-E [⊠] ◇	\$1265
.50	3600	56C	1.60/.80	70.0 %	SBY052MHA-E [⊠] ◇	\$1209
	1800	56C	1.70/.85	80.0 %	SBY054MHA-E [⊠] ◇	\$1285
.75	3600	56C	2.3/1.15	77.0 %	SBY072MHA-E [⊠] ◇	\$1269
	1800	56C	2.20/1.1	83.0 %	SBY074MHA-E [⊠] ◇	\$1393
1.0	3600	56C	2.90/1.45	77.0 %	SP0012PHA-E	\$1499
	1800	56C	2.80/1.40	85.5 %	SP0014MHA-E	\$1675
	1800	56C	2.80/1.40	85.5 %	SP0014PHA-E	\$1577
	1800	143TC	2.80/1.40	85.5 %	XP0014PHA-E	\$1623
1.5	3600	56C	3.80/1.90	84.0 %	SPY152PHA-E	\$1625
	3600	143TC	3.80/1.90	84.0 %	XPY152PHA-E	\$1676
	1800	56C	4.20/2.10	86.5 %	SPY154PHA-E	\$1619
	1800	145TC	4.20/2.10	86.5 %	XPY154PHA-E	\$1664
2.0	3600	56C	5.20/2.60	85.5 %	SP0022PHA-E	\$1737
	3600	145TC	5.20/2.60	85.5 %	XP0022PHA-E	\$1890
	1800	56C	5.40/2.70	86.5 %	SP0024PHA-E	\$1760
	1800	145TC	5.40/2.70	86.5 %	XP0024PHA-E	\$1864
3.0	3600	145TC	7.40/3.70	86.5 %	XP0032PHA-E	\$2581
	3600	182TC	7.00/3.50	86.5 %	XP0032PHA-E	\$2582
	1800	182TC	8.00/4.00	89.5 %	XP0034PHA-E	\$2501
5.0	3600	184TC	11.4/5.70	88.5 %	XP0052PHA-E	\$2890
	1800	184TC	12.8/6.40	89.5 %	XP0054PHA-E	\$2798
7.5	3600	213TC	17.2/8.60	89.5 %	XPY752PHA-E	\$3923
	1800	213TC	18.6/9.30	91.7 %	XPY754PHA-E	\$3802
10	3600	215TC	22.4/11.2	90.2 %	XP0102PHA-E	\$4230
	1800	215TC	25.0/12.5	91.7 %	XP0104PHA-E	\$4110

C-FACE FOOTLESS

HP	RPM	Frame	F/L Amps	Nominal Eff.	Model Number	List Price
.33	1800	56C	1.16/.58	80.0 %	SBY034MCA-E [⊠] ◇	\$1261
	1800	56C	1.70/.85	80.0 %	SBY054MCA-E [⊠] ◇	\$1279
.50	1200	56C	1.60/.80	75.5 %	SBY056PCA-E ◇	\$1383
	900	56C	1.90/.95	71.0 %	SBY058PCA-E ◇	\$1427
.75	1800	56C	2.20/1.1	83.0 %	SBY074MCA-E [⊠] ◇	\$1389
	1800	56C	2.80/1.40	85.5 %	SP0014MCA-E [⊠]	\$1671
1.0	1800	56C	2.80/1.40	85.5 %	SP0014PCA-E	\$1563
	1800	143TC	2.80/1.40	85.5 %	XP0014PCA-E	\$1577
1.5	1800	56C	4.20/2.10	86.5 %	SPY154PCA-E	\$1601
	1800	145TC	4.20/2.10	86.5 %	XPY154PCA-E	\$1618
2.0	1800	56C	5.40/2.70	86.5 %	SP0024PCA-E	\$1747
	1800	145TC	5.40/2.70	86.5 %	XP0024PCA-E	\$1761
3.0	1800	182TC	8.00/4.00	89.5 %	XP0034PCA-E	\$2455
5.0	1800	184TC	12.8/6.40	89.5 %	XP0054PCA-E	\$2752
7.5	1800	213TC	18.6/9.30	91.7 %	XPY754PCA-E	\$3764
10	1800	215TC	25.0/12.5	91.7 %	XP0104PCA-E	\$4070

◇ Not Applicable to Current Energy Regulations

⊠ Totally Enclosed Non-Ventilated

MOTOR INSTALLATION SIMPLIFIED

STERLING ELECTRIC'S YEARS OF EXPERIENCE IN THE MANUFACTURING OF ALL STAINLESS STEEL ENCAPSULATED MOTORS HAS JUST BEEN MADE SIMPLER.

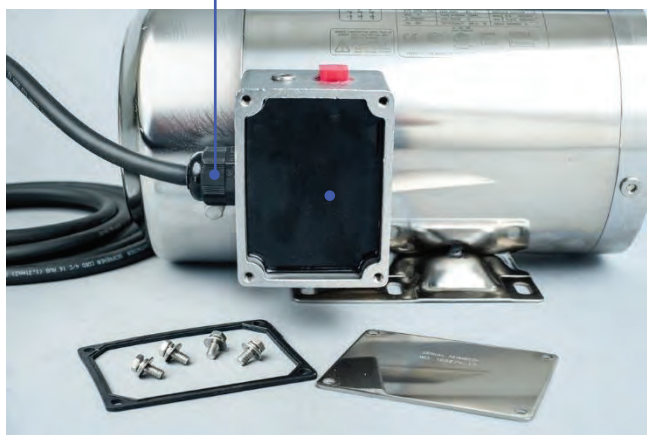
Our unsurpassed quality of Stainless Steel Encapsulated motors has been improved to provide the option of a Pre-Connected product with a 10 Foot, 4 wire, pigtail cord. Use of this option eliminates the headache of mis-connecting a motor, causing premature failure, and does not require use of silicone filled wire nuts or heat shrink tubing over the connection as required by some manufacturers.

Sterling Electric Corded Encapsulated motors reduce downtime and provide the easiest installation of motors in the industry. Our corded motors allow the motor to be direct wired to the motor control or the ability of wiring a quick disconnect plug.



Motor shown is supplied with our Cast Stainless Steel Conduit Box Option (Additional Charge Applies)

10FT, 4 WIRE, PIGTAIL CORD FOR EASE OF INSTALLATION



FULLY ENCAPSULATED CONDUIT BOX TO PREVENT ENTRANCE OF WATER

**IP66/69K
RATED**

All Encapsulated Corded motors provide a **3 Year Warranty** against defects in material or workmanship. This series of motors are also provided with Pre-Installed T-Drains in the Drive End and Opposite Drive End of the motor. Rotating the motor in 90 degree increments requires customer relocation of these drains to the lowest point and maintaining an IP66/69K ingress rating.

Sterling Electric's Encapsulated Corded Motor are designed and tested to meet the harshest applications found in the Food, Beverage and Pharmaceutical Industries by carrying an **IP66/69K** ingress rating to withstand high pressure Temperature water washdowns.

PREMIUM EFFICIENT MOTORS

STERLI-SEAL® STAINLESS Encapsulated

3 Phase, 60 Hz, 230 or 460 Volt ONLY
Preconnected with 10 Ft. Cord

Cast Stainless Steel Conduit Box Option – Add \$152 to the List Price Shown

C-FACE FOOT MOUNTED

HP	RPM	Frame	F/L Amps	Nominal Eff.	Model Number	List Price
.33	3600	56C	1.20/.60	62.0 %	SBY032MH*-EC✳◇	\$ 1793
	1800	56C	1.16/.58	80.0 %	SBY034MH*-EC✳◇	\$ 1865
.50	3600	56C	1.60/.80	70.0 %	SBY052MH*-EC✳◇	\$ 1809
	1800	56C	1.70/.85	80.0 %	SBY054MH*-EC✳◇	\$ 1885
.75	3600	56C	2.30/1.15	77.0 %	SBY072MH*-EC✳◇	\$ 1869
	1800	56C	2.20/1.10	83.0 %	SBY074MH*-EC✳◇	\$ 1993
1.0	3600	56C	2.90/1.45	77.0 %	SP0012PH*-EC	\$ 2099
	1800	56C	2.80/1.40	85.5 %	SP0014MH*-EC	\$ 2275
	1800	56C	2.80/1.40	85.5 %	SP0014PH*-EC	\$ 2177
	1800	143TC	2.80/1.40	85.5 %	XP0014PH*-EC	\$ 2223
1.5	3600	56C	3.80/1.90	84.0 %	SPY152PH*-EC	\$ 2225
	3600	143TC	3.80/1.90	84.0 %	XPY152PH*-EC	\$ 2276
	1800	56C	4.20/2.10	86.5 %	SPY154PH*-EC	\$ 2219
	1800	145TC	4.20/2.10	86.5 %	XPY154PH*-EC	\$ 2264
2.0	3600	56C	5.20/2.60	85.5 %	SP0022PH*-EC	\$ 2337
	3600	145TC	5.20/2.60	85.5 %	XP0022PH*-EC	\$ 2490
	1800	56C	5.40/2.70	86.5 %	SP0024PH*-EC	\$ 2360
	1800	145TC	5.40/2.70	86.5 %	XP0024PH*-EC	\$ 2464
3.0	3600	145TC	7.40/3.70	86.5 %	XPH0032PH*-EC	\$ 3181
	3600	182TC	7.00/3.50	86.5 %	XP0032PH*-EC	\$ 3182
	1800	182TC	8.00/4.00	89.5 %	XP0034PH*-EC	\$ 3101
5.0	3600	184TC	11.4/5.70	88.5 %	XP0052PH*-EC	\$ 3490
	1800	184TC	12.8/6.40	89.5 %	XP0054PH*-EC	\$ 3398
7.5	3600	213TC	17.2/8.60	89.5 %	XPY752PH*-EC	\$ 4523
	1800	213TC	18.6/9.30	91.7 %	XPY754PH*-EC	\$ 4402
10	3600	215TC	22.4/11.2	90.2 %	XP0102PH*-EC	\$ 4830
	1800	215TC	25.0/12.5	91.7 %	XP0104PH*-EC	\$ 4710

C-FACE FOOTLESS

HP	RPM	Frame	F/L Amps	Nominal Eff.	Model Number	List Price
.33	1800	56C	1.16/.58	80.0 %	SBY034MC*-EC✳◇	\$ 1861
	1800	56C	1.70/.85	80.0 %	SBY054MC*-EC✳◇	\$ 1879
.50	1800	56C	1.60/.80	75.5 %	SBY054PC*-EC◇	\$ 1983
	1200	56C	2.3/1.15	74.9 %	SBY056PC*-EC◇	\$ 2027
	900	56C	1.90/.95	71.0 %	SBY058PC*-EC◇	\$ 1989
.75	1800	56C	2.20/1.1	83.0 %	SBY074MC*-EC✳◇	\$ 2077
	1200	56C	2.75/1.38	74.0 %	SBY076PC*-EC◇	\$ 2023
1.0	1800	56C	2.80/1.40	85.5 %	SP0014MC*-EC✳	\$ 2271
	1800	56C	2.80/1.40	85.5 %	SP0014PC*-EC	\$ 2163
	1800	143TC	2.80/1.40	85.5 %	XP0014PC*-EC	\$ 2177
	1200	56C	3.40/1.70	82.5 %	SP0016PC*-EC	\$ 2205
1.5	1800	56C	4.20/2.10	86.5 %	SPY154PC*-EC	\$ 2201
	1800	145TC	4.20/2.10	86.5 %	XPY154PC*-EC	\$ 2218
2.0	1800	56C	5.40/2.70	86.5 %	SP0024PC*-EC	\$ 2347
	1800	145TC	5.40/2.70	86.5 %	XP0024PC*-EC	\$ 2361
3.0	1800	182TC	8.00/4.00	89.5 %	XP0034PC*-EC	\$ 3055
5.0	1800	184TC	12.8/6.40	89.5 %	XP0054PC*-EC	\$ 3352
7.5	1800	213TC	18.6/9.30	91.7 %	XPY754PC*-EC	\$ 4364
10	1800	215TC	25.0/12.5	91.7 %	XP0104PC*-EC	\$ 4670

✳ Totally Enclosed Non Ventilated

◇ Not Applicable to Current Energy Regulations

* Insert Letter "C" for 230 Volt or "B" for 460 Volt

INVERTER DUTY MOTORS

STERLI-SEAL® Inverter Duty Stainless Encapsulated

**3 Phase, 60 Hz, 230 or 460 Volt ONLY Preconnected with 10 Ft. Cord
Class "H" (Spike Resistant) Insulation per NEMA MG-1, Part 31
Suitable for (10:1 Constant Torque)**

Totally Enclosed Fan Cooled Enclosure

C-FACE FOOT MOUNTED

HP	RPM	Frame	F/L Amps	Nominal Eff.	Model Number	List Price
.50	1800	56C	1.50/.750	81.5 %	SIY054MH*-EC ✱	\$ 2861
.75	1800	56C	2.34/1.17	80.5 %	SIY074PH*-EC	\$ 3081
1.0	1800	56C	2.70/1.35	85.5 %	SI0014PH*-EC	\$ 3153
	1800	140TC	2.70/1.35	85.5 %	XI0014PH*-EC	\$ 3153
1.5	1800	56C	4.20/2.10	86.5 %	SIY154PH*-EC	\$ 3293
	1800	140TC	4.20/2.10	86.5 %	XIY154PH*-EC	\$ 3293
2.0	1800	56C	5.40/2.70	86.5 %	SI0024PH*-EC	\$ 3433
	1800	140TC	5.40/2.70	86.5 %	XI0024PH*-EC	\$ 3433
3.0	1800	180TC	8.00/4.00	89.5 %	XI0034PH*-EC	\$ 3649
5.0	1800	180TC	12.8/6.40	89.5 %	XI0054PH*-EC	\$ 4053
7.5	1800	210TC	18.6/9.30	91.7 %	XIY754PH*-EC	\$ 5525
10	1800	210TC	25.0/12.5	91.7 %	XI0104PHI*-EC	\$ 6141

✱ Totally Enclosed Non Ventilated

* Insert Letter "C" for 230 Volt or "B" for 460 Volt

C-FACE FOOTLESS

HP	RPM	Frame	F/L Amps	Nominal Eff.	Model Number	List Price
.50	1800	56C	1.50/.750	81.5 %	SIY054MC*-EC ✱	\$ 2845
.75	1800	56C	2.34/1.17	80.5 %	SYI074PC*-EC	\$ 3073
1.0	1800	56C	2.70/1.35	85.5 %	SI0014PC*-EC	\$ 3145
	1800	140TC	2.70/1.35	85.5 %	XI0014PC*-EC	\$ 3145
1.5	1800	56C	4.20/2.10	86.5 %	SIY154PC*-EC	\$ 3277
	1800	140TC	4.20/2.10	86.5 %	XIY154PC*-EC	\$ 3277
2.0	1800	56C	5.40/2.70	86.5 %	SI0024PC*-EC	\$ 3417
	1800	140TC	5.40/2.70	86.5 %	XI0024PC*-EC	\$ 3417
3.0	1800	180TC	8.00/4.00	89.5 %	XI0034PC*-EC	\$ 3629
5.0	1800	180TC	12.8//6.40	89.5 %	XI0054PC*-EC	\$ 4033
7.5	1800	210TC	18.6/9.30	91.7 %	XIY754PC*-EC	\$ 5513
10	1800	210TC	25.0/12.5	91.7 %	XI0104PC*-EC	\$ 6125

✱ Totally Enclosed Non Ventilated

* Insert Letter "C" for 230 Volt or "B" for 460 Volt

**Cast Stainless Steel Conduit Box Option – Add \$152 to the List Price Shown
For Non-Corded Design deduct \$600 from the List Price Shown**

Sterli-Seal Xtreme Encapsulated Stainless Motor

Our unsurpassed quality of Stainless Steel Encapsulated motors has been improved with our New Xtreme Series product, by providing Maintenance Free Operation, when purchased with a 10 Foot, 4 wire, pigtail cord.

Sterling Electric Xtreme Corded Encapsulated Motors reduce downtime and provide the easiest installation of motors in the Industry. Our corded motors allow direct wiring to the motor control, a quick disconnect plug or the ability to have a conduit connector mounted with the removal of our standard cable gland.



All Encapsulated Corded motors provide a **3 Year Warranty** against defects in material or workmanship. Non-Corded Motors require the use of supplied silicone filled wire nuts to maintain 3 year warranty.

Sterling Electric's Encapsulated Corded Motors are designed and tested to meet the harshest applications found in the Food, Beverage and Pharmaceutical industries by carrying an **IP66/69K** ingress rating to withstand high Pressure/Temperature water washdowns.



All corded motors are provided with a Stainless Steel 1/2" NPT Adapter that allows removal of the standard supplied cable gland and gives the ability to mount conduit in it's place.

Fully Encapsulated motor provides the elimination of T-Drains allowing installation in any mounting position and Maintenance Free Operation.



Non-Corded Version supplied with Investment Cast Stainless Steel Conduit Box capable of being rotated in 90° Increments (applies to Non-Corded version only).

Conduit Box is supplied with (6) silicone filled wire nuts, investment cast screw off cover with O-Ring to provide a Waterproof Connection.



PREMIUM EFFICIENT MOTORS

STERLI-SEAL[®] Xtreme Encapsulated

**3 Phase, 60 Hz, 208-230/460 Volt
C-FACE FOOT MOUNTED**

HP	RPM	Frame	F/L Amps	Nominal Eff.	Model Number	List Price
.33	3600	56C	1.20/.60	62.0 %	SBY032WHA ⚡◇	\$ 1700
	1800	56C	1.16/.58	80.0 %	SBY034WHA ⚡◇	\$ 1772
.50	3600	56C	1.60/.80	70.0 %	SBY052WHA ⚡◇	\$ 1716
	1800	56C	1.70/.85	80.0 %	SBY054WHA ⚡◇	\$ 1792
.75	3600	56C	2.30/1.15	77.0 %	SBY072WHA ⚡◇	\$ 1776
	1800	56C	2.20/1.10	83.0 %	SBY074WHA ⚡◇	\$ 1984
1.0	3600	56C	2.90/1.45	77.0 %	SP0012XHA	\$ 2006
	1800	56C	2.80/1.40	85.5 %	SP0014WHA ⚡	\$ 2182
	1800	56C	2.80/1.40	85.5 %	SP0014XHA	\$ 2084
	1800	143TC	2.80/1.40	85.5 %	XP0014XHA	\$ 2130
1.5	3600	56C	3.80/1.90	84.0 %	SPY152XHA	\$ 2132
	3600	143TC	3.80/1.90	84.0 %	XPY152XHA	\$ 2183
	1800	56C	4.20/2.10	86.5 %	SPY154XHA	\$ 2126
	1800	145TC	4.20/2.10	86.5 %	XPY154XHA	\$ 2171
2.0	3600	56C	5.20/2.60	85.5 %	SP0022XHA	\$ 2244
	3600	145TC	5.20/2.60	85.5 %	XP0022XHA	\$ 2397
	1800	56C	5.40/2.70	86.5 %	SP0024XHA	\$ 2267
	1800	145TC	5.40/2.70	86.5 %	XP0024XHA	\$ 2371
3.0	3600	145TC	7.40/3.70	86.5 %	XPH0032XHA	\$ 3488
	3600	182TC	7.00/3.50	86.5 %	XP0032XHA	\$ 3481
	1800	182TC	8.00/4.00	89.5 %	XP0034XHA	\$ 3400
5.0	3600	184TC	11.4/5.70	88.5 %	XP0052XHA	\$ 3801
	1800	184TC	12.8/6.40	89.5 %	XP0054XHA	\$ 3709
7.5	3600	213TC	17.2/8.60	89.5 %	XPY752XHA	\$ 4886
	1800	213TC	18.6/9.30	91.7 %	XPY754XHA	\$ 4765
10	3600	215TC	22.4/11.2	90.2 %	XP0102XHA	\$ 5193
	1800	215TC	25.0/12.5	91.7 %	XP0104XHA	\$ 5103

C-FACE FOOTLESS

HP	RPM	Frame	F/L Amps	Nominal Eff.	Model Number	List Price
.33	1800	56C	1.16/.58	80.0 %	SBY034WCA ⚡◇	\$ 1768
	1800	56C	1.70/.85	80.0 %	SBY054WCA ⚡◇	\$ 1786
.50	1800	56c	1.60/.80	75.5 %	SBY054XCA ◇	\$ 1890
	1200	56C	2.3/1.15	74.9 %	SBY056XCA ◇	\$ 1934
	900	56C	1.90/.95	71.0 %	SBY058XCA ◇	\$ 1978
.75	1800	56C	2.20/1.1	83.0 %	SBY074WCA ⚡◇	\$ 1900
	1200	56C	2.75/1.38	74.0 %	SBY076XCA ◇	\$ 2044
1.0	1800	56C	2.80/1.40	85.5 %	SP0014WCA ⚡	\$ 2178
	1800	56C	2.80/1.40	85.5 %	SP0014XCA	\$ 2070
	1800	143TC	2.80/1.40	85.5 %	XP0014XCA	\$ 2084
	1200	56C	3.40/1.70	82.5 %	SP0016XCA	\$ 2112
1.5	1800	56C	4.20/2.10	86.5 %	SPY154XCA	\$ 2108
	1800	145TC	4.20/2.10	86.5 %	XPY154XCA	\$ 2125
2.0	1800	56C	5.40/2.70	86.5 %	SP0024XCA	\$ 2254
	1800	145TC	5.40/2.70	86.5 %	XP0024XCA	\$ 2268
3.0	1800	182TC	8.00/4.00	89.5 %	XP0034XCA	\$ 3354
5.0	1800	184TC	12.8/6.40	89.5 %	XP0054XCA	\$ 3663
7.5	1800	213TC	18.6/9.30	91.7 %	XPY754XCA	\$ 4727
10	1800	215TC	25.0/12.5	91.7 %	XP0104XCA	\$ 5033

⚡ Totally Enclosed Non Ventilated

◇ Not Applicable to Current Energy Regulations

PREMIUM EFFICIENT MOTORS

STERLI-SEAL[®] Xtreme Encapsulated

3 Phase, 60 Hz, 230 or 460 Volt ONLY

Preconnected with 10 Foot Cord

C-FACE FOOT MOUNTED

HP	RPM	Frame	F/L Amps	Nominal Eff.	Model Number	List Price
.33	3600	56C	1.20/.60	62.0 %	SBY032WH*-C ⚡◇	\$ 2300
	1800	56C	1.16/.58	80.0 %	SBY034WH*-C ⚡◇	\$ 2372
.50	3600	56C	1.60/.80	70.0 %	SBY052WH*-C ⚡◇	\$ 2316
	1800	56C	1.70/.85	80.0 %	SBY054WH*-C ⚡◇	\$ 2392
.75	3600	56C	2.30/1.15	77.0 %	SBY072WH*-C ⚡◇	\$ 2376
	1800	56C	2.20/1.10	83.0 %	SBY074WH*-C ⚡◇	\$ 2500
1.0	3600	56C	2.90/1.45	77.0 %	SP0012XH*-C	\$ 2606
	1800	56C	2.80/1.40	85.5 %	SP0014WH*-C ⚡	\$ 2782
	1800	56C	2.80/1.40	85.5 %	SP0014XH*-C	\$ 2684
	1800	143TC	2.80/1.40	85.5 %	XP0014XH*-C	\$ 2730
1.5	3600	56C	3.80/1.90	84.0 %	SPY152XH*-C	\$ 2732
	3600	143TC	3.80/1.90	84.0 %	XPY152XH*-C	\$ 2783
	1800	56C	4.20/2.10	86.5 %	SPY154XH*-C	\$ 2726
	1800	145TC	4.20/2.10	86.5 %	XPY154XH*-C	\$ 2771
2.0	3600	56C	5.20/2.60	85.5 %	SP0022XH*-C	\$ 2844
	3600	145TC	5.20/2.60	85.5 %	XP0022XH*-C	\$ 2997
	1800	56C	5.40/2.70	86.5 %	SP0024XH*-C	\$ 2867
	1800	145TC	5.40/2.70	86.5 %	XP0024XH*-C	\$ 2971
3.0	3600	145TC	7.40/3.70	86.5 %	XPH0032XH*-C	\$ 4088
	3600	182TC	7.00/3.50	86.5 %	XP0032XH*-C	\$ 4081
	1800	182TC	8.00/4.00	89.5 %	XP0034XH*-C	\$ 4000
5.0	3600	184TC	11.4/5.70	88.5 %	XP0052XH*-C	\$ 4401
	1800	184TC	12.8/6.40	89.5 %	XP0054XH*-C	\$ 4309
7.5	3600	213TC	17.2/8.60	89.5 %	XPY752XH*-C	\$ 5486
	1800	213TC	18.6/9.30	91.7 %	XPY754XH*-C	\$ 5365
10	3600	215TC	22.4/11.2	90.2 %	XP0102XH*-C	\$ 5793
	1800	215TC	25.0/12.5	91.7 %	XP0104XH*-C	\$ 5703

C-FACE FOOTLESS

HP	RPM	Frame	F/L Amps	Nominal Eff.	Model Number	List Price
.33	1800	56C	1.16/.58	80.0 %	SBY034WC*-C ⚡◇	\$ 2368
	1800	56C	1.70/.85	80.0 %	SBY054WC*-C ⚡◇	\$ 2386
.50	1800	56C	1.60/.80	75.5 %	SBY054XC*-C ◇	\$ 2490
	1200	56C	2.3/1.15	74.9 %	SBY056XC*-C ◇	\$ 2534
	900	56C	1.90/.95	71.0 %	SBY058XC*-C ◇	\$ 2496
.75	1800	56C	2.20/1.1	83.0 %	SBY074WC*-C ⚡◇	\$ 2584
	1200	56C	2.75/1.38	74.0 %	SBY076XC*-C ◇	\$ 2530
1.0	1800	56C	2.80/1.40	85.5 %	SP0014WC*-C ⚡	\$ 2778
	1800	56C	2.80/1.40	85.5 %	SP0014XC*-C	\$ 2670
	1800	143TC	2.80/1.40	85.5 %	XP0014XC*-C	\$ 2684
	1200	56C	3.40/1.70	82.5 %	SP0016XC*-C	\$ 2712
1.5	1800	56C	4.20/2.10	86.5 %	SPY154XC*-C	\$ 2708
	1800	145TC	4.20/2.10	86.5 %	XPY154XC*-C	\$ 2725
2.0	1800	56C	5.40/2.70	86.5 %	SP0024XC*-C	\$ 2854
	1800	145TC	5.40/2.70	86.5 %	XP0024XC*-C	\$ 2868
3.0	1800	182TC	8.00/4.00	89.5 %	XP0034XC*-C	\$ 3954
5.0	1800	184TC	12.8/6.40	89.5 %	XP0054XC*-C	\$ 4263
7.5	1800	213TC	18.6/9.30	91.7 %	XPY754XC*-C	\$ 5327
10	1800	215TC	25.0/12.5	91.7 %	XP0104XC*-C	\$ 5633

⚡ Totally Enclosed Non Ventilated

◇ Not Applicable to Current Energy Regulations

* Insert Letter "C" for 230 Volt or "B" for 460 Volt

INVERTER DUTY MOTORS

STERLI-SEAL® Inverter Duty Xtreme Encapsulated

3 Phase, 60 Hz, 230 or 460 Volt ONLY Preconnected with 10 Ft. Cord
Class "H" (Spike Resistant) Insulation per NEMA MG-1, Part 31
Suitable for (10:1 Constant Torque)

Totally Enclosed Fan Cooled Enclosure

C-FACE FOOT MOUNTED

HP	RPM	Frame	F/L Amps	Nominal Eff.	Model Number	List Price
.50	1800	56C	1.50/.750	81.5 %	SIY054WH*-C ☼	\$ 3368
.75	1800	56C	2.34/1.17	80.5 %	SIY074XH*-C	\$ 3588
1.0	1800	56C	2.70/1.35	85.5 %	SI0014XH*-C	\$ 3660
	1800	140TC	2.70/1.35	85.5 %	XI0014XH*-C	\$ 3660
1.5	1800	56C	4.20/2.10	86.5 %	SIY154XH*-C	\$ 3800
	1800	140TC	4.20/2.10	86.5 %	XIY154XH*-C	\$ 3800
2.0	1800	56C	5.40/2.70	86.5 %	SI0024XH*-C	\$ 3940
	1800	140TC	5.40/2.70	86.5 %	XI0024XH*-C	\$ 3940
3.0	1800	180TC	8.00/4.00	89.5 %	XI0034XH*-C	\$ 4548
5.0	1800	180TC	12.8/6.40	89.5 %	XI0054XH*-C	\$ 4964
7.5	1800	210TC	18.6/9.30	91.7 %	XIY754XH*-C	\$ 6488
10	1800	210TC	25.0/12.5	91.7 %	XI0104XH*-C	\$ 7104

☼ Totally Enclosed Non Ventilated

C-FACE FOOTLESS

HP	RPM	Frame	F/L Amps	Nominal Eff.	Model Number	List Price
.50	1800	56C	1.50/.750	81.5 %	SIY054WC*-C ☼	\$ 3352
.75	1800	56C	2.34/1.17	80.5 %	SIY074XC*-C	\$ 3580
1.0	1800	56C	2.70/1.35	85.5 %	SI0014XC*-C	\$ 3652
	1800	140TC	2.70/1.35	85.5 %	XI0014XC*-C	\$ 3652
1.5	1800	56C	4.20/2.10	86.5 %	SIY154XC*-C	\$ 3784
	1800	140TC	4.20/2.10	86.5 %	XIY154XC*-C	\$ 3784
2.0	1800	56C	5.40/2.70	86.5 %	SI0024XC*-C	\$ 3924
	1800	140TC	5.40/2.70	86.5 %	XI0024XC*-C	\$ 3924
3.0	1800	180TC	8.00/4.00	89.5 %	XI0034XC*-C	\$ 4528
5.0	1800	180TC	12.8//6.40	89.5 %	XI0054XC*-C	\$ 4944
7.5	1800	210TC	18.6/9.30	91.7 %	XIY754XC*-C	\$ 6476
10	1800	210TC	25.0/12.5	91.7 %	XI0104XC*-C	\$ 7088

☼ Totally Enclosed Non Ventilated

* Insert Letter "C" for 230 Volt or "B" for 460 Volt

For Non-Corded Design deduct \$600 from the List Price Shown

UNIVERSAL PICKER MOTOR

For 95 Years Sterling Electric has provided SOLUTIONS to critical customer applications with superior products. We are the “go to company” for products used in sanitary applications where other manufacturer’s products cannot survive.

Keeping our SOLUTIONS philosophy in mind, we have developed our Universal Picker Motor to provide features that cannot be found with competing brand products. In addition, our product provides one Base Model that allows for NEMA or Metric Mounting configurations reducing maintenance inventory requirements.

The following outstanding features set us apart from our Competition:



Our unique design allows various mounting options depending upon the customer requirements of a NEMA145T/145TC or IEC 100L/100LC Frame.

All motors are supplied, as standard, with Two Part Epoxy White Paint. Fan Guard And Terminal Box Cover are of Stainless Steel materials.

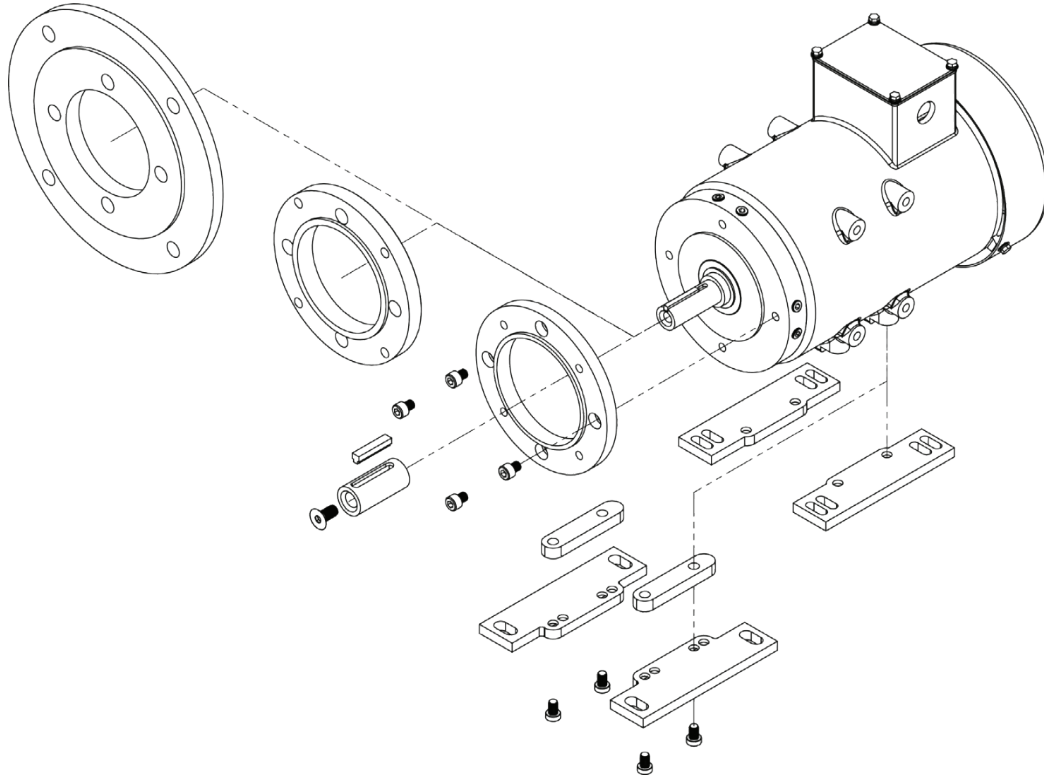
Encapsulated Motor windings and Potted Connection Leads, as standard. Double Row Sealed Bearings on drive end and opposite drive end for greater overhung loads, as standard.

143T Frame—TEFC/IP66 Enclosure, NEMA Design “D” 5-8% Slip, 3HP, 3 Phase, 60Hz. 208-230/460

	STERLING ELECTRIC	COMPETITION
Frame	CAST IRON	Rolled Steel
End Brackets	CAST IRON	Die Cast Aluminum
Fan Cover	Stainless Steel	Stainless Steel
Terminal Box	CAST IRON - Cast in Frame	Die Cast Aluminum
Connection Lead Seal	Potted as Standard	No or Potted as Option
Silicone Filled Wire Nuts	Standard	NO or Heat Shrink Tubing
Drive End Bearing	Double Row Sealed 5206LL	Sealed Ball 6205LL
Opposite Drive End Bearing	Double Row Sealed 5204LL	Sealed Ball 6203LL
Insulation	Class F	Class F
Service Factor	1.15	1.0
Motor Shaft	Stainless Steel	Stainless Steel
Encapsulate Windings	Standard	Not Available or Optional
Condensation Drain	Stainless Steel T-Drain	Open Hole or Breather
Inverter Rated per MG1- Part 31.4.4.2	Standard	Standard

MODEL NUMBER	DESCRIPTION	LIST PRICE
TDH0034PXA	Base Motor	1251
TDH0034PX*-C	Base Motor w/10 °Cord	1508
TBH140BKIT	143T Base Mounting Kit	90
TBHM100LBKIT	100L Base Mounting Kit	130
TBHM112MBKIT	112M Base Mounting Kit	90
TBH140CFKIT	143TC C-Face Kit	175
TBHMB5KIT	Metric B5 Flange Kit	230
TBHMB14KIT	Metric B14 Face Kit	175
TBHM100SKIT	Metric Shaft Kit	74

- For Corded Motors insert “C” for 230V or “B” for 460V in the above listed Model Number



The flexibility of our Universal Picker Motor allows for ONE Base Model Motor, that can be carried in inventory, to make both NEMA and IEC mountings with the addition of two base kits or three output flange mounting kits and a metric shaft kit.

With this flexible design, the Sterling Universal Picker Motor is interchangeable with many competing brands, and provides greater durability with a Cast Iron Heavy Duty Frame. Our standard motor provides, as standard, a Stainless Steel Fan Guard and Conduit Box Cover. All nameplate data is permanently etched into the conduit box cover for ease in making electrical connection or reference of motor performance characteristics.

Sterling's Universal Picker Motor provides optimum motor insulation protection with Encapsulated Windings, as standard. All connection leads are potted with polymer to eliminate intrusion of water to internal components. Each motor is provided with silicone filled wire nuts to insure electrical connections are free from any water intrusion caused by the severe environment found in picker applications.

Double Sealed Double Row bearings each end provide greater overhung load capability for use with the HTD pulley used in picker applications.

INTERCHANGE GUIDE

The Listed Competing Brands can be Replaced by the Universal Picker Motor with the purchase of the proper Bolt On Accessories

HP/KW	RPM	FRAME	LEESON CATALOG NUMBER	LEESON MODEL NUMBER	BALDOR CATALOG NUMBER	BLUFFTON CATALOG NUMBER	BLUFFTON MODEL NUMBER
3HP/2.2KW	1800	145T	121944.00	C145T17FB92	WDM3561TP-9	13993	1311017141
3HP/2.2KW	1800	D100C	193359.60	C100T17FZ45	MVM3611C	53211	1311017174

ENGINEERING DATA INDEX

Performance Data

Models with Part Number Prefix NB, and RB.....	27
Models with Part Number Prefix DP, NP, SP and XP	27
Premium Efficient Cast Iron Constructed Motors	
Totally Enclosed Fan Cooled Enclosure Part Number Prefix TH	28
Bearing Sizes	31
Inverter Rated Motors	31
Wiring Diagrams	29-30
Model Number Codes	48

Dimensions

Rolled Steel Frame Motors	
Totally Enclosed Fan Cooled (TEFC) Frames 56-210 Foot Mounted	32
Totally Enclosed Non-Ventilated (TENV) Frame 56C C-Face Mounted	34
Totally Enclosed Fan Cooled (TEFC) Frames 56-140 C-Face Mounted	35
Totally Enclosed Fan Cooled (TEFC) Frames 180-210 C-Face Mounted	36
Totally Enclosed Fan Cooled (TEFC) Foot Mounted Brakemotors	38
Totally Enclosed Fan Cooled (TEFC) C-Face Foot mounted Brakemotors	39
Totally Enclosed Fan Cooled (TEFC) C-Face Footless Brakemotors	40
Stainless Steel Frame Motors	
Totally Enclosed Non-Ventilated (TENV) Frame 56 C-Face Mounted	41
Totally Enclosed Fan Cooled (TEFC) Frames 56-140 C-Face Mounted	42
Totally Enclosed Fan Cooled (TEFC) Frames 180-280 C-Face Mounted	43
Premium Efficient (TEFC) Frame 140-180JM Close Coupled Pump Mount	44
Premium Efficient (TEFC) Frame 210-280JM Close Coupled Pump Mount	45
Cast Iron Frame Motors	
Totally Enclosed Fan Cooled (TEFC) Frame 250-444TS Foot Mounted	33
Totally Enclosed Fan Cooled (TEFC) Frame 250-440TC C-Face Footless	37

PERFORMANCE DATA

Frame 56 Models with Prefix NB and RB

HP	Full Load RPM	Frame	Full Load Amps @ 230V	Locked Rotor Amps @ 230V	EFFICIENCY			POWER FACTOR			F.L. Ft. Lbs.	Locked Rotor %	Break-Down %
					Full Load	3/4 Load	1/2 Load	Full Load	3/4 Load	1/2 Load			
.33	1750	56	1.20	9.0	76.5	75.4	71.4	68.0	56.0	43.0	.976	300	380
	1750	56	1.38	7.2	70.0	66.0	61.0	65.0	55.0	44.0	.976	220	300
.50	3600	56	1.50	11.4	73.0	69.7	62.8	85.5	79.8	70.0	.745	250	350
	1750	56	1.70	11.5	80.0	79.8	75.0	69.0	59.0	46.0	1.504	300	360
	1750	56	1.90	11.2	74.5	72.5	65.0	67.8	57.0	45.0	1.504	200	300
.75	3510	56	2.20	18.0	74.0	72.8	66.6	85.0	78.4	68.0	1.121	250	350
	3450	56	2.50	13.0	68.0	68.5	65.0	84.0	80.5	65.0	1.143	200	250
	1750	56	2.70	16.2	77.0	76.8	74.0	69.0	58.0	45.0	2.278	260	340

Totally Enclosed Non-Ventilated Enclosure Data

Models with Prefix DP, NP, SP and XP

HP	Full Load RPM	Frame	Full Load Amps @ 230V	Locked Rotor Amps @ 230V	EFFICIENCY			POWER FACTOR			F.L. Ft. Lbs.	Locked Rotor %	Break-Down %
					Full Load	3/4 Load	1/2 Load	Full Load	3/4 Load	1/2 Load			
.33	3460	56C	1.20	7.0	62.0	60.0	55.0	85.0	78.0	68.0	.51	200	300
	1750	56C	1.16	8.5	80.0	79.0	77.0	66.0	58.0	43.0	1.00	300	350
.50	3500	56C	1.60	11	70.0	66.0	61.0	84.0	76.0	66.0	.74	250	300
	1750	56C	1.70	13	80.0	79.0	74.0	69.5	61.0	46.0	1.50	300	450
	1725	56C	1.60	13	75.5	74.5	72.0	77.0	59.0	56.0	1.51	250	340
	1150	56C	2.30	12	74.9	70.5	63.0	55.0	45.0	35.0	2.28	200	300
	820	56C	1.90	7.1	71.0	73.5	72.0	70.0	58.8	45.0	3.18	220	230
.75	3500	56C	2.30	18	77.0	75.0	70.0	84.0	76.0	62.0	1.12	280	350
	1750	56C	2.20	19	73.0	82.5	79.5	77.0	71.0	59.0	2.24	250	400
	1750	56C	2.34	17	80.5	78.5	73.5	74.6	66.4	53.9	2.24	250	380
	1145	56C	2.75	11	74.0	73.5	70.0	69.0	59.0	46.0	3.44	160	220
1.0	3500	56C	2.90	21	77.0	76.0	72.0	84.0	77.0	65.0	1.50	250	380
	1750	56C	2.80	24	85.5	85.0	83.0	78.0	68.8	55.0	2.99	280	380
	1750	56/140TC	2.80	23	85.5	85.0	83.0	76.0	68.0	55.0	2.99	300	380
	1150	56/140TC	3.40	19.5	82.5	82.0	79.0	65.0	56.0	43.0	4.54	220	320
1.5	3500	56/140TC	3.80	34	84.0	83.5	80.5	88.0	83.3	73.2	2.26	320	370
	1750	56/140TC	4.20	33.5	86.5	85.5	83.0	77.5	70.0	58.0	4.51	280	350
2.0	3525	56/140TC	5.20	52	85.5	84.2	81.0	82.8	78.0	66.0	3.00	300	400
	1750	56/140TC	5.40	43	86.5	85.7	84.0	80.0	72.7	60.2	6.00	280	360
3.0	3500	145TC	7.40	73.5	86.5	86.4	86.0	86.5	83.7	72.1	4.51	250	310
	3525	182TC	7.00	70	86.5	86.0	84.0	92.6	89.0	84.0	4.478	250	310
	1760	182TC	8.00	66	89.5	89.0	87.0	79.0	74.6	63.0	8.96	230	350
5.0	3500	184TC	11.4	105	88.5	88.5	87.5	93.0	90.5	85.5	7.50	220	350
	1750	184TC	12.8	105	89.5	89.0	87.5	80.5	73.9	62.0	14.97	200	370
7.5	3550	213TC	17.2	121	89.5	89.0	87.0	92.1	90.0	85.0	11.17	210	310
	1770	213TC	18.6	110	91.7	91.0	90.3	82.0	76.0	66.0	22.38	180	300
10	3550	215TC	22.4	172	90.2	90.1	89.2	92.0	87.5	80.5	22.4	180	250
	1770	215TC	25.0	160	91.7	91.3	90.5	82.0	79.1	69.2	29.68	170	290

Totally Enclosed Non-Ventilated Enclosure Data

PERFORMANCE DATA

NEMA Premium Efficient – TEFC Enclosure Models with Prefix EH or TH

HP	Full Load RPM	Frame	Full Load Amps @ 230V	Locked Rotor Amps @ 230V	EFFICIENCY			POWER FACTOR			F.L. Ft. Lbs.	Locked Rotor %	Break- Down %
					Full Load	3/4 Load	1/2 Load	Full Load	3/4 Load	1/2 Load			
7.5	1170	254T	20.2	127	91.7	92.0	91.5	77.0	72.0	61.5	33.6	200	240
10	1170	256T	26.4	162	91.7	92.1	91.7	79.0	74.5	65.0	44.9	200	240
15	3510	254T/TC	34.8	226	91.0	91.2	90.9	89.0	91.8	88.1	22.1	185	275
	1760	254T/TC	35.8	222	93.0	92.3	91.8	84.0	87.1	80.5	44.4	205	260
	1170	284T/TC	38.8	232	92.4	92.6	91.3	80.0	75.5	66.3	67.3	210	230
20	3510	256T/TC	46.4	280	91.0	91.3	91.2	89.0	92.5	89.5	29.5	180	250
	1760	256T/TC	47.4	288	93.0	92.6	92.2	85.0	87.8	81.8	59.2	210	250
	1170	286T/TC	51.0	290	92.4	92.8	91.5	81.0	78.0	70.0	89.8	210	225
25	3520	284TS	56.8	336	91.7	92.0	91.8	90.0	93.2	91.3	36.8	165	225
	1765	284T	57.6	334	93.6	93.2	92.8	87.0	88.3	82.9	73.9	185	245
	1175	324T	60.4	365	93.0	93.1	92.2	85.0	81.0	71.0	111.8	210	250
30	3525	286TS	68.2	402	91.7	92.3	92.2	90.0	93.1	91.3	44.2	170	220
	1765	286T	69.0	388	94.1	93.4	93.1	87.0	89.0	84.3	88.7	180	230
	1175	326T	72.0	435	93.0	93.3	92.5	85.5	81.5	72.0	134.1	215	255
40	3530	324TS	90.2	488	92.4	92.1	91.6	90.0	90.9	86.9	58.8	155	265
	1770	324T	90.6	542	94.1	93.7	93.3	88.0	86.0	79.3	118.0	170	250
	1180	364T	96.0	580	94.5	94.7	93.7	84.0	82.0	75.0	178.1	200	220
50	3550	326TS	112.0	598	93.0	92.8	92.4	90.0	91.4	87.9	73.5	155	255
	1770	326T	112.6	680	94.5	94.0	93.7	88.0	87.2	80.1	147.5	175	250
	1180	365T	120.0	725	94.5	94.8	94.3	84.0	83.0	75.5	222.6	200	230
60	3565	364TS	133.4	806	93.6	93.4	93.0	90.0	93.4	91.1	88.1	165	255
	1770	364T	136.0	824	95.0	94.1	93.8	87.0	87.2	81.2	176.5	160	250
	1180	404T	148.0	870	95.0	95.1	94.3	82.0	79.5	72.0	267.1	200	240
75	3565	365TS	166.8	958	93.6	93.8	93.6	90.0	93.2	91.1	110.1	165	240
	1770	365T	169.4	1042	95.4	94.5	94.1	87.0	87.7	81.9	220.6	165	250
	1180	405T	181.0	1085	95.0	95.3	94.5	83.0	80.5	73.0	333.8	200	240
100	3540	405TS	228.0	1450	94.5	94.5	93.4	88.0	87.0	82.5	148.4	160	240
	1775	405T	226.0	1348	95.4	94.8	94.4	87.0	86.2	79.7	294.1	155	250
	1180	444T	242.0	1450	95.0	95.1	94.2	82.5	80.5	73.0	445.1	200	250
125	3550	444TS	290.0	1815	94.5	94.7	93.5	86.5	84.5	77.0	184.9	160	220
	1775	444T	280.0	1656	95.4	95.0	94.7	88.0	89.5	85.0	367.2	165	240

CONNECTION INFORMATION

CONNECTION INFORMATION OF STERLING 3-PHASE T-FRAME MOTORS T SERIES

TEFC

HP	3600-RPM						1800-RPM						1200-RPM								
	NUMBER OF LEADS	ACROSS THE LINE START		Y-Δ START	PART WINDING START		NUMBER OF LEADS	ACROSS THE LINE START		Y-Δ START	PART WINDING START		NUMBER OF LEADS	ACROSS THE LINE START		Y-Δ START	PART WINDING START				
		LOW V	HIGH V		LOW V	HIGH V		LOW V	HIGH V		LOW V	HIGH V		LOW V	HIGH V		LOW V	HIGH V	LOW V	HIGH V	LOW V
7.5 - 125	12	#3	#4	#6	#7	N/A	12	#3	#4	#6	#7	N/A	12	#3	#4	#6	#7	#5	#5	#5	N/A

NOTE: FOR SINGLE VOLTAGE 575V UNITS WITH 6-LEADS, REFER TO CONNECTION #10.

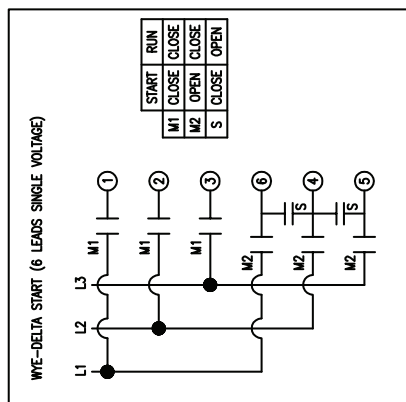
CONNECTION INFORMATION OF STERLING 3-PHASE T-FRAME MOTORS R, S, N, D AND X SERIES (TENV AND TEFC)

HP	3600-RPM						1800-RPM						1200-RPM								
	NUMBER OF LEADS	ACROSS THE LINE START		Y-Δ START	PART WINDING START		NUMBER OF LEADS	ACROSS THE LINE START		Y-Δ START	PART WINDING START		NUMBER OF LEADS	ACROSS THE LINE START		Y-Δ START	PART WINDING START				
		LOW V	HIGH V		LOW V	HIGH V		LOW V	HIGH V		LOW V	HIGH V		LOW V	HIGH V		LOW V	HIGH V	LOW V	HIGH V	LOW V
0.33 - 0.75	9	#1	#2	N/A	N/A	N/A	9	#1	#2	N/A	N/A	N/A	9	#1	#2	N/A	N/A	N/A	N/A	N/A	N/A
1 - 5	9	#1	#2	N/A	N/A	N/A	9	#1	#2	N/A	N/A	N/A	9	#1	#2	N/A	N/A	N/A	N/A	N/A	N/A
7.5 - 10	9	#1	#2	N/A	N/A	N/A	9	#1	#2	N/A	N/A	N/A	9	#1	#2	N/A	N/A	N/A	N/A	N/A	N/A

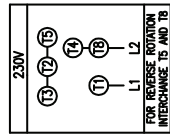
CONNECTION INFORMATION OF STERLING 1-PHASE T-FRAME MOTORS S, N, D AND X SERIES (TENV AND TEFC)

HP	ALL SPEEDS		
	NUMBER OF LEADS	ACROSS THE LINE START	
		LOW V	HIGH V
0.25 - 1.5	6	#12	#13
0.25 - 1.5	7	#14	#15

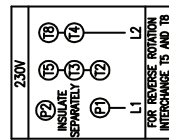
CONNECTION INFORMATION



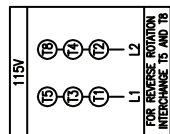
#11



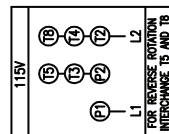
#13



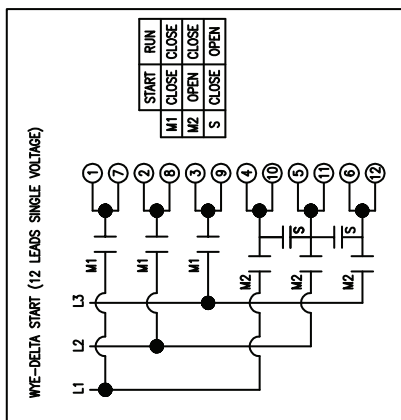
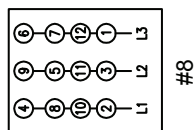
#15



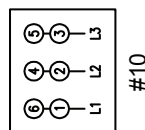
#12



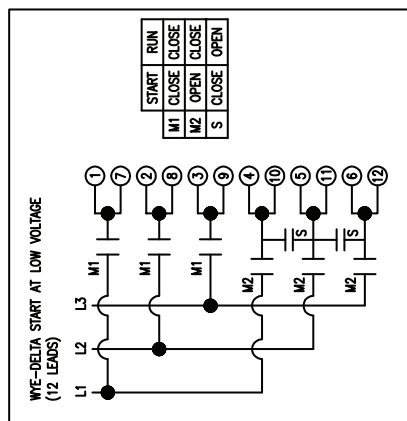
#14



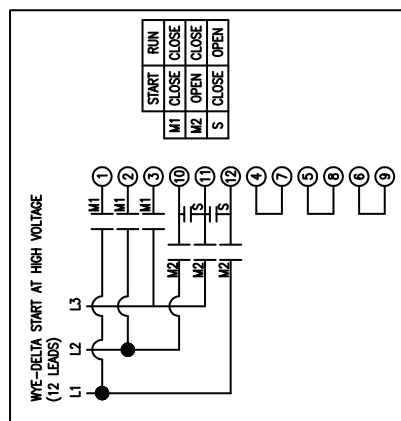
#9



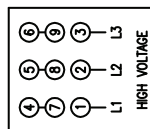
#10



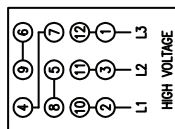
#6



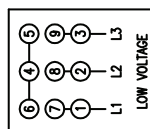
#7



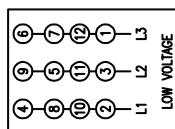
#2



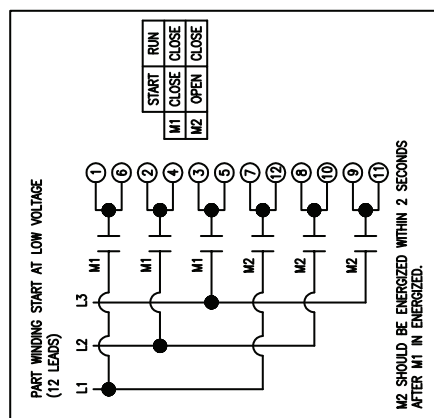
#4



#1



#3



#5

ENGINEERING DATA**Bearing Sizes**

FRAME	T-SERIES 7	T-SERIES 8	E-SERIES 7	E-SERIES 8	N,R-SERIES 7	N,R-SERIES 8	S,X,D-SERIES 7	S,X,D-SERIES 8
56					6205ZZ*	6204ZZ	6205LL	6204LL
140T 180T	6205LL 6206LL	6205LL 6206LL	6205ZZ 6207ZZ	6205ZZ 6206ZZ			6205LL 6306LL	6204LL 6206LL**
210T 250T	6208LL 6309LL	6208LL 6309LL	6308ZZ 6310ZZ	6208ZZ 6208ZZ			6308LL 6309LL	6306LL 6309LL
280T 280TS	6311CLL 6311C3LL	6311CLL 6311C3LL	6310ZZ 6310C3	6210ZZ 6210C3			6311LL 6311C3LL	6311LL 6311C3LL
320T 320TS	6312C3 6312C3	6312C3 6312C3	6312ZZ 6312C3	6212ZZ 6212C3				
360T 360TS	6314 6314C3	6314 6314C3	NU215 6312C3	6312 6312C3				
400T 400TS	6316 6316C3	6316 6316C3	NU218 6313C3	6313 6313C3				
440T 440TS	NU316 6316C3	6316 6316C3	NU220 6313C3	6315 6313C3				

Inverter Rated Motors

In many instances, Sterling Electric's Premium Efficient NEMA design "B" motor is suitable for applications using solid state, variable frequency, variable voltage controllers (Inverters). To properly select a motor and the proper controller for an application, requires several pieces of information.

Type of Load:	Variable torque, constant torque, constant horsepower
Speed Variation Required:	High speed/low speed
Starting Torque Required:	Applications requiring NEMA design "C" high starting torque may need a special motor and controller design
Duty Cycle:	Hours per day, number of starts and stops, run time at low speeds
Over Hauling Loads:	Can the motor be driven (by the load) above synchronous speed, or in reverse direction ?
Coupling Method:	Direct coupled, sprocket, sheave, pinion/gear

Most variable torque applications with speed ranges of 10:1 (60Hz – 6 Hz), constant torque applications with speed ranges of 7:1 (60Hz – 8.5 Hz) or less, both with inverters that do not produce excessive peak voltages can be serviced by a Premium Efficient Sterling motor --- open dripproof or totally enclosed fan cooled enclosure --- depending upon the location and environment.

Use of standard motors on variable frequency, variable voltage controllers should be limited as follows:

1. Maximum total line distance between the controller and motor is not to exceed 50 Feet.
2. Maximum switching (carrier) frequency of the control is not to exceed 8 kHz.

3600 – RPM motors operating at lower frequencies can become unstable, noisy, and produce "cogging".

Small motors, such as the above will require varying degrees of voltage "boost" or "forcing" in order to produce rated torque at low frequency operation. Refer to NEMA MG1-1998, Part 31.

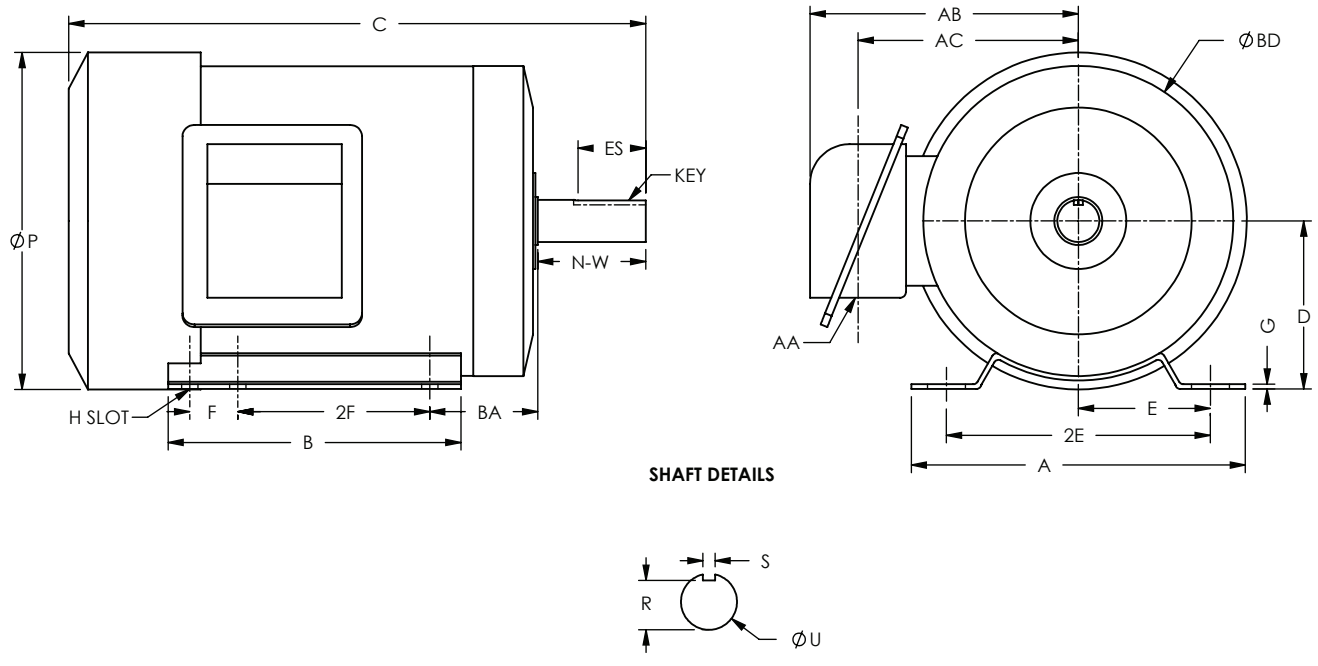
Note: The use of standard Sterling motors on high switching frequency, IGBT type inverters may void the warranty relating to winding and possible bearing failures. Inverter duty motors are recommended on Pages 12, 19 and 23 of this Catalog.

DANGER: The maximum allowable speed for these motors is not to exceed the values shown in the table listed below. Operating the motors beyond this speed can cause severe damage to both equipment and personnel. Consult factory for applications that require motor speeds beyond the values listed in the table or larger frame sizes.

Sterling Rolled Steel frame, Cast Iron frame and Stainless Steel frame motors (Model Prefixes NB, DB, SB, XB, DH or XH and TH) can withstand dielectric stresses of 1600 volts, peak voltage terminal to terminal with maximum .5 V/ns dv/dt* rate of rise with no noticeable adverse effect on the insulation system life.

For application Questions or Assistance Consult Factory

NP/DP TEFC Rolled Steel Footed Motors (Frame 56-215T)



SHAFT DETAILS

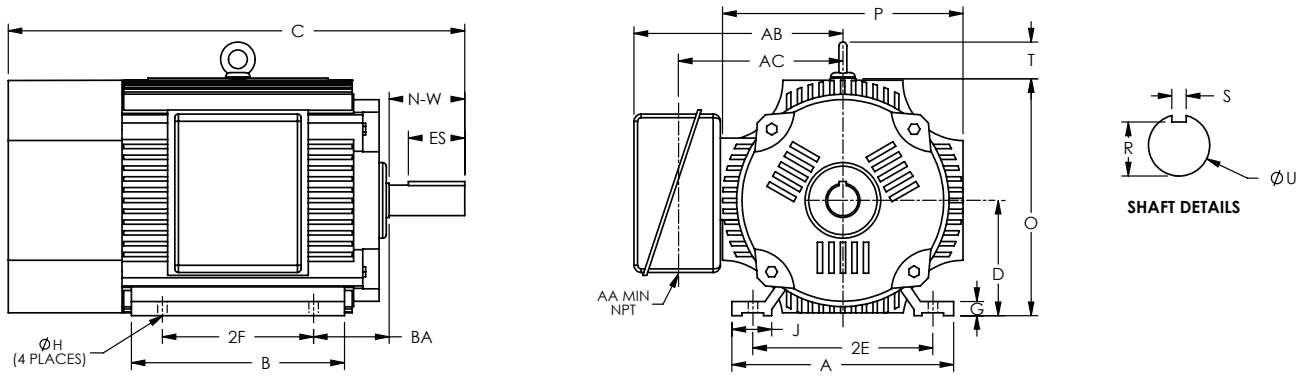
FRAME	A	B	C	D	E	2E	F*	2F	G	H	N-W	P	R	S	U
56T	6.50	5.75	13.60	3.50	2.44	4.88	2.00	3.00	.10	.79 x .34	1.88	7.02	.517	.188	0.625
145T	6.96	6.10	13.85	3.50	2.75	5.50	1.00	4.00	.10	.79 x .34	2.25	7.02	.771	.188	0.875
182T	8.82	6.50	16.37	4.50	3.75	7.50	1.00	4.50	.15	.71 x .47	2.75	8.45	0.986	.250	1.125
184T	8.82	6.50	17.16	4.50	3.75	7.50	1.00	4.50	.15	.71 x .47	2.75	8.45	0.986	.250	1.125
213T	10.32	7.32	17.92	5.25	4.25	8.50	-	5.50	.20	.71 x .47	3.38	10.77	1.201	.31	1.375
215T	10.32	7.32	19.10	5.25	4.25	8.50	1.50	5.50	.20	.71 x .47	3.38	10.77	1.201	.31	1.375

*Alternate mounting on same base.
 ** All motors shown at longest frame length.

FRAME	AA	AB	AC	BA	BD	ES
56T	0.87	5.55	4.25	2.75	6.46	1.41
145T	0.87	5.59	4.25	2.25	6.46	1.41
145T	0.87	5.59	4.25	2.25	6.46	1.41
182T	1.10	6.50	5.17	2.75	7.67	1.78
184T	1.10	6.50	5.17	2.75	7.67	1.78
213T	1.10	7.68	6.38	3.50	10.07	2.41
215T	1.10	7.68	6.38	3.50	10.07	2.41

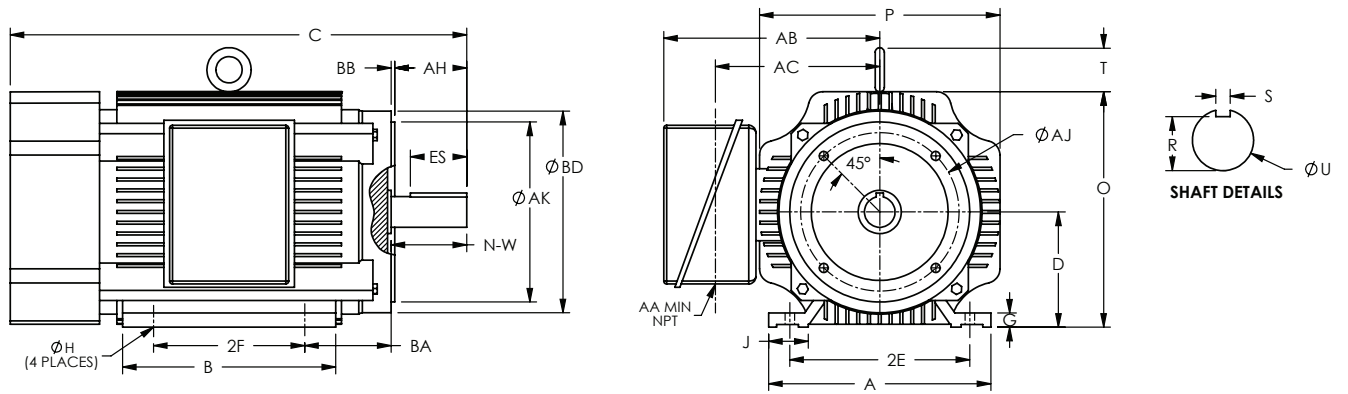
Dimensions subject to change without notice. Refer to factory for Certified drawing.

TH- Series Motors (Frame 250-440T/TS)



Motor Mounting Dimensions

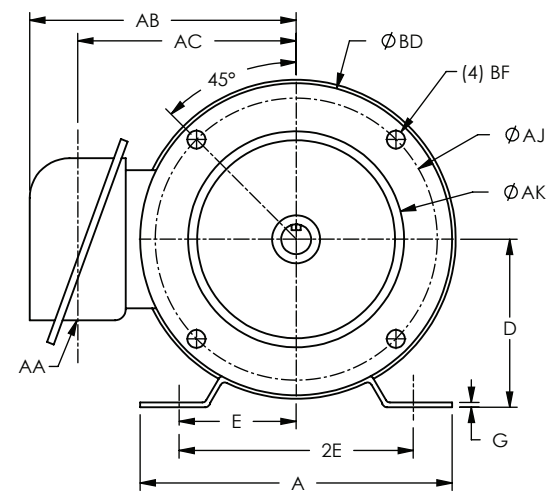
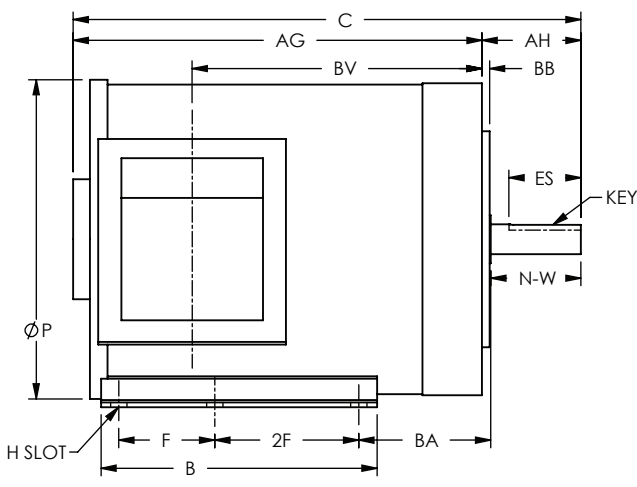
FRAME	E	F	H	BA	A	B	C	D	G	J	O	P	R	S	T	AA	AB	AC	N-W	U	D.E. BRG	O.D.E. BRG
254T	5.0	4.125	0.53	4.25	12.2	10.1	23.5	6.25	0.83	2.56	13.0	13.6	1.416	.375	2.4	1-1/4	11.0	8.6	4.00	1.625	6309	6309
256T	5.0	5.00	0.53	4.25	12.2	12.8	25.2	6.25	0.83	2.56	13.0	13.6	1.416	.375	2.4	1-1/4	11.0	8.6	4.00	1.625	6309	6309
284T	5.5	4.75	0.53	4.75	13.8	12.3	26.6	7.0	0.94	2.76	14.6	15.1	1.591	.500	2.4	1-1/2	13.4	10.0	4.62	1.875	6311	6311
284TS	5.5	4.75	0.53	4.75	13.8	12.3	25.2	7.0	0.94	2.76	14.6	15.1	1.416	.375	2.4	1-1/2	13.4	10.0	3.25	1.625	6311	6311
286T	5.5	5.50	0.53	4.75	13.8	13.8	28.1	7.0	0.94	2.76	14.6	15.1	1.591	.500	2.4	1-1/2	13.4	10.0	4.62	1.875	6311	6311
286TS	5.5	5.50	0.53	4.75	13.8	13.8	26.7	7.0	0.94	2.76	14.6	15.1	1.416	.375	2.4	1-1/2	13.4	10.0	3.25	1.625	6311	6311
324T	6.25	5.25	0.66	5.25	15.4	14.8	31.7	8.0	0.98	2.76	16.4	16.7	1.845	.500	2.5	2	15.0	10.9	5.25	2.125	6312	6312
324TS	6.25	5.25	0.66	5.25	15.4	14.8	30.2	8.0	0.98	2.76	16.4	16.7	1.591	.500	2.5	2	15.0	10.9	3.75	1.875	6312	6312
326T	6.25	6.00	0.66	5.25	15.4	16.3	33.3	8.0	0.98	2.76	16.4	16.7	1.845	.500	2.5	2	15.0	10.9	5.25	2.125	6312	6312
326TS	6.25	6.00	0.66	5.25	15.4	16.3	31.7	8.0	0.98	2.76	16.4	16.7	1.591	.500	2.5	2	15.0	10.9	3.75	1.875	6312	6312
364T	7.0	5.625	0.66	5.88	17.1	15.0	33.7	9.0	0.94	3.11	18.3	18.1	2.021	.625	2.5	3	17.5	12.9	5.88	2.375	6314	6314
364TS	7.0	5.625	0.66	5.88	17.1	15.0	31.5	9.0	0.94	3.11	18.3	18.1	1.591	.500	2.5	3	17.5	12.9	3.75	1.875	6314	6314
365T	7.0	6.125	0.66	5.88	17.1	17.4	37.1	9.0	0.94	3.11	18.3	18.1	2.021	.625	2.5	3	17.5	12.9	5.88	2.375	6314	6314
365TS	7.0	6.125	0.66	5.88	17.1	16.2	34.9	9.0	0.94	3.11	18.3	18.1	1.591	.500	2.5	3	17.5	12.9	3.75	1.875	6314	6314
404T	8.0	6.125	0.81	6.62	20.0	19.0	37.8	10.0	1.18	3.15	20.1	20.3	2.45	.750	2.5	3	18.8	12.2	7.25	2.875	6316	6316
404TS	8.0	6.125	0.81	6.62	20.0	19.0	34.8	10.0	1.18	3.15	20.1	20.3	1.845	.500	2.5	3	18.8	12.2	4.25	2.125	6316	6316
405T	8.0	6.875	0.81	6.62	20.0	19.0	39.2	10.0	1.18	3.15	20.1	20.3	2.45	.750	2.5	3	18.8	12.2	7.25	2.875	6316	6316
405TS	8.0	6.125	0.81	6.62	20.0	19.0	36.2	10.0	1.18	3.15	20.1	20.3	1.845	.500	2.5	3	18.8	12.2	4.25	2.125	6316	6316
444T	9.0	7.25	0.81	7.5	21.7	20.0	45.1	11.0	1.38	3.46	22.5	23.1	2.88	.875	3.7	3	19.7	14.8	8.50	3.375	NU318	NU318
444TS	9.0	8.25	0.81	7.5	21.7	20.0	41.4	11.0	1.38	3.46	22.5	23.1	2.021	.625	3.7	3	19.7	14.8	4.75	2.375	6316	6316
445T	9.0	8.25	0.81	7.5	21.7	20.0	45.1	11.0	1.38	3.46	22.5	23.1	2.88	.875	3.7	3	19.7	14.8	8.50	3.375	NU318	NU318
445TS	9.0	8.25	0.81	7.5	21.7	20.0	41.4	11.0	1.38	3.46	22.5	23.1	2.021	.625	3.7	3	19.7	14.8	4.75	2.375	6316	6316
447T	9.0	10.0	0.81	7.5	21.7	28.0	53.6	11.0	1.38	3.46	22.5	23.1	2.88	.875	3.7	3	19.7	14.8	8.50	3.375	NU320	NU320
447TS	9.0	12.5	0.81	7.5	21.7	28.0	50.0	11.0	1.38	3.46	22.5	23.1	2.021	.625	3.7	3	19.7	14.8	4.75	2.375	6316	6316
449T	9.0	12.5	0.81	7.5	21.7	28.0	53.6	11.0	1.38	3.46	22.5	23.1	2.88	.875	3.7	3	19.7	14.8	8.50	3.375	NU320	NU320
449TS	9.0	12.5	0.81	7.5	21.7	28.0	50.0	11.0	1.38	3.46	22.5	23.1	2.021	.625	3.7	3	19.7	14.8	4.75	2.375	6316	6316



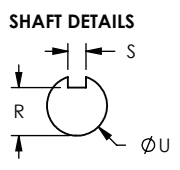
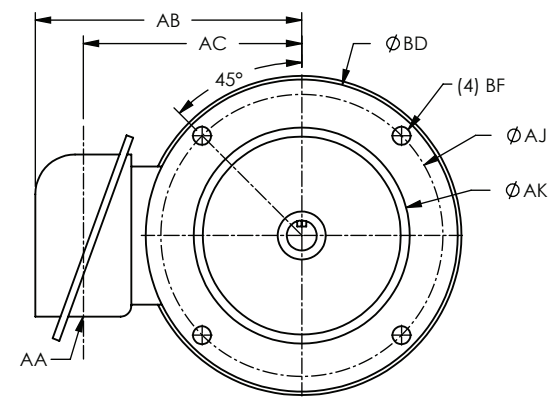
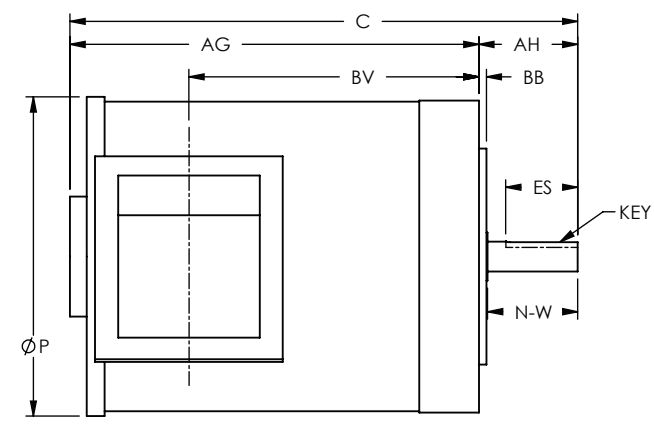
Motor C-Face Mounting Dimensions

FRAME	AJ	AK	BA	BB MIN	BD MAX	# OF TAPS	THREAD	DEPTH OF TAP	U	AH	R	ES	S
254TC.256TC	7.25	8.50	4.25	.25	9.00	4	1/2-13	0.75	1.625	3.75	1.416	2.91	0.375
284TC.286TC	9.00	10.50	4.75	.25	11.25	4	1/2-13	0.75	1.875	4.38	1.591	3.28	0.500
284TSC.286TSC	9.00	10.50	4.75	.25	11.25	4	1/2-13	0.75	1.625	3.00	1.416	1.91	0.375
324TC.326TC	11.00	12.50	5.25	.25	14.00	4	5/8-11	0.94	2.125	5.00	1.845	3.91	0.500
324TSC.326TSC	11.00	12.50	5.25	.25	14.00	4	5/8-11	0.94	1.875	3.50	1.591	2.03	0.500
364TC.365TC	11.00	12.50	5.88	.25	14.00	8	5/8-11	0.94	2.375	5.62	2.021	4.28	0.625
364TSC.365TSC	11.00	12.50	5.88	.25	14.00	8	5/8-11	0.94	1.875	3.50	1.591	2.03	0.500
404TC.405TC	11.00	12.50	6.62	.25	15.50	8	5/8-11	0.94	2.875	7.00	2.45	5.65	0.750
404TSC.405TSC	11.00	12.50	6.62	.25	15.50	8	5/8-11	0.94	2.125	4.00	1.845	2.78	0.500
444TC.445TC	14.00	16.00	7.50	.25	18.00	8	5/8-11	0.94	3.375	8.25	2.88	6.91	0.875
444TSC.445TSC	14.00	16.00	7.50	.25	18.00	8	5/8-11	0.94	2.375	4.50	2.021	3.03	0.625
447TC.449TC	14.00	16.00	7.50	.25	18.00	8	5/8-11	0.94	3.375	8.25	2.88	6.91	0.875
447TSC.449TSC	14.00	16.00	7.50	.25	18.00	8	5/8-11	0.94	2.375	4.50	2.021	3.03	0.625

C-Face TENV Rolled Steel Motors



FOOTLESS



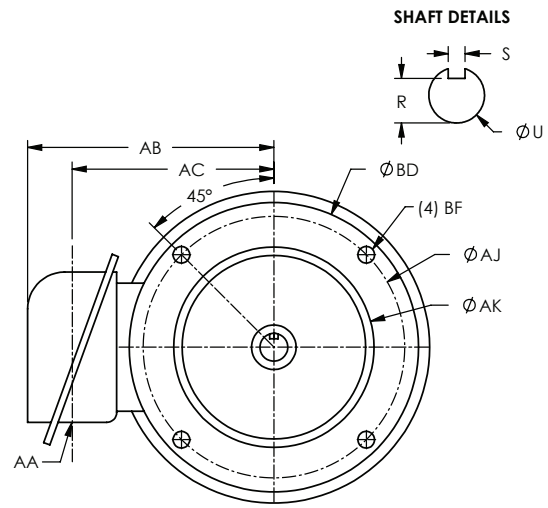
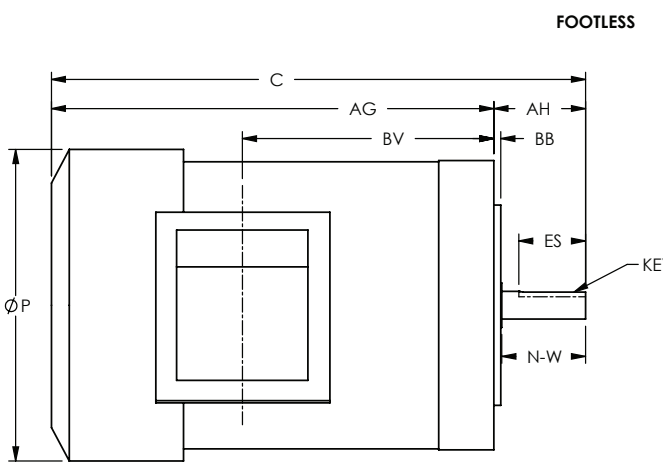
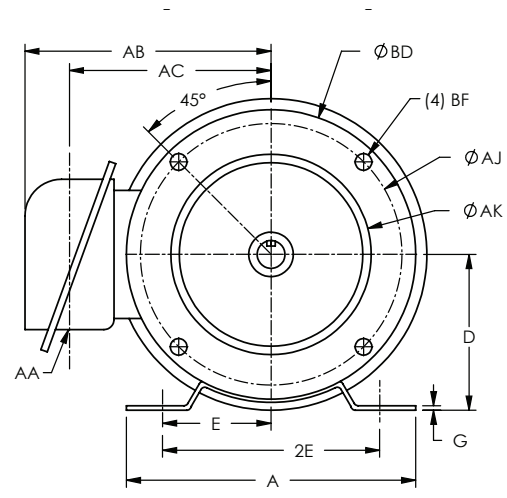
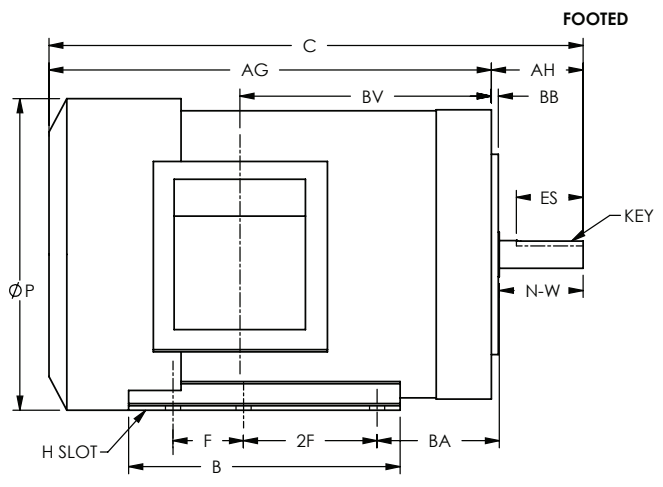
HP	RPM	FRAME	A	B	C	D	E	2E	F*	2F	G	H	N-W	P	R	S	U
0.50	3600 1800	56C	6.50	3.75	9.60	3.50	2.44	4.88	-	3.00	.10	.79 x .34	1.88	6.50	.517	.188	.625
0.75	3600 1800	56C	6.50	3.75 5.75	9.60 10.19	3.50	2.44	4.88	2.00	3.00	.10	.79 x .34	1.88	6.50	.517	.188	.625

*Alternate mounting on same base.

HP	RPM	FRAME	AA	AB	AC	AG	AH	AJ	AK	BA	BB	BD	BF	BV	ES
0.50	3600 1800	56C	.87	5.53	4.25	7.54	2.06	5.88	4.50	2.75	.16	6.50	3/8-16	5.06	1.41
0.75	3600 1800	56C	.87	5.53	4.25	7.54 8.13	2.06	5.88	4.50	2.75	.16	6.50	3/8-16	5.06 5.65	1.41

Dimensions subject to change without notice. Refer to factory for Certified drawing.

C-Face TEFC Rolled Steel Motors Frame (56C-140TC)



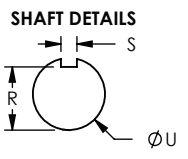
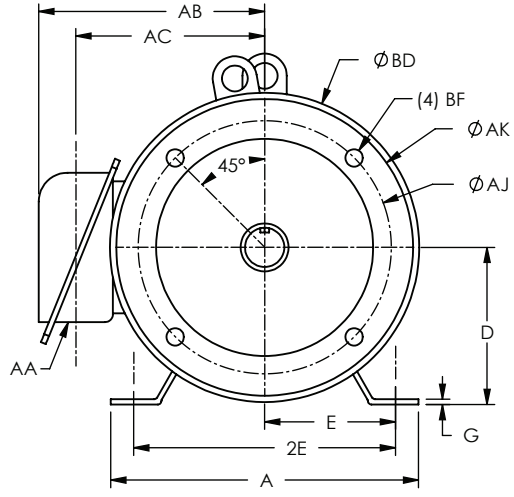
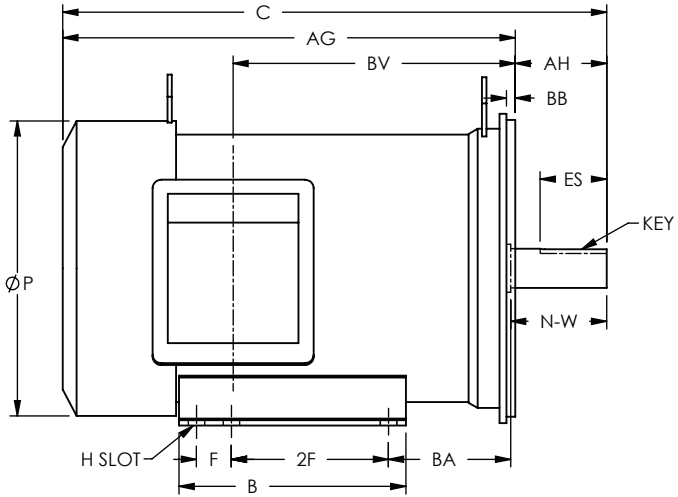
HP	RPM	FRAME	A	B	C	D	E	2E	F*	2F	G	H	N-W	P	R	S	U
1.0	3600 1800	56C	6.50	3.74 5.75	11.37 11.96	3.50	2.44	4.88	2.00	3.00	.10	.79 x .34	1.88	7.02	.517	.188	.625
	3600 1800	143TC	6.96	6.10	12.02	3.50	2.75	5.50	1.00	4.00	.10	.79 x .34	2.25	7.02	.771	.188	.875
1.5	3600 1800	56C	6.50	5.75	12.36	3.50	2.44	4.88	2.00	3.00	.10	.79 x .34	1.88	7.02	.517	.188	.625
	3600 1800	145TC	6.96	6.10	12.42 13.01	3.50	2.75	5.50	1.00	4.00	.10	.79 x .34	2.25	7.02	.771	.188	.875
2.0	3600 1800	56C	6.50	5.75	12.95	3.50	2.44	4.88	2.00	3.00	.10	.79 x .34	1.88	7.02	.517	.188	.625
	3600 1800	145TC	6.96	6.10	13.01 13.60	3.50	2.75	5.50	1.00	4.00	.10	.79 x .34	2.25	7.02	.771	.188	.875

*Alternate mounting on same base.

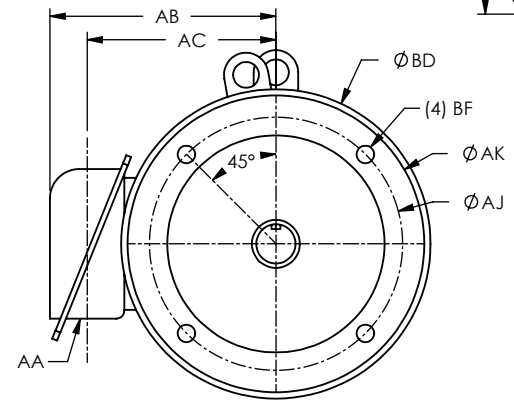
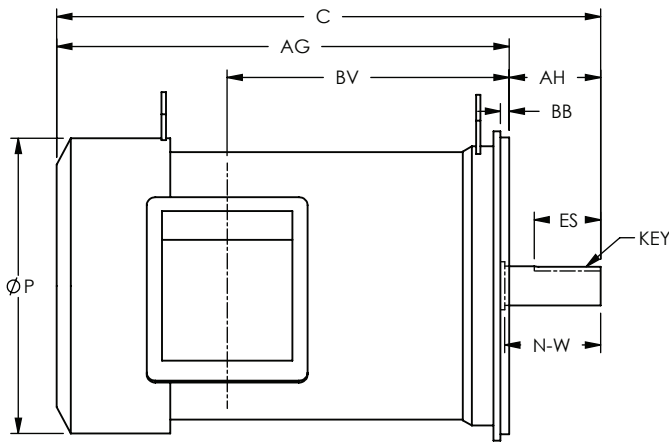
HP	RPM	FRAME	AA	AB	AC	AG	AH	AJ	AK	BA	BB	BD	BF	BV	ES
1.0	3600 1800	56C	.87	5.55	4.25	9.31 9.9	2.06	5.88	4.50	2.75	.16	6.50	3/8-16	5.06 5.65	1.41
	3600 1800	143TC	.87	5.55	4.25	9.90	2.12	5.88	4.50	2.75	.16	6.50	3/8-16	5.65	1.41
1.5	3600 1800	56C	.87	5.55	4.25	10.30	2.06	5.88	4.50	2.75	.16	6.50	3/8-16	6.05	1.41
	3600 1800	145TC	.87	5.55	4.25	10.30	2.12	5.88	4.50	2.75	.16	6.50	3/8-16	6.05	1.41
2.0	3600 1800	56C	.87	5.55	4.25	10.89	2.06	5.88	4.50	2.75	.16	6.50	3/8-16	6.64	1.41
	3600 1800	145TC	.87	5.55	4.25	10.89	2.12	5.88	4.50	2.75	.16	6.50	3/8-16	6.64	1.41

Dimensions subject to change without notice. Refer to factory for Certified drawing.

C-Face TEFC Rolled Steel Motors Frame (180-210TC)



FOOTLESS



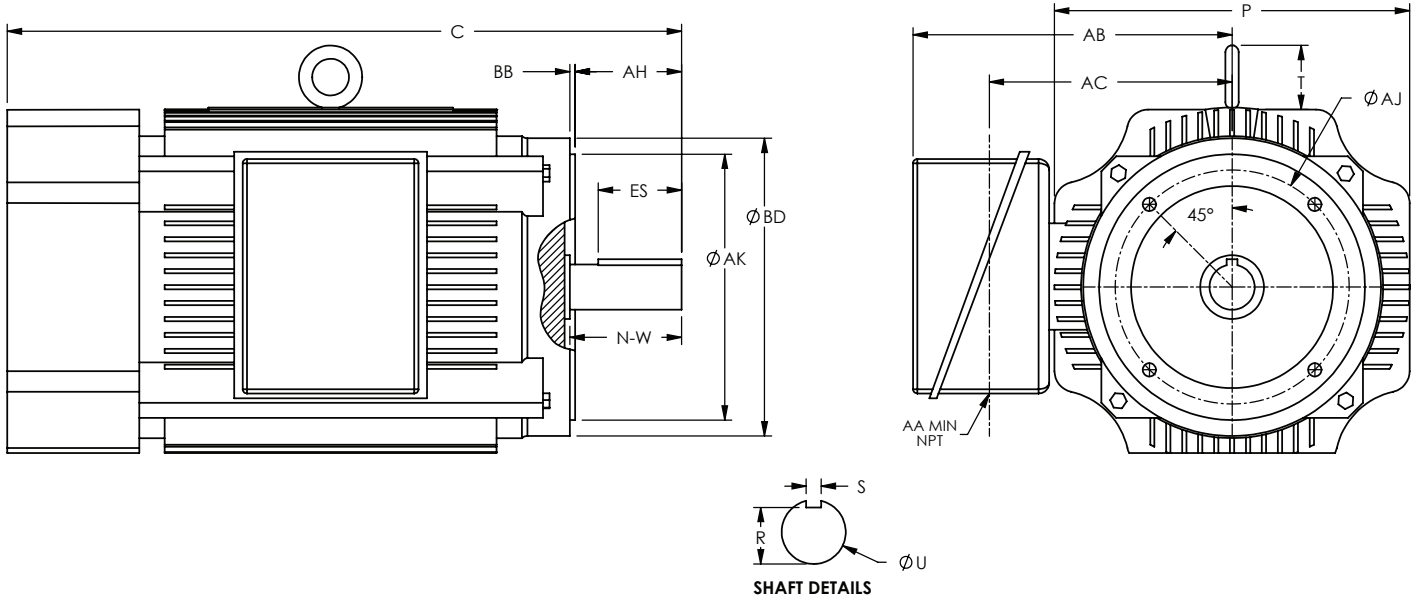
FRAME	A	B	C	D	E	2E	F*	2F	G	H	N-W	P	R	S	U
182TC	8.82	6.50	16.37	4.50	3.75	7.50	1.00	4.50	.15	.71 x .47	2.75	8.45	0.986	.250	1.125
184TC	8.82	6.50	17.16	4.50	3.75	7.50	1.00	4.50	.15	.71 x .47	2.75	8.45	0.986	.250	1.125
213TC	10.32	7.32	18.51	5.25	4.25	8.50	-	5.50	.20	.71 x .47	3.38	10.77	1.201	.31	1.375
215TC	10.32	9.30	19.10	5.25	4.25	8.50	1.50	5.50	.20	.71 x .47	3.38	10.77	1.201	.31	1.375

*Alternate mounting on same base.
 ** All motors shown at longest frame length

FRAME	AA	AB	AC	AG	AH	AJ	AK	BA	BB	BD	BF	BV	ES
182TC	1.10	6.50	5.17	12.97	2.62	7.25	8.50	3.50	.25	8.86	1/2-13	8.08	1.78
184TC	1.10	6.50	5.17	13.75	2.62	7.25	8.50	3.50	.25	8.86	1/2-13	8.67	1.78
213TC	1.10	7.68	6.38	14.80	3.12	7.25	8.50	4.25	.25	9.00	1/2-13	9.33	2.41
215TC	1.10	7.68	6.38	15.98	3.12	7.25	8.50	4.25	.25	9.00	1/2-13	10.50	2.41

Dimensions subject to change without notice. Refer to factory for Certified drawing.

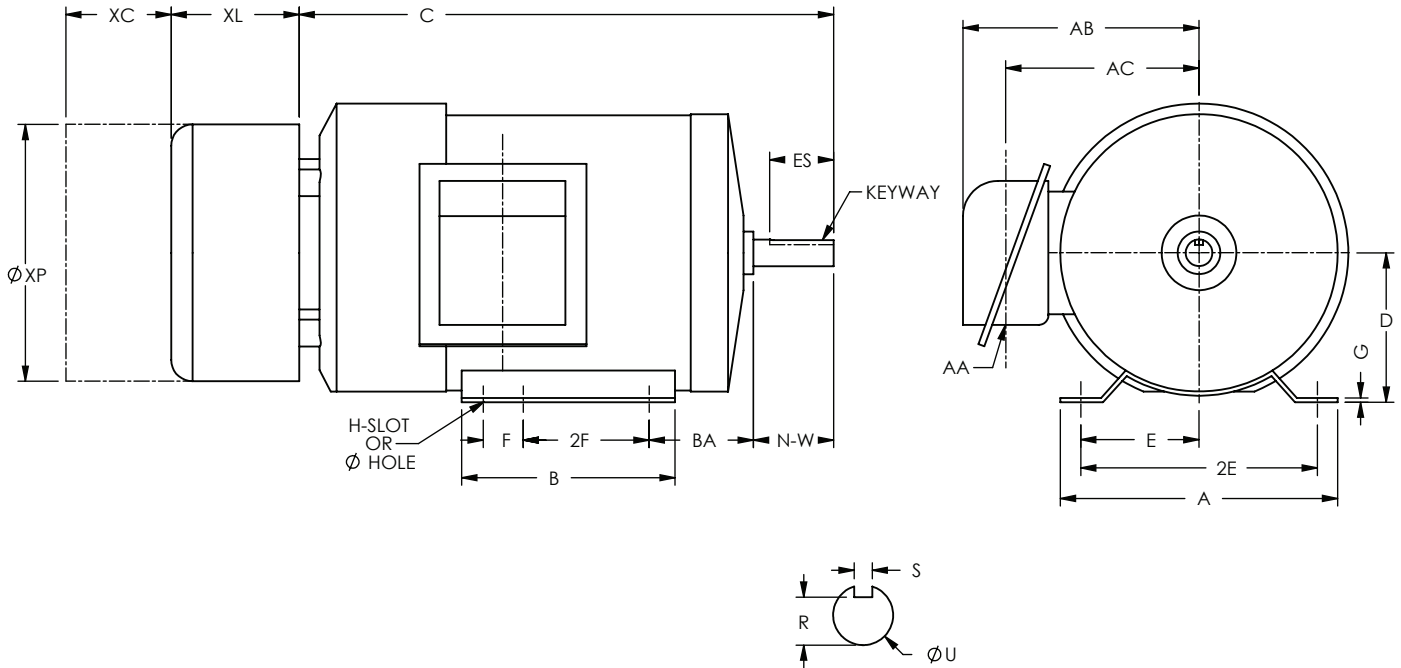
C-Face Footless TH-Series Motors Frame (250-440TC)



Motor C-Face Mounting Dimensions

FRAME	AJ	AK	BB MIN	BD MAX	# TAPS	THREAD	TAP DEPTH	C	P	U	AH	R	ES	S	T	AA	AB	AC	N-W	D.E. BRG	O.D.E. BRG
254TC	7.25	8.50	0.25	9.00	4	1/2-13	0.75	23.5	13.6	1.625	3.75	1.416	2.91	0.375	2.4	1-1/4	11.0	8.6	4.00	6309	6309
256TC	7.25	8.50	0.25	9.00	4	1/2-13	0.75	25.2	13.6	1.625	3.75	1.416	2.91	0.375	2.4	1-1/4	11.0	8.6	4.00	6309	6309
284TC	9.00	10.50	0.25	11.25	4	1/2-13	0.75	26.6	15.1	1.875	4.38	1.591	3.28	0.500	2.4	1-1/2	13.4	10.0	4.62	6311	6311
284TSC	9.00	10.50	0.25	11.25	4	1/2-13	0.75	25.2	15.1	1.625	3.00	1.416	1.91	0.375	2.4	1-1/2	13.4	10.0	3.25	6311	6311
286TC	9.00	10.50	0.25	11.25	4	1/2-13	0.75	28.1	15.1	1.875	4.38	1.591	3.28	0.500	2.4	1-1/2	13.4	10.0	4.62	6311	6311
286TSC	9.00	10.50	0.25	11.25	4	1/2-13	0.75	26.7	15.1	1.625	3.00	1.416	1.91	0.375	2.4	1-1/2	13.4	10.0	3.25	6311	6311
324TC	11.00	12.50	0.25	14.00	4	5/8-11	0.94	31.7	16.7	2.125	5.00	1.845	3.91	0.500	2.5	2	15.0	10.9	5.25	6312	6312
324TSC	11.00	12.50	0.25	14.00	4	5/8-11	0.94	30.2	16.7	1.875	3.50	1.591	2.03	0.500	2.5	2	15.0	10.9	3.75	6312	6312
326TC	11.00	12.50	0.25	14.00	4	5/8-11	0.94	33.3	16.7	2.125	5.00	1.845	3.91	0.500	2.5	2	15.0	10.9	5.25	6312	6312
326TSC	11.00	12.50	0.25	14.00	4	5/8-11	0.94	31.7	16.7	1.875	3.50	1.591	2.03	0.500	2.5	2	15.0	10.9	3.75	6312	6312
364TC	11.00	12.50	0.25	14.00	8	5/8-11	0.94	33.7	18.1	2.375	5.62	2.021	4.28	0.625	2.5	3	17.5	12.9	5.88	6314	6314
364TSC	11.00	12.50	0.25	14.00	8	5/8-11	0.94	31.5	18.1	1.875	3.50	1.591	2.03	0.500	2.5	3	17.5	12.9	3.75	6314	6314
365TC	11.00	12.50	0.25	14.00	8	5/8-11	0.94	37.1	18.1	2.375	5.62	2.021	4.28	0.625	2.5	3	17.5	12.9	5.88	6314	6314
365TSC	11.00	12.50	0.25	14.00	8	5/8-11	0.94	34.9	18.1	1.875	3.50	1.591	2.03	0.500	2.5	3	17.5	12.9	3.75	6314	6314
404TC	11.00	12.50	0.25	15.50	8	5/8-11	0.94	37.8	20.3	2.875	7.00	2.45	5.65	0.750	2.5	3	18.8	12.2	7.25	6316	6316
404TSC	11.00	12.50	0.25	15.50	8	5/8-11	0.94	34.8	20.3	2.125	4.00	1.845	2.78	0.500	2.5	3	18.8	12.2	4.25	6316	6316
405TC	11.00	12.50	0.25	15.50	8	5/8-11	0.94	39.2	20.3	2.875	7.00	2.45	5.65	0.750	2.5	3	18.8	12.2	7.25	6316	6316
405TSC	11.00	12.50	0.25	15.50	8	5/8-11	0.94	36.2	20.3	2.125	4.00	1.845	2.78	0.500	2.5	3	18.8	12.2	4.25	6316	6316
444TC	14.00	16.00	0.25	18.00	8	5/8-11	0.94	45.1	23.1	3.375	8.25	2.88	6.91	0.875	3.7	3	19.7	14.8	8.50	NU318	NU318
444TSC	14.00	16.00	0.25	18.00	8	5/8-11	0.94	41.4	23.1	2.375	4.50	2.021	3.03	0.625	3.7	3	19.7	14.8	4.75	6316	6316
445TC	14.00	16.00	0.25	18.00	8	5/8-11	0.94	45.1	23.1	3.375	8.25	2.88	6.91	0.875	3.7	3	19.7	14.8	8.50	NU318	NU318
445TSC	14.00	16.00	0.25	18.00	8	5/8-11	0.94	41.4	23.1	2.375	4.50	2.021	3.03	0.625	3.7	3	19.7	14.8	4.75	6316	6316
447TC	14.00	16.00	0.25	18.00	8	5/8-11	0.94	53.6	23.1	3.375	8.25	2.88	6.91	0.875	3.7	3	19.7	14.8	8.50	NU320	NU320
447TSC	14.00	16.00	0.25	18.00	8	5/8-11	0.94	50.0	23.1	2.375	4.50	2.021	3.03	0.625	3.7	3	19.7	14.8	4.75	6316	6316
449TC	14.00	16.00	0.25	18.00	8	5/8-11	0.94	53.6	23.1	3.375	8.25	2.88	6.91	0.875	3.7	3	19.7	14.8	8.50	NU320	NU320
449TSC	14.00	16.00	0.25	18.00	8	5/8-11	0.94	50.0	23.1	2.375	4.50	2.021	3.03	0.625	3.7	3	19.7	14.8	4.75	6316	6316

TEFC Foot Mounted Brake Motors Frame (140T-256T)



SHAFT DETAILS

FRAME	A	B	C	D	E	2E	F*	2F	G	H	P	R	S	U	AA	AB	AC	BA	ES	N-W
143T	6.96	6.10	12.82	3.50	2.75	5.50	1.00	4.00	.10	.79 x .34	7.18	0.771	.188	.875	.87	5.55	4.29	2.25	1.41	2.25
145T	6.96	6.10	14.40	3.50	2.75	5.50	1.00	4.00	.10	.79 x .34	7.18	0.771	.188	.875	.87	5.55	4.29	2.25	1.41	2.25
182T	8.82	6.50	17.05	4.50	3.75	7.50	1.00	4.50	.15	.71 x .47	8.82	0.986	.250	1.125	1.10	6.50	5.17	2.75	1.78	2.75
184T	8.82	6.50	17.25	4.50	3.75	7.50	1.00	4.50	.15	.71 x .47	8.82	0.986	.250	1.125	1.10	6.50	5.17	2.75	1.78	2.75
213T	10.32	7.32	18.97	5.25	4.25	8.50	-	5.50	.20	.71 x .47	11.18	1.201	.312	1.375	1.10	7.68	6.38	3.50	2.41	3.38
215T	10.32	7.32	20.05	5.25	4.25	8.50	1.50	5.50	.20	.71 x .47	11.18	1.201	.312	1.375	1.10	7.68	6.38	3.50	2.41	3.38
254T	12.2	10.1	25.29	6.25	5.00	10.0	-	8.25	.83	Ø0.53	13.6	1.416	.375	1.625	1.25" NPT	11.0	9.0	4.25	2.91	4.00
256T	12.2	12.8	27.02	6.25	5.00	10.0	-	10.0	.83	Ø0.53	13.6	1.416	.375	1.625	1.25" NPT	11.0	9.0	4.25	2.91	4.00

*Alternate mounting on same base.

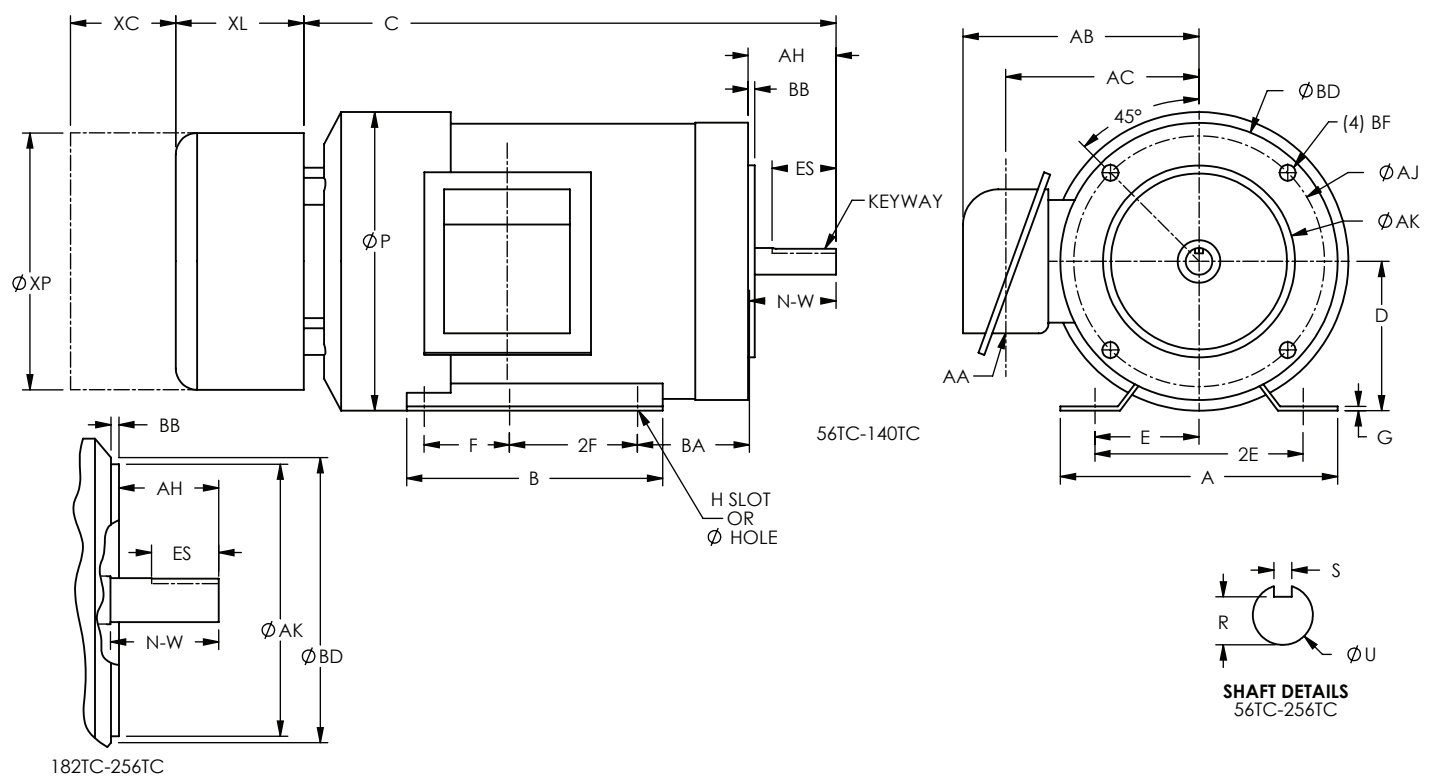
BRAKE INFO									
FRAME	FT. LB.	STANDARD ENCLOSURE	XC*	XL	XP	WT/DT ENCLOSURE	XC*	XL	XP
B140T	3	56,000 SERIES	2.94	4.06	6.54	56,000 SERIES	2.94	4.06	6.54
B140T	6	56,000 SERIES	2.94	4.06	6.54	56,000 SERIES	2.94	4.06	6.54
B140T	10	56,000 SERIES	2.94	4.06	6.54	56,000 SERIES	2.94	4.06	6.54
B140/180T	15	56,000 SERIES	2.94	4.06	6.54	56,000 SERIES	2.94	4.06	6.54
B180T	25	56,000 SERIES	2.94	4.50	6.54	56,000 SERIES	2.94	4.51	6.54
B210T	25	87,000 SERIES	4.63	7.57	9.00	87,000 SERIES	4.69	7.75	9.00
B210T	35	87,000 SERIES	4.63	7.57	9.00	87,000 SERIES	4.69	7.75	9.00
B210T	50	87,000 SERIES	4.63	8.07	9.00	87,000 SERIES	4.69	8.25	9.00
B250T	75	87,000 SERIES	4.63	8.07	9.00	87,000 SERIES	4.69	8.25	9.00
B250T	100	87,000 SERIES	4.63	8.56	9.00	87,000 SERIES	4.69	8.56	9.00

*Clearance required to remove brake cover.
All brake dimensions given are with Stearns Brakes.

Dimensions subject to change without notice. Refer to factory for Certified drawing.

** All motors shown at longest frame length
*** 250 and above motors will be cast iron ribbed

C-Face Foot Mounted TEFC Brake Motors Frame (140TC-256TC)



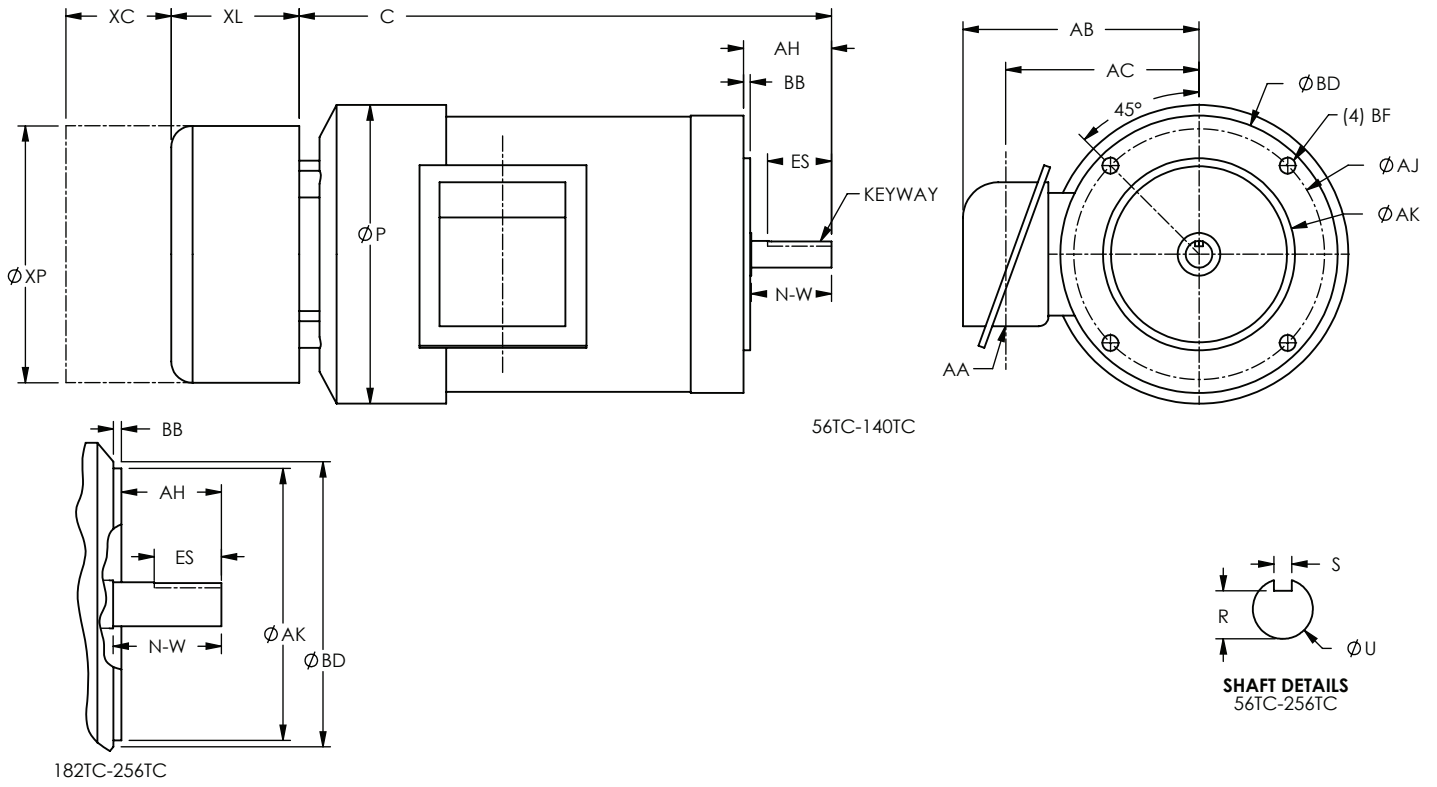
FRAME	A	B	C	D	E	F	2F	G	H	P	R	S	U	AA	AB	AC	AH	AJ	AK	BA	BB	BD	BF	ES	N-W
143TC	6.96	6.10	12.82	3.50	2.75	1.00	4.00	.10	.79x.34	7.18	0.771	.188	.875	.87	5.55	4.29	2.12	5.88	4.50	2.75	.16	6.50	3/8-16	1.41	2.25
145TC	6.96	6.10	14.40	3.50	2.75	1.00	4.00	.10	.79x.34	7.18	0.771	.188	.875	.87	5.55	4.29	2.12	5.88	4.50	2.75	.16	6.50	3/8-16	1.41	2.25
182TC	8.82	6.50	17.00	4.50	3.75	1.00	4.50	.15	.71x.47	8.82	0.986	.250	1.125	1.10	6.50	5.17	2.62	7.25	8.50	3.50	.25	8.86	1/2-13	1.78	2.75
184TC	8.82	6.50	17.34	4.50	3.75	1.00	4.50	.15	.71x.47	8.82	0.986	.250	1.125	1.10	6.50	5.17	2.62	7.25	8.50	3.50	.25	8.86	1/2-13	1.78	2.75
213TC	10.32	7.32	18.96	5.25	4.25	-	5.50	.20	.71x.47	11.18	1.201	.312	1.375	1.10	7.68	6.38	3.12	7.25	8.50	4.25	.25	9.00	1/2-13	2.41	3.38
215TC	10.32	9.30	20.14	5.25	4.25	1.50	5.50	.20	.71x.47	11.18	1.201	.312	1.375	1.10	7.68	6.38	3.12	7.25	8.50	4.25	.25	9.00	1/2-13	2.41	3.38
254TC	12.2	10.1	25.29	6.25	5.00	-	8.25	.83	$\phi 0.53$	13.6	1.416	.375	1.625	1.25" NPT	11.0	9.0	3.75	7.25	8.50	4.25	.25	9.00	1/2-13	2.91	4.00
256TC	12.2	12.8	27.02	6.25	5.00	-	10.0	.83	$\phi 0.53$	13.6	1.416	.375	1.625	1.25" NPT	11.0	9.0	3.75	7.25	8.50	4.25	.25	9.00	1/2-13	2.91	4.00

BRAKE INFO									
FRAME	FT. LB.	STANDARD ENCLOSURE	XC*	XL	XP	WT/DT ENCLOSURE	XC*	XL	XP
B140TC	3	56,000 SERIES	2.94	4.06	6.54	56,000 SERIES	2.94	4.06	6.54
B140TC	6	56,000 SERIES	2.94	4.06	6.54	56,000 SERIES	2.94	4.06	6.54
B140TC	10	56,000 SERIES	2.94	4.06	6.54	56,000 SERIES	2.94	4.06	6.54
B140/180TC	15	56,000 SERIES	2.94	4.06	6.54	56,000 SERIES	2.94	4.06	6.54
B180TC	25	56,000 SERIES	2.94	4.50	6.54	56,000 SERIES	2.94	4.51	6.54
B210TC	25	87,000 SERIES	4.63	7.57	9.00	87,000 SERIES	4.69	7.75	9.00
B210TC	35	87,000 SERIES	4.63	7.57	9.00	87,000 SERIES	4.69	7.75	9.00
B210TC	50	87,000 SERIES	4.63	8.07	9.00	87,000 SERIES	4.69	8.25	9.00
B250TC	75	87,000 SERIES	4.63	8.07	9.00	87,000 SERIES	4.69	8.25	9.00
B250TC	105	87,000 SERIES	4.63	8.56	9.00	87,000 SERIES	4.69	8.56	9.00

*Clearance required to remove brake cover.
 All brake dimensions given are with Stearns Brakes.

Dimensions subject to change without notice. Refer to factory for Certified drawing.
 ** All motors shown at longest frame length
 *** 250 and above motors will be cast iron ribbed

C-Face Footless TEFC Brake Motors Frame (140TC-256TC)



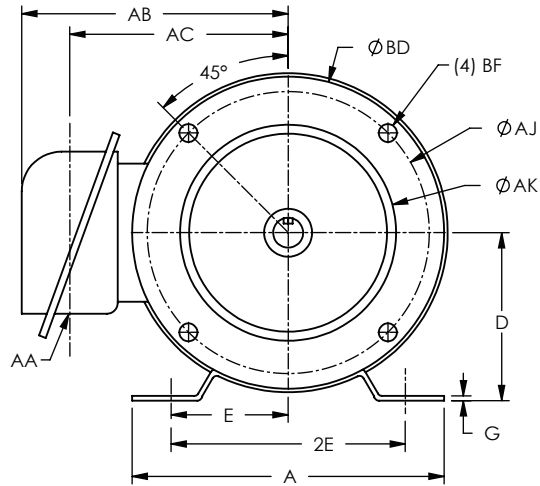
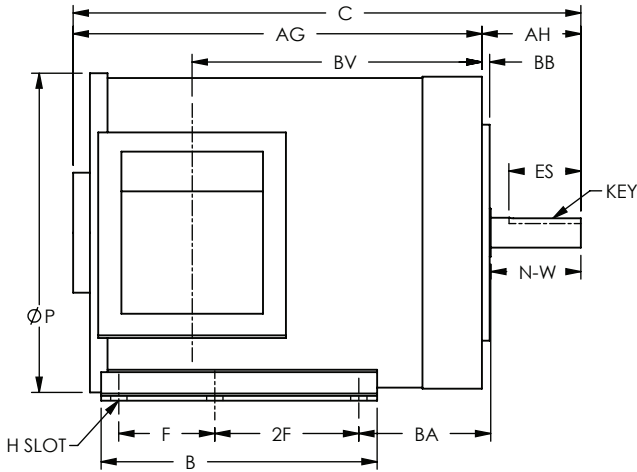
FRAME	C	P	R	S	U	AA	AB	AC	AH	AJ	AK	BB	BD	BF	ES	N-W
143TC	13.81	7.18	0.771	.188	.875	.87	5.55	4.29	2.12	5.88	4.50	.16	6.50	3/8-16	1.41	2.25
145TC	15.00	7.18	0.771	.188	.875	.87	5.55	4.29	2.12	5.88	4.50	.16	6.50	3/8-16	1.41	2.25
182TC	17.00	8.82	0.986	.250	1.125	1.10	6.50	5.17	2.62	7.25	8.50	.25	8.86	1/2-13	1.78	2.75
184TC	17.85	8.82	0.986	.250	1.125	1.10	6.50	5.17	2.62	7.25	8.50	.25	8.86	1/2-13	1.78	2.75
213TC	19.55	11.18	1.201	.312	1.375	1.10	7.68	6.38	3.12	7.25	8.50	.25	9.00	1/2-13	2.41	3.38
215TC	20.05	11.18	1.201	.312	1.375	1.10	7.68	6.38	3.12	7.25	8.50	.25	9.00	1/2-13	2.41	3.38
254TC	25.29	13.6	1.416	.375	1.625	1.25" NPT	11.0	9.0	3.75	7.25	8.50	.25	9.00	1/2-13	2.91	4.00
256TC	27.02	13.6	1.416	.375	1.625	1.25" NPT	11.0	9.0	3.75	7.25	8.50	.25	9.00	1/2-13	2.91	4.00

BRAKE INFO									
FRAME	FT. LB.	STANDARD ENCLOSURE	XC*	XL	XP	WT/DT ENCLOSURE	XC*	XL	XP
B140TC	3	56,000 SERIES	2.94	4.06	6.54	56,000 SERIES	2.94	4.06	6.54
B140TC	6	56,000 SERIES	2.94	4.06	6.54	56,000 SERIES	2.94	4.06	6.54
B140TC	10	56,000 SERIES	2.94	4.06	6.54	56,000 SERIES	2.94	4.06	6.54
B140/180TC	15	56,000 SERIES	2.94	4.06	6.54	56,000 SERIES	2.94	4.06	6.54
B180TC	25	56,000 SERIES	2.94	4.50	6.54	56,000 SERIES	2.94	4.51	6.54
B210TC	25	87,000 SERIES	4.63	7.57	9.00	87,000 SERIES	4.69	7.75	9.00
B210TC	35	87,000 SERIES	4.63	7.57	9.00	87,000 SERIES	4.69	7.75	9.00
B210TC	50	87,000 SERIES	4.63	8.07	9.00	87,000 SERIES	4.69	8.25	9.00
B250TC	75	87,000 SERIES	4.63	8.07	9.00	87,000 SERIES	4.69	8.25	9.00
B250TC	105	87,000 SERIES	4.63	8.56	9.00	87,000 SERIES	4.69	8.56	9.00

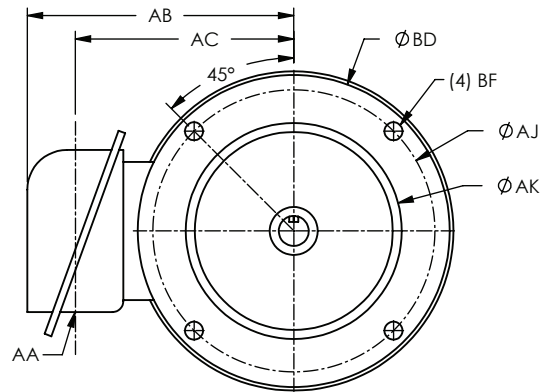
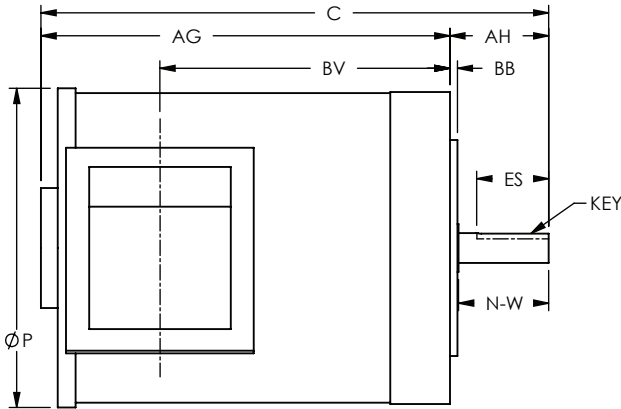
*Clearance required to remove brake cover.
All brake dimensions given are with Stearns Brakes.

Dimensions subject to change without notice. Refer to factory for Certified drawing.
** All motors shown at longest frame length
*** 250 and above motors will be cast iron ribbed

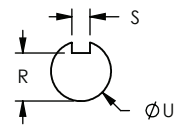
Stainless Steel C-Face TENV Motors



FOOTLESS



SHAFT DETAILS



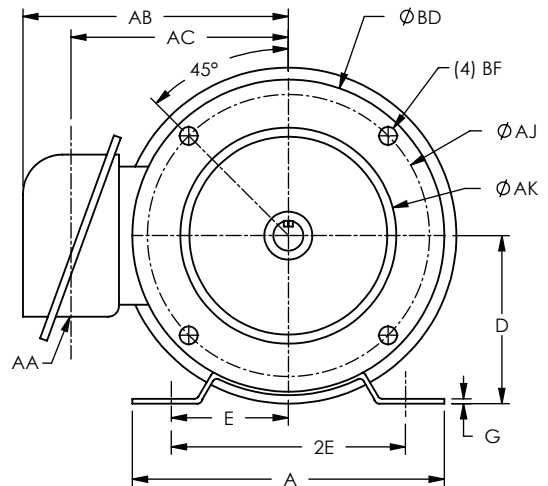
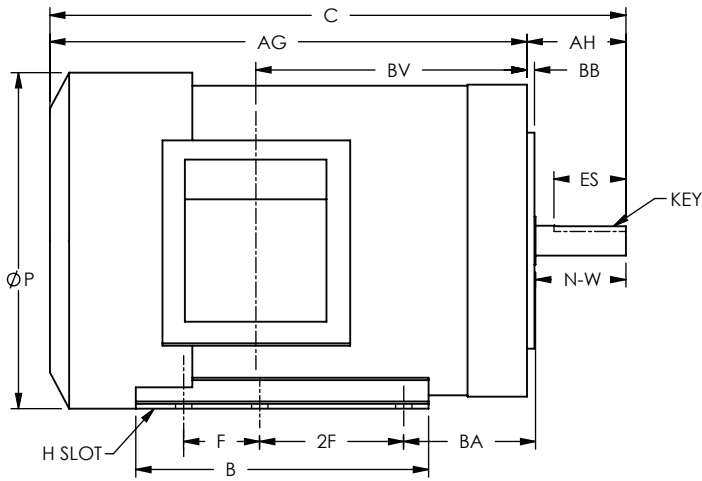
HP	POLES	FRAME	A	B	C	D	E	2E	F*	2F	G	H	N-W	P	R	S	U
0.33	2/4	56C	6.50	3.75	9.52	3.50	2.44	4.88	-	3.00	.10	.79 x .34	1.88	6.50	.517	.188	.625
0.50	2/4	56C	6.50	3.75 5.75	9.52 10.20	3.50	2.44	4.88	2.00	3.00	.10	.79 x .34	1.88	6.50	.517	.188	.625
0.75	2/4	56C	6.50	5.75	10.20 11.18	3.50	2.44	4.88	2.00	3.00	.10	.79 x .34	1.88	6.50	.517	.188	.625
1.00	2/4	56C	6.50	5.75	11.18	3.50	2.44	4.88	2.00	3.00	.10	.19 x .34	1.88	6.50	.517	.188	.625

*Alternate mounting on same base.

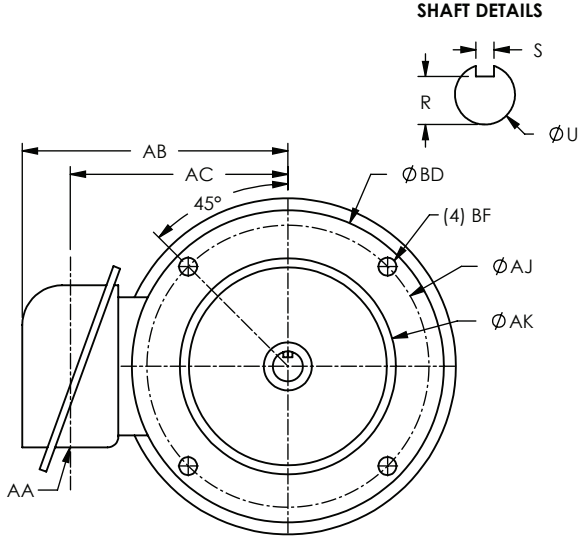
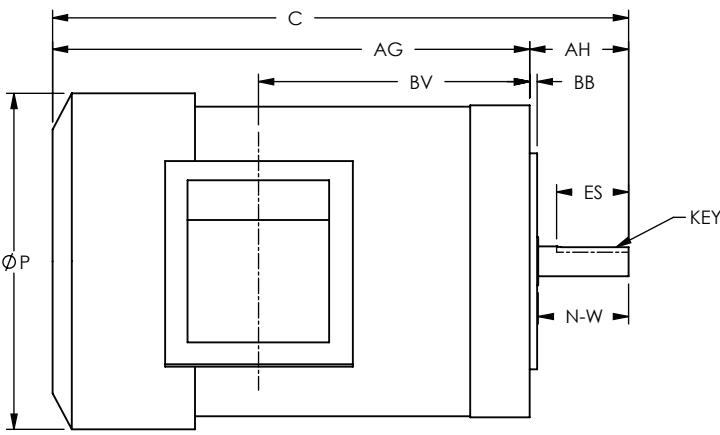
HP	RPM	FRAME	AA	AB	AC	AG	AH	AJ	AK	BA	BB	BD	BF	BV	ES
0.33	2/4	56C	.87	5.53	4.25	7.46	2.06	5.88	4.50	2.75	.16	6.50	3/8-16	4.55	1.41
0.50	2/4	56C	.87	5.55	4.25	7.46 8.14	2.06	5.88	4.50	2.75	.16	6.50	3/8-16	4.55 5.65	1.41
0.75	2/4	56C	.87	5.55	4.25	8.14 9.12	2.06	5.88	4.50	2.75	.16	6.50	3/8-16	5.65 6.04	1.41
1.00	2/4	56C	.87	5.55	4.25	9.12	2.06	5.88	4.50	2.75	.16	6.50	3/8-16	6.04	1.41

Dimensions subject to change without notice. Refer to factory for Certified drawing.

Stainless Steel C-Face TEFC Motors Frame (56C-140TC)



FOOTLESS



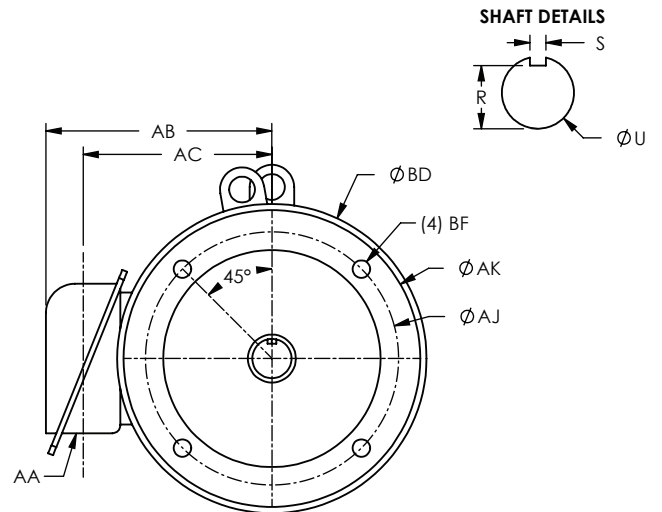
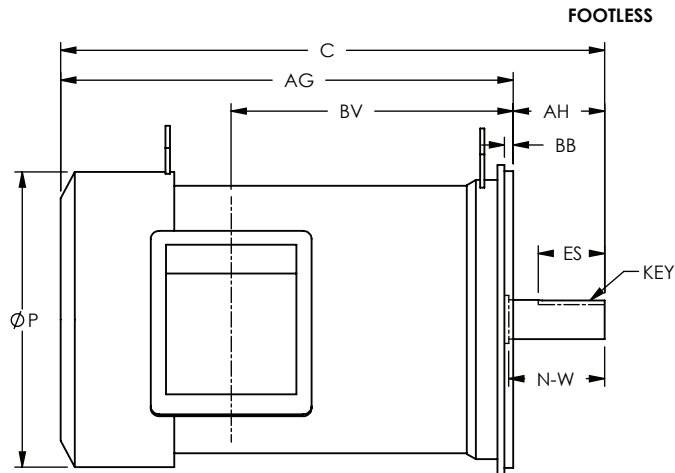
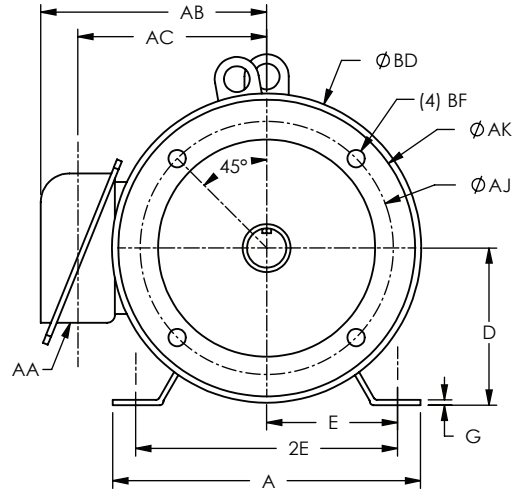
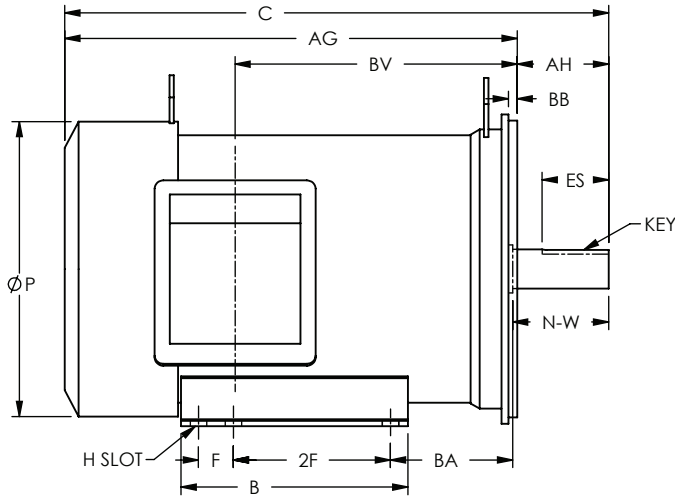
HP	POLES	FRAME	A	B	C	D	E	2E	F*	2F	G	H	N-W	P	R	S	U
1.0	2/4	56C	6.50	6.10	12.24	3.50	2.44	4.88	2.00	3.00	.10	.79 x .34	1.88	7.00	.517	.188	.625
	2/4	143TC	6.96	6.10	12.34	3.50	2.75	5.50	1.00	4.00	.10	.79 x .34	2.25	7.02	.771	.188	.875
1.5	2/4	56C	6.50	6.10	13.54	3.50	2.44	4.88	2.00	3.00	.10	.79 x .34	1.88	7.00	.517	.188	.625
	2/4	145TC	6.96	6.10	13.60	3.50	2.75	5.50	1.00	4.00	.10	.79 x .34	2.25	7.02	.771	.188	.875
2.0	2/4	56C	6.50	6.10	13.91	3.50	2.44	4.88	2.00	3.00	.10	.79 x .34	1.88	7.00	.517	.188	.625
	2/4	145TC	6.96	6.10	13.97	3.50	2.75	5.50	1.00	4.00	.10	.79 x .34	2.25	7.02	.771	.188	.875

*Alternate mounting on same base.
 ** All motors shown at longest frame length.

HP	POLES	FRAME	AA	AB	AC	AG	AH	AJ	AK	BA	BB	BD	BF	BV	ES
1.0	2/4	56C	.87	5.53	4.25	10.18	2.06	5.88	4.50	2.75	.16	6.50	3/8-16	7.71	1.41
	2/4	143TC	.87	5.55	4.25	10.22	2.12	5.88	4.50	2.75	.16	6.50	3/8-16	5.93	1.41
1.5	2/4	56C	.87	5.55	4.25	11.48	2.06	5.88	4.50	2.75	.16	6.50	3/8-16	7.71	1.41
	2/4	145TC	.87	5.55	4.25	11.48	2.12	5.88	4.50	2.75	.16	6.50	3/8-16	6.32	1.41
2.0	2/4	56C	.87	5.55	4.25	11.85	2.06	5.88	4.50	2.75	.16	6.50	3/8-16	6.04	1.41
	2/4	145TC	.87	5.55	4.25	11.85	2.12	5.88	4.50	2.75	.16	6.50	3/8-16	6.91 6.32	1.41

Dimensions subject to change without notice. Refer to factory for Certified drawing.

Stainless Steel C-Face TEFC Motors Frame (180TC-280TC)



FRAME	A	B	C	D	E	2E	F*	2F	G	H	N-W	P	R	S	U
182TC	8.82	6.50	16.57	4.50	3.75	7.50	1.00	4.50	.15	.71 x .47	2.75	8.45	0.986	.250	1.125
184TC	8.82	6.50	17.36	4.50	3.75	7.50	1.00	4.50	.15	.71 x .47	2.75	8.45	0.986	.250	1.125
213TC	10.32	7.32	17.92	5.25	4.25	8.50	-	5.50	.20	.71 x .47	3.38	10.77	1.201	.31	1.375
215TC	10.32	9.30	19.21	5.25	4.25	8.50	1.50	5.50	.20	.71 x .47	3.38	10.77	1.201	.31	1.375
254TC	11.18	9.53	24.00	6.25	5.00	10.00	-	8.25	.47	Ø.53	4.01	12.36	1.416	.38	1.625
254TC	11.18	11.28	25.40	6.25	5.00	10.00	-	10.00	.47	Ø.53	4.01	12.36	1.416	.38	1.625
284TC	12.20	11.08	27.00	7.00	5.50	11.00	-	9.50	.78	Ø.53	4.62	14.00	1.519	.50	1.875
284TSC	12.20	11.08	25.60	7.00	5.50	11.00	-	9.50	.78	Ø.53	3.25	14.00	1.416	.38	1.625
286TC	12.20	12.57	28.00	7.00	5.50	11.00	-	11.00	.78	Ø.53	4.62	14.00	1.519	.50	1.875
286TSC	12.20	12.57	26.60	7.00	5.50	11.00	-	11.00	.78	Ø.53	3.25	14.00	1.416	.38	1.625

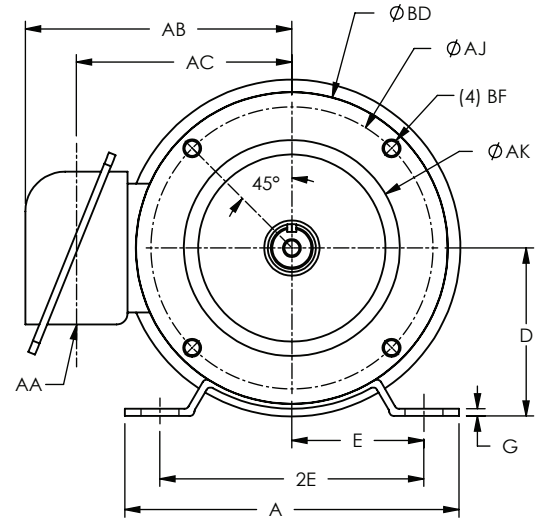
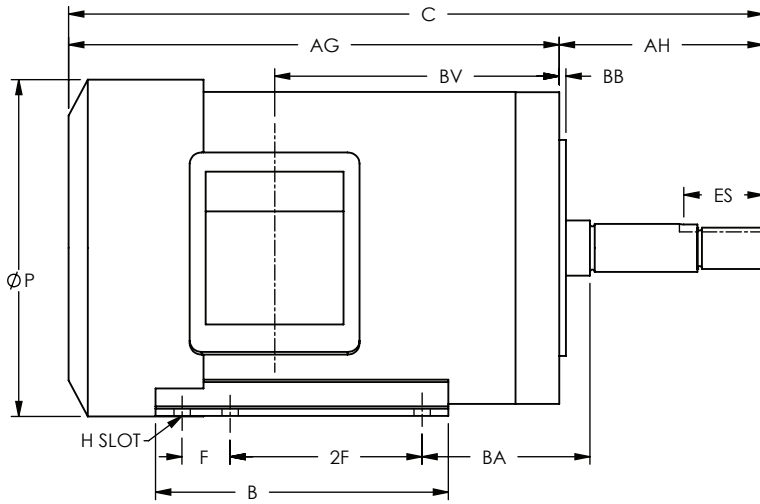
*Alternate mounting on same base.
 ** All motors shown at longest frame length.

FRAME	AA	AB	AC	AG	AH	AJ	AK	BA	BB	BD	BF	BV	ES
182TC	1.10	6.50	5.17	13.95	2.62	7.25	8.50	3.50	.25	8.86	1/2-13	8.28	1.78
184TC	1.10	6.50	5.17	14.74	2.62	7.25	8.50	3.50	.25	8.86	1/2-13	8.87	1.78
213TC	1.10	7.68	6.38	14.80	3.12	7.25	8.50	4.25	.25	9.00	1/2-13	9.33	2.41
215TC	1.10	7.68	6.38	16.09	3.12	7.25	8.50	4.25	.25	9.00	1/2-13	10.50	2.41
254TC	1.43	9.84	8.00	20.07	3.75	7.25	8.50	4.75	.25	11.85	1/2-13	12.01	2.91
254TC	1.43	9.84	8.00	21.38	3.75	7.25	8.50	4.75	.25	11.85	1/2-13	13.58	2.91
284TC	2.04	11.42	9.2	22.38	4.62	9.00	10.50	4.75	.25	13.27	1/2-13	13.8	3.28
284TSC	2.04	11.42	9.2	22.38	3.25	9.00	10.50	4.75	.25	13.27	1/2-13	13.8	1.91
286TC	2.04	11.42	9.2	23.38	4.62	9.00	10.50	4.75	.25	13.27	1/2-13	14.0	3.28
286TSC	2.04	11.42	9.2	23.38	3.25	9.00	10.50	4.75	.25	13.27	1/2-13	14.0	1.91

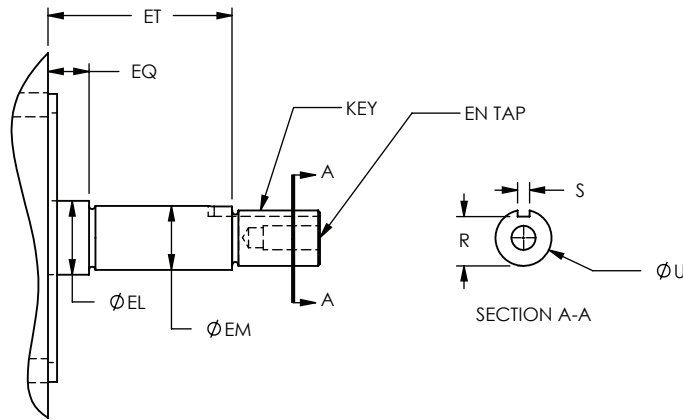
Dimensions subject to change without notice. Refer to factory for Certified drawing.

Sterling Electric, Inc.

Stainless Steel Close Coupled Pump Motors Frame (140-180JM)



SHAFT DETAILS



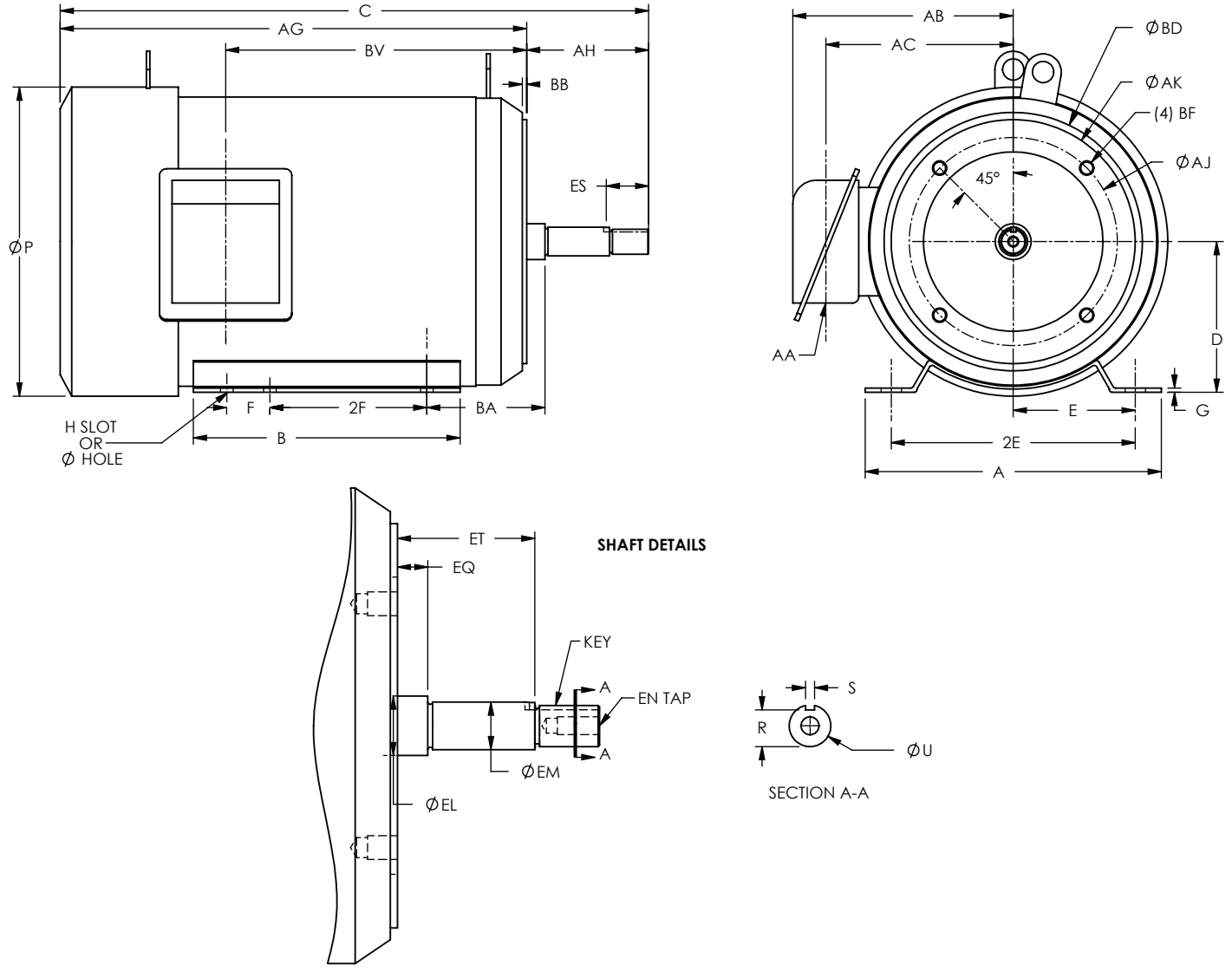
FRAME	A	B	C	D	E	2E	F*	2F	G	H	P	R	S	U	AA	AB
143JM	6.97	6.10	14.48	3.50	2.75	5.50	1.00	4.00	.10	.79 x .34	6.79	.771	.188	.8745	0.87	5.58
145JM	6.97	6.10	16.83	3.50	2.75	5.50	1.00	4.00	.10	.79 x .34	6.79	.771	.188	.8745	0.87	5.58
182JM	8.82	6.50	18.20	4.50	3.75	7.50	1.00	4.50	.10	.71 x .47	8.45	.771	.188	.8745	1.10	6.48
184JM	8.82	6.50	18.99	4.50	3.75	7.50	1.00	4.50	.10	.71 x .47	8.45	.771	.188	.8745	1.10	6.48

*Alternate mounting on same base.
 ** All motors shown at longest frame length.

FRAME	AC	AG	AH	AJ	AK	BA	BB	BD	BF	BV	EL	EM	EN	EQ	ES	ET
143JM	4.25	10.23	4.25	5.88	4.50	3.06	.16	6.50	3/8-16	5.93	1.156	1.00	3/8-16	.625	1.65	2.88
145JM	4.25	11.8	4.25	5.88	4.50	3.06	.16	6.50	3/8-16	8.29	1.156	1.00	3/8-16	.625	1.65	2.88
182JM	5.18	13.95	4.25	5.88	4.50	3.66	.16	6.50	3/8-16	8.62	1.250	1.00	3/8-16	.625	1.65	2.88
184JM	5.18	14.74	4.25	5.88	4.50	3.66	.16	6.50	3/8-16	9.6	1.250	1.00	3/8-16	.625	1.65	2.88

Dimensions subject to change without notice. Refer to factory for Certified drawing.

Stainless Steel Close Coupled Pump Motors Frame (210-280JM)



FRAME	A	B	C	D	E	2E	F*	2F	G	H	P	R	S	U	AA	AB
213JM	10.32	7.32	19.2	5.25	4.25	8.50	-	5.47	.16	.71 x .44	10.77	.771	.188	.8745	1.10	7.68
215JM	10.32	9.29	20.4	5.25	4.25	8.50	1.50	5.47	.16	.71 x .44	10.77	.771	.188	.8745	1.10	7.68
254JM	11.20	9.43	25.25	6.25	5.00	10.00	-	8.25	.60	Ø0.53	12.50	1.112	.250	1.2495	1.40	9.24
256JM	11.20	11.18	26.9	6.25	5.00	10.00	-	10.00	.60	Ø0.53	12.50	1.112	.250	1.2495	1.40	9.24
284JM	12.20	11.00	27.6	7.00	5.50	11.00	-	9.50	.78	Ø0.53	14.0	1.112	.250	1.2495	2.04	11.4
286JM	12.20	12.57	29.5	7.00	5.50	11.00	-	11.00	.78	Ø0.53	14.0	1.112	.250	1.2495	2.04	11.4

*Alternate mounting on same base.
 **All motors shown at longest frame length.

FRAME	AC	AG	AH	AJ	AK	BA	BB	BD	BF	BV	EL	EM	EN	EQ	ES	ET
213JM	6.38	14.8	4.25	7.25	8.50	5.14	.25	9.00	1/2-13	9.32	1.250	1.00	3/8-16	.625	1.65	2.88
215JM	6.38	16.9	4.25	7.25	8.50	5.14	.25	9.00	1/2-13	10.51	1.250	1.00	3/8-16	.625	1.65	2.88
254JM	7.7	20.0	5.25	7.25	8.50	5.01	.25	11.73	1/2-13	12.5	1.750	1.375	1/2-13	.625	2.53	3.00
256JM	7.7	21.6	5.25	7.25	8.50	5.64	.25	11.73	1/2-13	13.77	1.750	1.375	1/2-13	.625	2.53	3.00
284JM	9.3	22.35	5.25	11.00	12.5	5.64	.25	13.27	5/8-11	13.8	1.750	1.375	1/2-13	.625	2.53	3.00
286JM	9.3	24.25	5.25	11.00	12.5	5.64	.25	13.27	5/8-11	14.0	1.750	1.375	1/2-13	.625	2.53	3.00

Dimensions subject to change without notice. Refer to factory for Certified drawing.

Sterling Electric, Inc.

NOTES

A large grid area for taking notes, consisting of approximately 30 columns and 40 rows of small squares.

NOTES

A large grid area for taking notes, consisting of a 30x30 grid of small squares.

CONDITIONS OF SALE

Acceptance of your order is subject to the following terms and conditions as well as the condition of sale stated in the Price Book, which may not be superseded or modified in any manner by the terms of your purchase order unless specifically agreed to in writing by Sterling Electric, Inc. ("the Company");

1. **WARRANTY** - The Company warrants that all of its own manufactured products will be of the kind and quality described in the specifications established at time of purchase, and no other warranty, except of title, is herein expressed and none shall be implied. The conditions of any test of the products shall be mutually agreed upon, and the Company shall be notified of and may be represented at all tests that may be made. If any failure to comply with the specifications appears within one year from the date of shipment the Purchaser shall notify the Company thereof immediately. Failure to notify the Company within such period shall relieve said Company from any and all obligations. The liability of the Company (except as to title) arising out of the supplying of said products or their use, whether on warranties or otherwise, shall not in any case exceed the least of the cost or correcting defects in the products, by repair or by supplying a replacement, f.o.b. factory, of the defective part or parts. Upon expiration of (1) year from the date of shipment all such liability shall terminate.

THE FOREGOING WARRANTY IS IN LIEU OF ALL OTHER WARRANTIES, EXPRESSED OR IMPLIED, WITH RESPECT TO THE PRODUCT. INCLUDING ANY IMPLIED OR STATUTORY WARRANTY OF MERCHANTABILITY OR FITNESS FOR PURPOSE. NEITHER COMPANY NOR ITS SUPPLIERS SHALL BE LIABLE, WHETHER IN CONTRACT OR IN TORT OR UNDER ANY OTHER LEGAL THEORY, FOR LOSS OF USE, REVENUE OR PROFIT, OR FOR COST OF CAPITOL OR OF SUBSTITUTED USE OR PERFORMANCE, OR FOR INCIDENTAL, INDIRECT, SPECIAL OR CONSEQUENTIAL DAMAGES, OR FOR ANY OTHER LOSS OR COST OF SIMILAR TYPE, OR FOR CLAIMS BY PURCHASER FOR DAMAGES OR PURCHASER'S CUSTOMERS.

The Company is not responsible for damage to products or injury to persons or property due to abuse, improper installation or storage, alteration or modification, use other than for which originally sold, or through operations above rated load, either intentionally or otherwise, of any product or part. Further the Company shall not under any circumstances, be liable for the fault, negligence, or wrongful acts of purchaser of Purchaser's employees, or Purchaser's other contractors or suppliers. If any Purchaser fails to comply with the stipulated conditions of operation, or fails to permit the Company to inspect defects before repairing, or alters the product in any way, or fails to maintain the equipment in as-is shipped condition in storage, the Company's responsibility shall terminate.

2. **CHANGE OF PRICES/ORDERS** - A minimum charge of \$50.00 shall be charged on any order. Any order changes requested by Purchaser after order has been entered shall incur a minimum charge of \$50.00. In addition, charges will be made to cover the cost of re-engineering, drafting, parts scrapped because of the change and Price Book modifications caused by the change. In the event of a price change, prices on the unshipped portions of all orders are subject to the price in effect at the time of shipment. Exceptions to these terms are stated in the Price Book Conditions of Sale.

3. **SHIPPING AND STORAGE** - Products shall be shipped f.o.b. point of shipment, no freight allowed. Shipping methods or carriers are at the discretion of the Company. Date of shipment shall be the date shown on bill of lading for receipt of shipment by initial carrier. The Company is not responsible for any damage incurred during delivery by common carrier. Purchaser shall file claim against the carrier. All storage claims must be filled within (10) days of the receipt of shipment. Special storage preparation is recommended for products that will not be put in service within ninety days of shipment. Charges for this service are specified in catalog 705 and the Conditions of Sale. Failure to request such storage preparation will void the warranty on products stored over ninety days.

4. **TERMS OF PAYMENT** - Unless otherwise arranged, terms of payment are cash in full within thirty days of invoice date. Payment will be in U.S. Dollars. On late payments, in the contract price shall, without prejudice to the Company's right to immediate payment, be increased 1% per month on the unpaid balance, but not to exceed the maximum permitted by law.

If at anytime in the Company's judgment the Purchaser may be or may become unable or unwilling to meet the terms specified, the Company may require satisfactory assurances, full or partial payment, as a condition to commencing or continuing manufacture of making shipment, and may, if shipment has been made, recover the product(s) from the carrier, pending receipt of such assurances.

5. **CANCELLATION** - Cancellation of this order may be made by written notice to Company provided that payment of cost incurred by the Company, to the time such notice is received, is made by Purchaser.

6. **PATENTS** - The Company shall defend any suit or proceeding brought against the Purchaser so far as based on a claim that any product, or any part thereof, furnished under this contract constitutes an infringement of any patent of the United States. If notified promptly in writing and given authority, information and assistance (at the Company's expense) for the defense of same, and the Company shall pay all damages and cost awarded therein against the Purchaser. In case said product, or any part thereof, is in such suit held to constitute infringement and the use of said product or part is enjoined, the Company shall, at its own expense, either procure for the Purchaser the right to continue using said product or part; or replace same with non-infringing product; or modify it so that it becomes non-infringing; or remove said product and refund the purchase price and the transportation and installation costs thereof. The forgoing states the entire liability of the company for patent infringement by said product or any part thereof.

7. **DELIVERY/DELAY** - Shipping dates are estimates and are based upon prompt receipt of all necessary information. The Company shall not be liable for delay due to causes beyond its reasonable control, including but not limited to acts of God, acts of failure to act of government, acts or regulations of the federal or state governments, acts or omissions of the Purchaser, acts of civil or military authorities, priorities, fires, strikes, blizzards, earthquakes, tornadoes, floods, epidemics, quarantine restrictions, war, riots, delays in transportation, car, shortages, and inability, due to reasons beyond its reasonable control, to obtain necessary labor, material, or manufacturing facilities. In the event of any such delay, the date of the delivery shall be extended for a period equal to the time lost by reason of the delay and its consequences. Delay caused by Purchaser's request or amendment or addition to order shall cause the Company to apply those prices and price policy clauses in effect as of the date said order is finally released.

8. **TAXES** - The Company's prices do not include sales, use, excise, license or similar taxes. Consequently, in addition to the price specified herein, the amount of any present or future sales, use, excise, license or other similar tax applicable to the sale of the equipment, parts or accessories hereunder shall be paid by the Purchase, or in lieu thereof the Purchaser shall provide the Company with a tax exemption certificate acceptable to the taxing authorities.

9. **TITLE** - The title and right of possession of the equipment, parts or accessories sold hereunder shall remain with the Company and such equipment shall remain personal property until all payments hereunder (including deferred payments, whether evidenced by notes or otherwise) shall have been made in full in cash and the Purchaser agrees to do all acts necessary to protect and maintain such right and title in the Company.

10. **WAIVER/INDEMNITY** - No waiver or modification of any of these terms and conditions of sale shall be valid unless it is made in writing and signed by both Company and Purchaser. Failure by the Company to enforce any right possessed under the foregoing terms and conditions shall not constitute a waiver thereof or establish a custom. Purchaser shall protect, defend, indemnify and hold harmless the Company for all loss, cost or expense arising out of any breach of these Conditions of Sale or negligent act of the Purchaser.

11. **LAWS/LIMITATIONS** - The Company will comply with all applicable Federal, State and local laws, and hereby represents that any goods to be delivered hereunder will be produced in compliance with the requirements of the Fair Labor Standards Act of 1938, as amended. The laws of the State of California shall govern the validity, interpretation and enforcement of this contract. No action, regardless of form, arising out of the sale of use of the products which are the subject of this contract may be brought by either party more than one year after the cause of action has accrued, except on action for nonpayment of the purchase price brought within one year after the last payment due date.

Pricing and Information Subject to Change Without Notice



STERLING
ELECTRIC, INC.

7997 Allison Avenue, Indianapolis, Indiana 46268
Phone (800) 866-7973 | Facsimile (800) 474-0543
www.sterlingelectric.com