

MODIFIED STOCK GEAR REDUCERS

Quick shipment is standard on all stock and modified stock gear reducers. A wide range of mounting styles are offered and are listed on the accompanying chart. Start with one of the stock reducer styles shown—add an accessory—and create a new mounting style.

STYLE T OR U HORIZONTAL BASE



(GR SERIES SHOWN)

STYLE J VERTICAL INPUT SHAFT BASE



(GR SERIES SHOWN)

STYLE VL OR VH VERTICAL OUTPUT SHAFT BASE



(GR SERIES SHOWN)

MOTORIZED C FLANGE QUILL INPUT



(Style BMQ Shown)

MOTORIZED C FLANGE FLEXIBLE COUPLING INPUT



(Style BM Shown)

NON-FLANGED



(Style B Shown)

Type	Stock Reducer Style	T Base Worm Over	U Base Worm Over	J Base	VL Low Base	VH High Base
Single Reduction Solid Shaft	BMQ	TMQ	UMQ *	JMQ	VLMQ	VHMQ
Single Reduction Hollow Shaft	HMQ	—	—	JHMQ	VLHMQ	VHHMQ
Double Reduction Solid Shaft	DMQ	DTMQ	DUMQ *	DJMQ	DVLMQ	DVHMQ
Double Reduction Hollow Shaft	DHMQ	—	—	DJHMQ	DVLHMQ	DVHHMQ
Single Reduction Solid Shaft	BM	TM	UM *	JM	VLM	VHM
Single Reduction Hollow Shaft	HM	—	—	JHM	VLHM	VHHM
Double Reduction Solid Shaft	DM	DTM	DUM *	DJM	DVLM	DVHM
Double Reduction Hollow Shaft	DHM	—	—	DJHM	DVLHM	DVHHM
Single Reduction Solid Shaft	B	T	U *	J	VL	VH
Single Reduction Hollow Shaft	H	—	—	JH	VLH	VHH
Double Reduction Solid Shaft	D	DT	DU *	DJ	DVL	DVH
Double Reduction Hollow Shaft	DH	—	—	DJH	DVLH	DVHH

* Not a recommended mounting style. Consult Factory for selection assistance.

For WASHGUARD® modifications and accessories, see pages 293-295.

**STYLE F
OUTPUT
FLANGE**



(GR SERIES SHOWN)

**STYLE FR
OUTPUT
FLANGE**



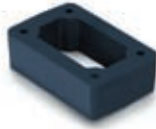
(EL SERIES ONLY)

**STYLE BF
OUTPUT
FLANGE**



(GR SERIES ONLY)

**STYLE R
RISER
BLOCK**



(GR SERIES ONLY)

Free Mod-Squad™ Service Or Assemble It Yourself!

Any basic Grove Gear or Electra Gear reducer is available on a quick-shipment basis with an accessory kit factory assembled by the Grove Gear Mod Squad™ - at no charge for the labor!



Just pay for the basic reducer and accessory item. To order a modified reducer, specify the basic reducer model number or catalog number AND the Mod-Squad™ Service Number (see individual selection tables).

Or assemble it yourself by ordering the appropriate basic reducer and accessory kit for the model needed.

Before ordering, check the dimensional information and models available in this catalog. Accessory kits for Grove Gear Series GR, GRL and GRG are not interchangeable to NH or EL series except where noted. EL Series accessory kits have unique dimensions and will not mount to any Grove Gear reducer without modification.

F Output Flange	FR Output Flange	BF Output Flange	R Riser Block
FMQ ●	FRMQ	BFMQ	RMQ
FHMQ	—	BFHMQ	—
DFMQ ●	DFRMQ	DBFMQ	—
DFHMQ	—	DBFHMQ	—
FM ●	FRM	BFM	RM
FHM	—	BFHM	—
DFM ●	DFRM	DBFM	—
DFHM	—	DBFHM	—
F ●	FR	BF	R
FH	—	BFH	—
DF ●	DFR	DBF	—
DFH	—	DBFH	—

See pages 125-127 for accessory weights.

● Not available in EL Series



Pages 286-287, 292 Standard Accessories
Page 293 WASHGUARD® Accessories



Pages 288-289 292 Standard Accessories
Page 294 WASHGUARD® Accessories



Pages 290-292 Standard Accessories
Page 295 WASHGUARD® Accessories



Page 295 Standard Accessories

Accessories



MODIFIED STOCK GEAR REDUCERS

**CAST IRON
GR SERIES**

STYLE T OR U HORIZONTAL BASE



Reducer Size	Accessory Kit Only Catalog No.	Mod-Squad-Service Number		Weight (lbs)
		Style T	Style U	
GR813	G185000	T813GR	U813GR	2
GR815	G185120	T815GR	U815GR	3
GR818	G185005	T818GR	U818GR	3
GR821	G185010	T821GR	U821GR	4
GR824	G185015	T824GR	U824GR	4
GR826	G185020	T826GR	U826GR	6
GR830	G185121	T830GR	U830GR	6
GR832	G185025	T832GR	U832GR	9
GR842	G185030	T842GR	U842GR	14
GR852	G185035	T852GR	U852GR	20
GR860	G185040	T860GR	U860GR	31
GR870	G185189	T870GR	U870GR	41
GR880	G185190	T880GR	U880GR	48
GR8100	G185191	T8100GR	U8100GR	76

STYLE J VERTICAL INPUT BASE



Reducer Size	Accessory Kit Only Catalog No.	Mod-Squad-Service Number Style J	Weight (lbs)
GR815	G185122	J815GR	1
GR818	G185006	J818GR	2
GR821	G185011	J821GR	3
GR824	G185016	J824GR	3
GR826	G185021	J826GR	5
GR830	G185123	J830GR	6
GR832	G185124	J832GR	6
GR842	◆	◆	10
GR852	◆	◆	15

◆ J Brackets for sizes 842-852 require grease fittings in input covers and must be installed at Factory. Contact Factory for field replacement kits.

STYLE F OUTPUT FLANGE - CAST IRON



Reducer Size	Accessory Kit Only Catalog No.	Mod-Squad-Service Number Style F	Weight (lbs)
GR815	G185131**	F815GR	1
GR818	G185132**	F818GR	2
GR821	G185133**	F821GR	3
GR824	G185134**	F824GR	3
GR826	G185135**	F826GR	4
GR830	G185136**	F830GR	10
GR832	G185137**	F832GR	10
GR842	G185138**	F842GR	15
GR852	G185139**	F852GR	30
GR860	G185140**	F860GR	38
GR870	**	F870GR	**
GR880	**	F880GR	**
GR8100	**	F8100GR	**

** Output flange must be installed at Factory for all solid output shaft reducers (sizes 815-860) and all 870-8100 reducers. Specify Mod-Squad Service Number for flange when ordering these reducers.

▼ Flange can only mount to "bolted cover side" of reducer on sizes 813-852. Please specify correct mounting assembly with order. Refer to pages 64-65, for assembly positions.

HOLLOW SHAFT TIE ROD KIT



(GR SERIES SHOWN)

Reducer Size	Accessory Kit Only Catalog No.	Weight (lbs)
GR813 - 842	G185152	5
GR852 - 860	G185153	5

NOTE: Kit does not include Torque Arm Bracket that mounts to reducer. See "TORQUE ARM BRACKET" table.

TORQUE ARM BRACKET



Reducer Size	Accessory Kit Only Catalog No. ▲
GR813	G185450
GR815	G185451
GR818	G185451
GR821	G185452
GR824	G185453
GR826	G185454
GR830	G185456
GR832	G185457
GR842	G185458
GR852	G185459
GR860	G185460
GR870	--
GR880	--
GR8100	--

▲ Torque arm bracket mounts to hollow shaft reducer.

STYLE VL & VH VERTICAL OUTPUT BASE



Reducer Size	Accessory Kit Only Catalog No.	Mod-Squad-Service Number		Weight (lbs)
		Style VL	Style VH	
GR813	G185002	VL813GR**	VH813GR**	2
GR815	G185127	VL815GR**	VH815GR**	3
GR818	G185007	VL818GR**	VH818GR**	3
GR821	G185012	VL821GR**	VH821GR**	7
GR824	G185017	VL824GR**	VH824GR**	7
GR826	G185022	VL826GR**	VH826GR**	9
GR830	G185128	VL830GR**	VH830GR**	10
GR832	G185027	VL832GR**	VH832GR**	13
GR842	■	■	■	20
GR852	■	■	■	25
GR860	■	■	■	36
GR870	■	■	--	71
GR880	■	■	--	78
GR8100	■	■	--	156

■ VL & VH bases for sizes 842-8100 require grease retainer and zerk fittings in output covers and must be installed at Factory. Contact Factory for field replacement kits.

** Must designate D or U.

STYLE R RISER BLOCK



Reducer Size	Accessory Kit Only Catalog No.	Weight (lbs)
GR815	G185141	7
GR818	G185142	7
GR821	G185143	9
GR824	G185144	9
GR826	G185145	12
GR830	G185146	15
GR832	G185147	31
GR842	G185148	24
GR852	G185149	15



BM STYLE INPUT FLANGE KITS**



Reducer Size	NEMA Input Frame Size					
	48CZ	56C	143-5TC	182-4TC	213-5TC	254-6TC
GR813	G185161	G185090	--	--	--	--
GR815	G185162	G185163	G185164	--	--	--
GR818	G185165	G185091	G185092	--	--	--
GR821	G185166	G185093	G185094	--	--	--
GR824	--	G185095	G185096	G185097	--	--
GR826	--	G185098	G185099	G185100	--	--
GR830	--	G185167	G185168	G185169	--	--
GR832	--	G185101	G185102	G185103	G185170	--
GR842	--	G185171	G185104	G185105	G185106	G185172
GR852	--	--	G185173	G185107	G185108	G185109
GR860	--	--	--	G185174	G185110	G185111

** All kits include flexible coupling.

DOUBLE REDUCTION ADAPTOR KITS



Reducer Size	Accessory Kit Only Catalog No.	Primary Unit Size	Secondary Unit Quill Size	Weight (lbs.)
GR813 - GR821	G185150	813	56C	3

Note: Sizes 824-8100 must be assembled at Factory.

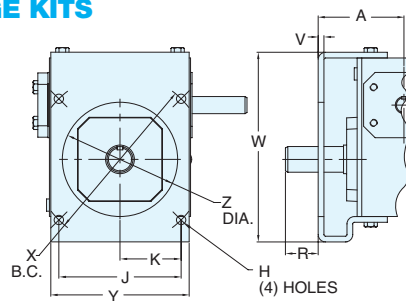
HOLLOW OUTPUT SHAFT PROTECTIVE COVERS

Series	Accessory Kit Only Catalog No.
GR818	Contact Factory
GR821	
GR824	
GR826	



This protective cap mounts to integral output cover side of reducer and covers the unused output bore for single extension or hollow output shaft assemblies. Cover will not mount to bolted cover side of reducer. Check OSHA requirements and review installation manual to assure all safety requirements of gear reducer installation are met.

BF STYLE OUTPUT FLANGE KITS



Style BF Output Flange Kits

Series	A	H	J	K	R	V	W	X	Y	Z
813	3.00	0.34	3.54	1.77	1.00	0.19	5.55	5.00	4.25	3.62
818	3.50	0.34	4.16	2.08	0.81	0.19	6.66	5.88	4.81	4.06
821	3.75	0.41	4.60	2.30	0.93	0.19	7.47	6.50	5.75	4.50
824	3.72	0.41	5.30	2.65	1.37	0.25	8.30	7.50	6.00	5.00
826	4.06	0.41	5.66	2.83	1.57	0.25	9.25	8.00	7.18	6.00

Style BF Output Flange - Steel

Series	Accessory Kit Only Catalog No.	Mod-Squad-Service Number Style BF	Weight (lbs)
GR813	G185004	BF813GR	6
GR818	G185009	BF818GR	6
GR821	G185014	BF821GR	10
GR824	G185019	BF824GR	10
GR826	G185024	BF826GR	13



Accessories



MODIFIED STOCK GEAR REDUCERS



STYLE T OR U HORIZONTAL BASE



Reducer Size	Accessory Kit Only Catalog No.	Mod-Squad-Service Number		Weight (lbs)
		Style T	Style U	
NH813	G185200	T813NH	U813NH	2
NH815	G185201	T815NH	U815NH	3
NH818	G185202	T818NH	U818NH	3
NH821	G185203	T821NH	U821NH	4
NH824	G185204	T824NH	U824NH	4
NH826	G185205	T826NH	U826NH	6
NH830	G185206	T830NH	U830NH	6
NH832	G185207	T832NH	U832NH	9
NH842	G185208	T842NH	U842NH	14
NH852	G185209	T852NH	U852NH	20

STYLE J VERTICAL INPUT BASE



Reducer Size	Accessory Kit Only Catalog No.	Mod-Squad-Service Number		Weight (lbs)
		Style J		
NH813	G185210	J813NH		1
NH815	G185211	J815NH		1
NH818	G185212	J818NH		2
NH821	G185213	J821NH		3
NH824	G185214	J824NH		3
NH826	G185215	J826NH		5
NH830	G185216	J830NH		6
NH832	G185217	J832NH		6
NH842	◆	◆		10
NH852	◆	◆		15

◆ J Brackets for sizes 842-852 require NH grease fittings in input covers and must be installed at Factory. Contact Factory for field replacement kits.

STYLE F OUTPUT FLANGE



Reducer Size	Accessory Kit Only Catalog No.	Mod-Squad-Service Number		Weight (lbs)
		Style F		
NH813	G185228	F813NH		1
NH815	G185229**	F815NH		1
NH818	G185230**	F818NH		2
NH821	G185231**	F821NH		3
NH824	G185232**	F824NH		3
NH826	G185233**	F826NH		4
NH830	G185234**	F830NH		10
NH832	G185235**	F832NH		10
NH842	G185236**	F842NH		15
NH852	G185237**	F852NH		30

** Output flange must be installed at Factory for all solid output shaft reducers (sizes 815-852). Specify Mod-Squad Service Number for flange when ordering these reducers.

▼ Flange can only mount to "bolted cover side" of reducer. Please specify correct mounting assembly with order. Refer to pages 84-85, for assembly positions.

STYLE VL & VH VERTICAL OUTPUT BASE



Reducer Size	Accessory Kit Only Catalog No.	Mod-Squad-Service Number		Weight (lbs)
		Style VL	Style VH	
NH813	G185220	VL813NH**	VH813NH**	2
NH815	G185221	VL815NH**	VH815NH**	3
NH818	G185222	VL818NH**	VH818NH**	3
NH821	G185223	VL821NH**	VH821NH**	7
NH824	G185224	VL824NH**	VH824NH**	7
NH826	G185225	VL826NH**	VH826NH**	9
NH830	G185226	VL830NH**	VH830NH**	10
NH832	G185227	VL832NH**	VH832NH**	13
NH842	■	■	■	20
NH852	■	■	■	25

■ VL & VH bases for sizes 842-852 require grease retainer and zerk fittings in output covers and must be installed at Factory. Contact Factory for field replacement kits.

** Must designate D or U.



BM STYLE INPUT FLANGE KITS**



Reducer Size	NEMA Input Frame Size					
	48CZ	56C	143-5TC	182-4TC	213-5TC	254-6TC
NH813	G185161	G185090	--	--	--	--
NH815	G185162	G185163	G185164	--	--	--
NH818	G185165	G185091	G185092	--	--	--
NH821	G185166	G185093	G185094	--	--	--
NH824	--	G185095	G185096	G185097	--	--
NH826	--	G185098	G185099	G185100	--	--
NH830	--	G185112	G185113	G185114	G185115	--
NH832	--	G185112	G185113	G185114	G185115	--
NH842	--	G185171	G185104	G185105	G185106	G185172
NH852	--	--	G185173	G185107	G185108	G185109

** All kits include flexible coupling.

DOUBLE REDUCTION ADAPTOR KITS



Reducer Size	Accessory Kit Only Catalog No.	Primary Unit Size	Secondary Unit Quill Size	Weight (lbs.)
NH813 - NH821	G185238	813	56C	3

Note: Sizes 824-8100 must be assembled at Factory.

HOLLOW OUTPUT SHAFT PROTECTIVE COVERS

Reducer Size	Accessory Kit Only Catalog No.
NH818	Contact Factory
NH821	
NH824	
NH826	



This protective cap mounts to integral output cover side of reducer and covers the unused output bore for single extension or hollow output shaft assemblies. Cover will not mount to bolted cover side of reducer. Check OSHA requirements and review installation manual to assure all safety requirements of gear reducer installation are met.

HOLLOW SHAFT TIE ROD KIT



(GR SERIES SHOWN)

Reducer Size	Accessory Kit Only Catalog No.	Weight (lbs)
NH813-842	G185152	5
NH852	G185153	5

NOTE: Kit does not include Torque Arm Bracket that mounts to reducer. See "TORQUE ARM BRACKET" table.

TORQUE ARM BRACKET



Reducer Size	Accessory Kit Only Catalog No. ▲
NH813	G185450
NH815	G185464
NH818	G185464
NH821	G185465
NH824	G185466
NH826	G185467
NH830	G185468
NH832	G185469
NH842	G185470
NH852	G185471

▲ Torque arm bracket mounts to hollow shaft reducer.

ELECTRA-GEAR MODIFIED STOCK GEAR REDUCERS



STYLE T OR U HORIZONTAL BASE



Reducer Size	Accessory Kit Only Catalog No.	Mod-Squad-Service Number		Weight (lbs)
		Style T	Style U	
EL813	G185260	T813EL	U813EL	1
EL818	G185261	T818EL	U818EL	2
EL821	G185262	T821EL	U821EL	3
EL824	G185263	T824EL	U824EL	3
EL826	G185264	T826EL	U826EL	4
EL830	G185265	T830EL	U830EL	6
EL832	G185266	T832EL	U832EL	8
EL842	G185267	T842EL	U842EL	7
EL852	G185268	T852EL	U852EL	8
EL860	G185269	T860EL	U860UL	10

STYLE J VERTICAL INPUT BASE



(WHITE EPOXY)

Reducer Size	Accessory Kit Only Catalog No.	Mod-Squad-Service Number Style J	Weight (lbs)
EL818	G185271	J818EL	2
EL821	G185272	J821EL	3
EL824	G185273	J824EL	3
EL826	G185274	J826EL	4
EL830	G185275	J830EL	5
EL832	G185276	J832EL	5
EL842	◆	◆	6
EL852	◆	◆	8
EL860	◆	◆	10

◆ J Brackets for sizes 842-852 require grease fittings in input covers and must be installed at Factory. Contact Factory for field replacement kits.

STYLE VL VERTICAL OUTPUT BASE

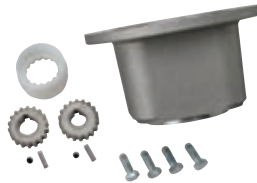


(WHITE EPOXY)

Reducer Size	Accessory Kit Only Catalog No.	Mod-Squad-Service Number Style VL	Weight (lbs)
EL818	G185279	VL818EL**	3
EL821	G185280	VL821EL**	3
EL824	G185281	VL824EL**	3
EL826	G185282	VL826EL**	4
EL830	G185283	VL830EL**	5
EL832	G185284	VL832EL**	5
EL842	■	VL842EL**	6
EL852	■	VL852EL**	8
EL860	■	VL860EL**	10

■ VL bases for sizes 842-852 require grease fittings in output covers and must be installed at Factory. Contact Factory for field replacement kits.
** Must designate D or U.

BM STYLE INPUT FLANGE KITS**



Reducer Size	NEMA Input Frame Size				
	56C	140TC	180TC	210TC	250TC
EL813	G185501	G185511	-	-	-
EL818	G185502	G185512	-	-	-
EL821	G185502	G185512	-	-	-
EL842	G185503	G185513	G185523	G185573	G185583
EL852	G185503	G185513	G185523	G185573	G185583

** All kits include flexible coupling

DOUBLE REDUCTION ADAPTOR KITS



Reducer Size	Accessory Kit Only Catalog No.	Primary Unit Size	Secondary Unit Quill Size	Weight (lbs.)
EL813 - EL821	G185296	813	56C	2

Note: Sizes 824-8100 must be assembled at Factory.

HOLLOW SHAFT TIE ROD KIT



(GR SERIES SHOWN)

Reducer Size	Accessory Kit Only Catalog No.	Weight (lbs)
EL813-842	G185152	5
EL852-860	G185153	5

NOTE: Kit does not include Torque Arm Bracket that mounts to reducer. See "TORQUE ARM BRACKET" table.

TORQUE ARM BRACKET



Reducer Size	Accessory Kit Only Catalog No.
EL813	-
EL818	G185480
EL821	G185481
EL824	G185472
EL826	G185473
EL830	G185474
EL832	G185475
EL842	G185476
EL852	G185477
EL860	G185478

▲ Torque arm bracket mounts to hollow shaft reducer.

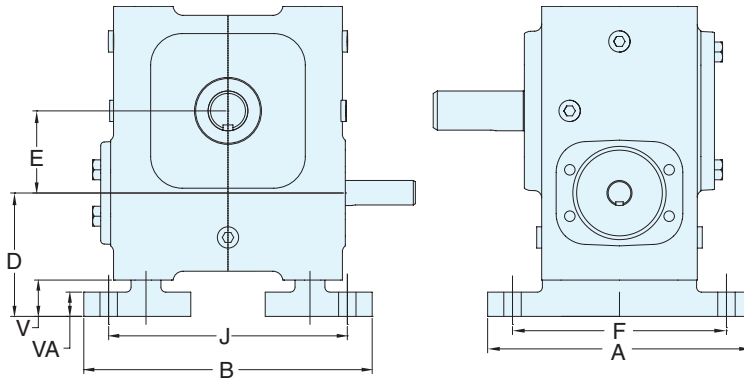
STYLE F & FR OUTPUT FLANGE KITS



Reducer Size	Accessory Kit Only Catalog No.	Mod-Squad Service Number	Accessory Kit Only Catalog No.	Mod-Squad Service Number	Weight (lbs)
EL818	G185287	F818EL	G185298	FR818EL	2
EL821	G185288	F821EL	G185299	FR821EL	3
EL824	G185289	F824EL	G185300	FR824EL	3
EL826	G185289	F826EL	G185300	FR826EL	3
EL830	G185291	F830EL	G185302	FR830EL	6
EL832	G185291	F832EL	G185302	FR832EL	7
EL842	G185293	F842EL	G185304	FR842EL	8
EL852	G185294	F852EL	G185295	FR852EL	8
EL860	+	+	+	+	21

+ - Output flange must be installed at Factory.

“ABC” BASE KIT



“ABC” base can be mounted on top or bottom of reducer. Please specify mounting position with order.

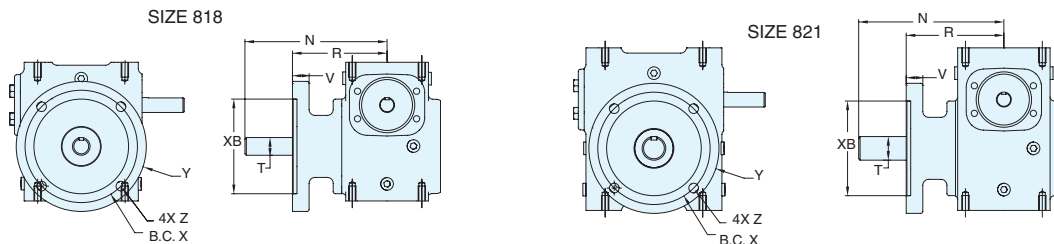
ABC BASE DIMENSIONS

Size	A	B	CD	D	F	J	V	VA	Accessory Kit Only Catalog No.	Mod-Squad-Service Number Style ABC	Weight (lbs)
818	5.19	4.50	1.75	3.67	4.38	3.69	1.36	0.55	G185620	ABC818EL	2
821	6.63	7.25	2.06	3.24	5.38	6.00	0.92	0.61	G185621	ABC821EL	3
826	6.63	8.12	2.38	3.93	5.38	6.87	1.06	0.68	G185622	ABC826EL	4
830	9.00	9.87	2.63	4.24	7.50	8.37	1.31	0.74	G185623	ABC830EL	6
832	9.13	10.88	3.00	4.74	7.63	9.38	0.74	0.74	G185624	ABC832EL	8
842	10.00	10.50	3.25	5.73	8.00	8.50	1.23	1.23	G185625	ABC842EL	7
852	10.75	12.12	4.25	5.73	8.75	9.74	1.48	1.48	G185626	ABC852EL	8
860	11.75	13.50	5.25	6.73	9.50	11.50	1.73	1.73	G185627	ABC860EL	10

Foot kit can be mounted on top or bottom of reducer

NOTE: For assembly position see T style on page 290 or U style on P - depending on how feet are mounted.

FL (RING BASE) OUTPUT FLANGE



FL DIMENSIONS (inches)

Size	N	R	T +0.000 -0.0015	V	X	XB	Y	Z
818	6.01	400	0.750	0.703	4.75	4.002	5.50	0.41
821	6.14	4.13	1.000	0.703	4.75	4.002	5.50	0.41

FL Flange Kit must be assembled at Factory. Contact Factory to order.

ELECTRA-GEAR INTERCHANGE GUIDE

Original Style	New Style
RL	FL
RLC	FLM
RLSC	FLMQ

For other output flange options, refer to pages:

FR, FRM, FRMQ pages 104-105

FH, FHM, FHMQ pages 108-109

MODIFIED STOCK GEAR REDUCER ACCESSORIES

CAST IRON GR SERIES

CAST IRON NH SERIES

ALUMINUM EL SERIES

BLUE TOUCH-UP PAINT

Container Size	Catalog No.
16 oz can	G185404



WORM GEAR OIL

Container Size	Catalog No.
Quart	G185405



CAUTION

This oil is standard in all Grove (GR and NH Series) and Electra Gear (EL Series) worm reducers. It is a synthetic Polyglycol (PAG) blend, only intended for use in worm gear reducers and cannot be mixed with any other oil type.

NEMA C-FACE QUILL INPUT BUSHINGS



Frame Conversion	Input Quill Bore Size (inch)	Accessory Kit Only Catalog #
180TC to 140TC	1-1/8 to 7/8	G175230
180TC to 56C	1-1/8 to 5/8	G175229
140TC to 56C	7/8 to 5/8	G175228

Note: Bushing allows multiple NEMA frame motors to mount to a single gearbox by reducing the input quill shaft diameter as noted. Application may also require a different input flange size. Bushings are not intended for use in output bores.

ONE-WAY POPPET VENT



Reducer Size	Accessory Kit Only Catalog No.
813	G185407
815	
818	
821	
824	
826	
830	
832	
842	G185408
852	
860	
870	G185409
880	
8100	G185410

OIL LEVEL SIGHT GLASS PLUG



Reducer Size	Accessory Kit Only Catalog No.
813	G185411
815	
818	
821	
824	
826	
830	
832	
842	G185412
852	
860	
870	G185413
880	
8100	G185414

Note: Sight Gage is used to visually check if oil level of gearbox is above or below proper level.

Note: Standard vent is two-way design. Poppet vent is a one-way design, reducing chance of oil vapors escaping into environment. For ultimate protection, refer to the Enviroseal design.

ENVIRO-SEAL



Note: Enviroseal is standard on all WASHGUARD® / PLATINUM reducers in this catalog.

Note: By adding the "Enviroseal" feature to any standard GR Series reducer, the original "Grove Gold" features are duplicated. This feature can be added to any GR, NH or EL Series worm reducer or ratio multiplier for a "Sealed-For-Life" ventless design. Specify "Enviroseal Option" with order.

INPUT COUPLING SLEEVES** • SERIES GR • NH • EL

Reducer Size	NEMA Input Frame Size					
	48CZ	56C	143-5TC	182-4TC	213-5TC	254-6TC
813	040699	040699	040699	--	--	--
815 - 821	040699	040699	040699	--	--	--
824 - 826	--	040699	040699	040792	--	--
830 - 832	--	040699	040699	040792	040792	--
842 - 852	--	040792	040792	040792	040792	095555B
860	--	--	--	013205	013205	095521
870	--	--	--	013205	013205	095555B
880	--	--	--	--	095521	095561B

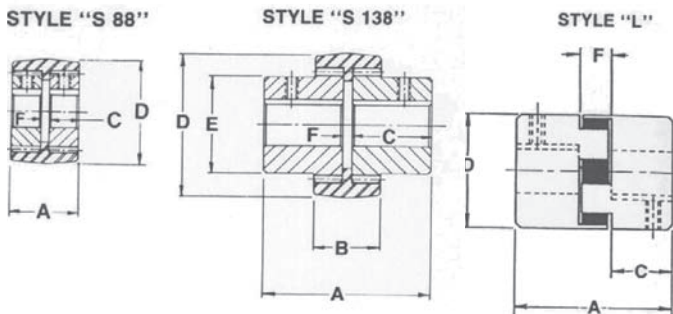
** Includes coupling sleeve only. For complete 3-piece coupling kit, refer to Input Coupling Kits.

INPUT COUPLING KITS* • SERIES GR • NH • EL

Reducer Size	NEMA Input Frame Size											
	48CZ		56C		140TC		180TC		210TC		250TC	
	Part Number	Style	Part Number	Style	Part Number	Style	Part Number	Style	Part Number	Style	Part Number	Style
813	041239	S88	040929	S88	040931	S88	--	--	--	--	--	--
815 - 821	040929	S88	040932	S88	040934	S88	--	--	--	--	--	--
824 - 826	--	--	040933	S88	040935	S88	040937	S138	--	--	--	--
830 - 832	--	--	040934	S88	040936	S88	040938	S138	040939	S138	--	--
842 - 852	--	--	012230	S138	012231	S138	041067	S138	040941	S138	012410	M300
860	--	--	--	--	--	--	013205	L110	013206	L110	013207	L150
870	--	--	--	--	--	--	014468	L110	014469	L110	014470	M300
880	--	--	--	--	--	--	--	--	014471	L150	014472	M400

* Coupling kits include 2 coupling halves, flexible sleeve/element and retaining hardware. All couplings are keyed, not splined.

COUPLING DIMENSIONS - INCHES



DIMENSIONS

Model	A	B	C	D	E	F	Available Sizes
S88	1.25	--	.56	1.88	--	.12	3/8, 1/2, 5/8, 3/4, 7/8
S138	3.36	1.25	1.62	2.88	2.00	.12	5/8, 3/4, 7/8, 1, 1-1/8, 1-1/4, 1-3/8, 1-1/2, 1-5/8, 1-7/8
L-070	2.00	--	.75	1.36	--	.50	3/8, 1/2, 5/8
L-150	4.50	--	1.75	3.75	--	1.00	1-1/4, 1-3/8, 1-5/8, 1-7/8

RATINGS - HP

Model	RPM					
	100	600	900	1200	1800	3600
S88	.20	1.2	1.8	2.4	3.6	7.2
S138	.60	3.6	5.4	7.2	10.8	21.6
L-070	--	--	--	.72	1.08	2.16
L-150	--	--	--	20.4	30.6	61.2

Accessories



WASHGUARD® STYLE T OR U
HORIZONTAL BASE



Reducer Size	Accessory Kit Only Catalog No.	Mod-Squad-Service Number		Weight (lbs)
		Style T	Style U	
GR813	G185045	WT813GR	WU813GR	2
GR815	G185180	WT815GR	WU815GR	3
GR818	G185046	WT818GR	WU818GR	3
GR821	G185047	WT821GR	WU821GR	4
GR824	G185048	WT824GR	WU824GR	4
GR826	G185049	WT826GR	WU826GR	6
GR830	G185181	WT830GR	WU830GR	6
GR832	G185182	WT832GR	WU832GR	9

Contact Factory for larger sizes

WASHGUARD® STYLE J
VERTICAL INPUT BASE



Reducer Size	Accessory Kit Only Catalog No.	Mod-Squad-Service Number Style J	Weight (lbs)
GR815	G185183	WJ815GR	1
GR818	G185055	WJ818GR	2
GR821	G185056	WJ821GR	3
GR824	G185057	WJ824GR	3
GR826	G185058	WJ826GR	5
GR830	G185184	WJ830GR	6
GR832	G185185	WJ832GR	6

WASHGUARD®
HOLLOW
SHAFT
TIE ROD KIT



Reducer Size	Accessory Kit Only Catalog No.	Weight (lbs)
GR813-842	G185088	5
GR852-860	G185089	5

NOTE: Kit does not include Torque Arm Bracket that mounts to reducer. See "TORQUE ARM BRACKET" table.

WASHGUARD® STYLE VL & VH
VERTICAL OUTPUT BASE



Reducer Size	Accessory Kit Only Catalog No.	Mod-Squad-Service Number		Weight (lbs)
		Style VL	Style VH	
GR813	G185063	WVL813GR**	WVH813GR**	2
GR815	G185186	WVL815GR**	WVH815GR**	3
GR818	G185064	WVL818GR**	WVH818GR**	3
GR821	G185065	WVL821GR**	WVH821GR**	7
GR824	G185066	WVL824GR**	WVH824GR**	7
GR826	G185067	WVL826GR**	WVH826GR**	9
GR830	G185187	WVL830GR**	WVH830GR**	10
GR832	G185188	WVL832GR**	WVH832GR**	13

* Style VL and VH mountings use the same base with a different assembly position.

** Must designate D or U.

WASHGUARD® STYLE F
OUTPUT FLANGE



Reducer Size	Accessory Kit Only Catalog No.	Mod-Squad-Service Number Style F	Weight (lbs)
GR813	G185307	WF813GR	1
GR815	G185308	WF815GR	1
GR818	G185309	WF818GR	2
GR821	G185310	WF821GR	3
GR824	G185311	WF824GR	3
GR826	G185312	WF826GR	4
GR830	G185313	WF830GR	10
GR832	G185314	WF832GR	10

Contact Factory for larger sizes

WASHGUARD®
TORQUE ARM BRACKET



Reducer Size	Accessory Kit Only Catalog No. ▲
GR813	G185630
GR815	G185632
GR818	G185632
GR821	G185633
GR824	G185634
GR826	G185635
GR830	G185636
GR832	G185637

▲ Torque arm bracket mounts to hollow shaft reducer.

WASHGUARD® HOLLOW OUTPUT SHAFT
PROTECTIVE COVERS

Reducer Size	Accessory Kit Only Catalog No.
GR818	Contact Factory
GR821	
GR824	
GR826	



This protective cap mounts to integral output cover side of reducer and covers the unused output bore for single extension or hollow output shaft assemblies. Cover will not mount to bolted cover side of reducer. Check OSHA requirements and review installation manual to assure all safety requirements of gear reducer installation are met.

WASHGUARD®
STYLE BF
OUTPUT
FLANGE



Reducer Size	Accessory Kit Only Catalog No.	Mod-Squad-Service Number Style VH	Weight (lbs)
GR813	G185081	WBF813GR	2
GR818	G185082	WBF818GR	2
GR821	G185083	WBF821GR	3
GR824	G185084	WBF824GR	4
GR826	G185085	WBF826GR	6



STOCK WASHGUARD® GEAR REDUCERS ACCESSORIES



WASHGUARD® STYLE T OR U HORIZONTAL BASE



Reducer Size	Accessory Kit Only Catalog No.	Mod-Squad-Service Number		Weight (lbs)
		Style T	Style U	
NH813	G185320	WT813NH	WU813NH	2
NH815	G185321	WT815NH	WU815NH	3
NH818	G185322	WT818NH	WU818NH	3
NH821	G185323	WT821NH	WU821NH	4
NH824	G185324	WT824NH	WU824NH	4
NH826	G185325	WT826NH	WU826NH	6
NH830	G185326	WT830NH	WU830NH	6
NH832	G185327	WT832NH	WU832NH	9

WASHGUARD® STYLE J VERTICAL INPUT BASE



Reducer Size	Accessory Kit Only Catalog No.	Mod-Squad-Service Number Style J	Weight (lbs)
NH815	G185329	WJ815NH	1
NH818	G185330	WJ818NH	2
NH821	G185331	WJ821NH	3
NH824	G185332	WJ824NH	3
NH826	G185333	WJ826NH	5
NH830	G185334	WJ830NH	6
NH832	G185335	WJ832NH	6

WASHGUARD® HOLLOW SHAFT TIE ROD KIT



(GR SERIES SHOWN)

Reducer Size	Accessory Kit Only Catalog No.	Weight (lbs)
NH813-842	G185088	5
NH852	G185089	5

NOTE: Kit does not include Torque Arm Bracket that mounts to reducer. See "TORQUE ARM BRACKET" table.

WASHGUARD® STYLE VL & VH VERTICAL OUTPUT BASE



Reducer Size	Accessory Kit Only Catalog No.	Mod-Squad-Service Number		Weight (lbs)
		Style VL	Style VH	
NH813	G185336	WVL813NH**	WVH813NH**	2
NH815	G185337	WVL815NH**	WVH815NH**	3
NH818	G185338	WVL818NH**	WVH818NH**	3
NH821	G185339	WVL821NH**	WVH821NH**	7
NH824	G185340	WVL824NH**	WVH824NH**	7
NH826	G185341	WVL826NH**	WVH826NH**	9
NH830	G185342	WVL830NH**	WVH830NH**	10
NH832	G185343	WVL832NH**	WVH832NH**	13

** Must designate D or U.

WASHGUARD® STYLE F OUTPUT FLANGE



Reducer Size	Accessory Kit Only Catalog No.	Mod-Squad-Service Number Style F	Weight (lbs)
NH813	G185344	WF813NH	1
NH815	G185345	WF815NH	1
NH818	G185346	WF818NH	2
NH821	G185347	WF821NH	3
NH824	G185348	WF824NH	3
NH826	G185349	WF826NH	4
NH830	G185350	WF830NH	10
NH832	G185351	WF832NH	10

▼ Output flange must be installed at Factory for all solid output shaft reducers. Flange can only mount to the "bolted cover side" of reducer as standard. Please specify correct mounting assembly with order. Refer to pages 84-85, for assembly positions.

WASHGUARD® TORQUE ARM BRACKET



Reducer Size	Accessory Kit Only Catalog No. ▲
GR813	G185630
GR815	G185644
GR818	G185645
GR821	G185646
GR824	G185647
GR826	G185648
GR830	G185649
GR832	G185650

▲ Torque arm bracket mounts to hollow shaft reducer.

Accessories

WASHGUARD® HOLLOW OUTPUT SHAFT PROTECTIVE COVERS

Reducer Size	Accessory Kit Only Catalog No.
NH818	Contact Factory
NH821	
NH824	
NH826	



This protective cap mounts to integral output cover side of reducer and covers the unused output bore for single extension or hollow output shaft assemblies. Cover will not mount to bolted cover side of reducer. Check OSHA requirements and review installation manual to assure all safety requirements of gear reducer installation are met.



All **PLATINUM** bases and flanges are polished aluminum

ELECTRA-GEAR STOCK PLATINUM GEAR REDUCERS ACCESSORIES

PLATINUM SERIES STYLE T OR U HORIZONTAL BASE



Reducer Size	Accessory Kit Only Catalog No.	Mod-Squad-Service Number		Weight (lbs)
		Style T	Style U	
EL813	G185260P	WT813EL	WU813EL	1
EL818	G185261P	WT818EL	WU818EL	2
EL821	G185262P	WT821EL	WU821EL	3
EL824	G185263P	WT824EL	WU824EL	3
EL826	G185264P	WT826EL	WU826EL	4
EL830	G185265P	WT830EL	WU830EL	6
EL832	G185266P	WT832EL	WU832EL	8

PLATINUM SERIES STYLE J VERTICAL INPUT BASE*



Reducer Size	Accessory* Kit Only Catalog No.	Mod-Squad-Service Number Style J	Weight (lbs)
EL818	G185271	J818EL	2
EL821	G185272	J821EL	3
EL824	G185273	J824EL	3
EL826	G185274	J826EL	4
EL830	G185275	J830EL	5
EL832	G185276	J832EL	5

* Painted white epoxy.

PLATINUM SERIES STYLE VL VERTICAL OUTPUT BASE*



Reducer Size	Accessory Kit Only Catalog No.	Mod-Squad-Service Number Style VL	Weight (lbs)
EL818	G185279	VL818EL**	3
EL821	G185280	VL821EL**	3
EL824	G185281	VL824EL**	3
EL826	G185282	VL826EL**	4
EL830	G185283	VL830EL**	6
EL832	G185284	VL832EL**	7

* Painted white epoxy.

** Must designate D or V.

STYLE F & FR OUTPUT FLANGE KITS



Reducer Size	Accessory Kit Only Catalog No.	Mod-Squad Service Number	Accessory Kit Only Catalog No.	Mod-Squad Service Number	Weight (lbs)
EL813	—	—	—	—	—
EL818	G185287P	WF818EL	G185298P	WFR818EL	2
EL821	G185288P	WF821EL	G185299P	WFR821EL	3
EL824	G185289P	WF824EL	G185300P	WFR824EL	3
EL826	G185289P	WF826EL	G185300P	WFR826EL	3
EL830	G185291P	WF830EL	G185302P	WFR830EL	6
EL832	G185291P	WF832EL	G185303P	WFR832EL	7

HOLLOW SHAFT TIE ROD KIT



(GR SERIES SHOWN)

Reducer Size	Accessory Kit Only Catalog No.	Weight (lbs)
EL813-842	G185088	5
EL852-860	G185089	5

NOTE: Kit does not include Torque Arm Bracket that mounts to reducer. See "TORQUE ARM BRACKET" table.

TORQUE ARM BRACKET



Reducer Size	Accessory Kit Only Catalog No. ▲
EL813	G185479
EL818	G185480
EL821	G185481
EL824	G185472
EL826	G185473
EL830	G185474
EL832	G185475

▲ Torque arm bracket mounts to hollow shaft reducer.



STAINLESS STEEL STYLE T OR U HORIZONTAL BASE



Stainless Steel Style T or U Horizontal Base • GR Series

Series	Accessory Kit Only Catalog No.	Mod-Squad-Service Number		Weight (lbs)
		Style T	Style U	
GR813	G185350	ST813	SU813	2
GR815	G185351	ST815	SU815	3
GR818	G185352	ST818	SU818	3
GR821	G185353	ST821	SU821	4
GR824	G185354	ST824	SU824	4
GR826	G185355	ST826	SU826	6
GR830	—	—	—	—
GR832	G185356	ST832	SU832	9

STOCK STAINLESS STEEL GEAR REDUCERS ACCESSORIES

STAINLESS STEEL STYLE F OUTPUT FLANGE



Stainless Steel Style F Output Flange • GR Series

Series	Accessory Kit Only Catalog No.	Mod-Squad-Service Number Style F	Weight (lbs)
GR813	G185357	SF813	1
GR815	G185358	SF815	1
GR818	G185359	SF818	2
GR821	G185360	SF821	3
GR824	G185361	SF824	3
GR826	G185362	SF826	4
GR830	—	—	—
GR832	G185363	SF832	10

Accessories