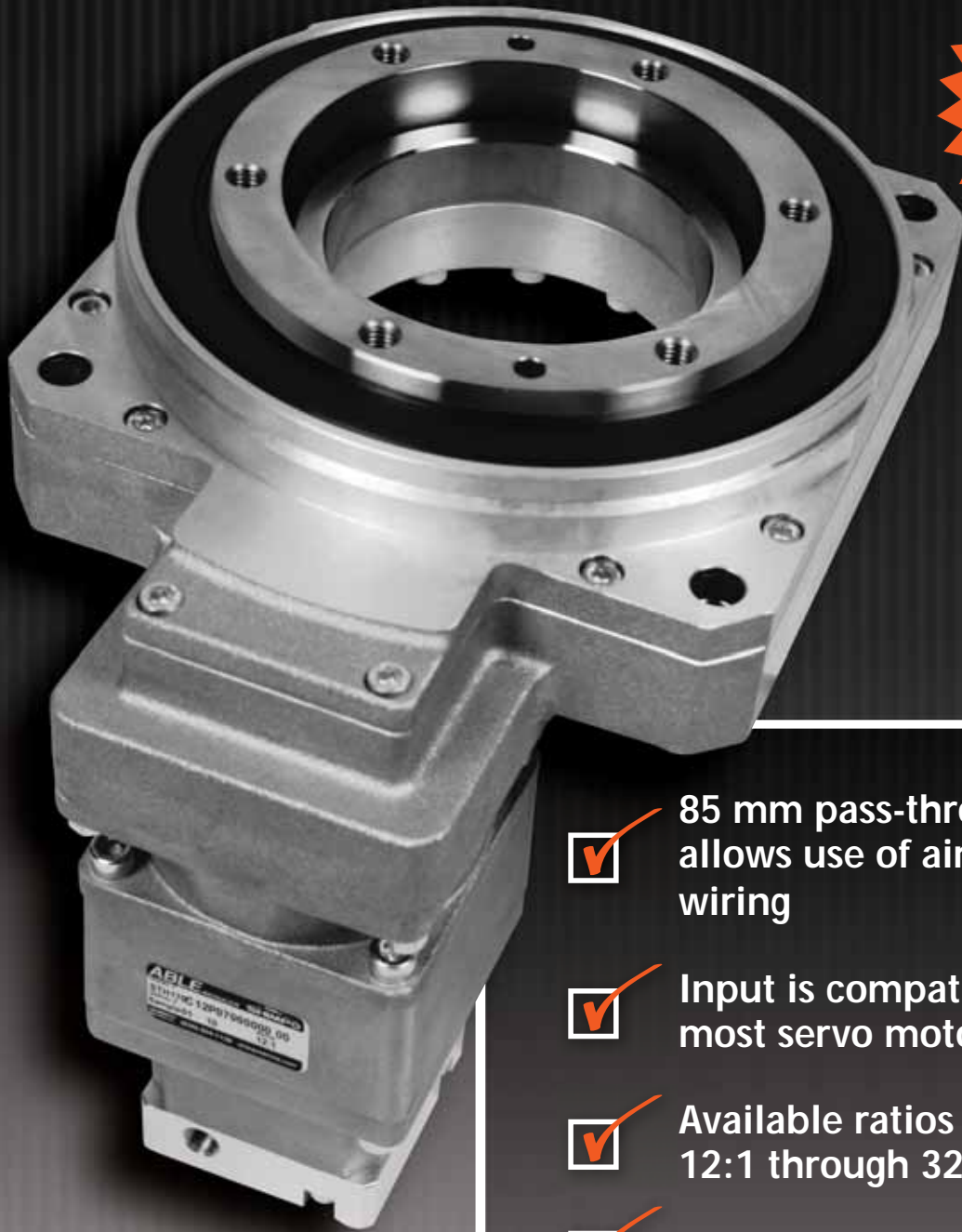


SHIMPO **STH**-Series

Hollow Output Rotary Actuators

NEW



- ✓ 85 mm pass-through hole allows use of air lines or wiring
- ✓ Input is compatible with most servo motor brands
- ✓ Available ratios range from 12:1 through 324:1
- ✓ Shipped from stock

*Changing the
Speed of Industry...*

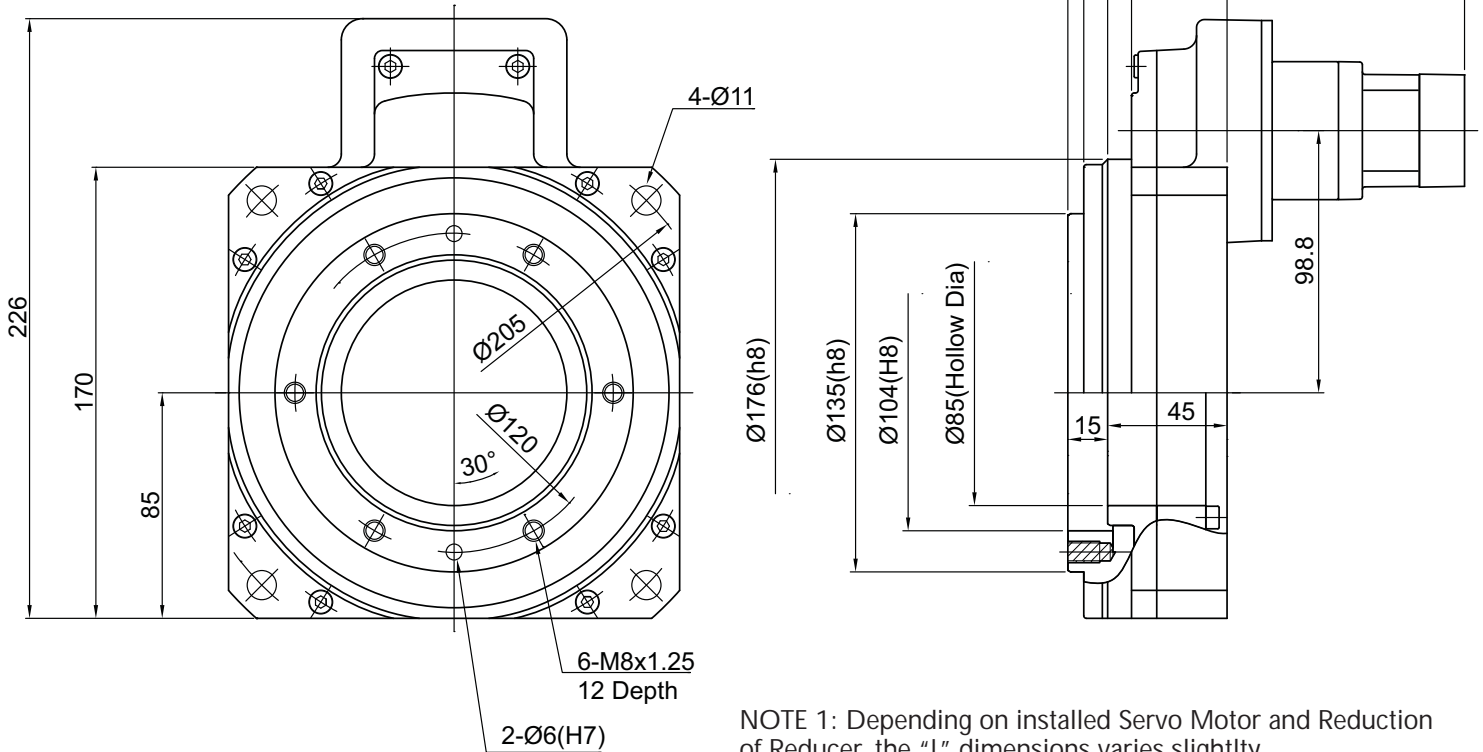
A *Nidec* Group Company

SHIMPO All for dreams

SHIMPO DRIVES, INC. • 1701 Glenlake Avenue Itasca, IL 60143 USA • Phone: (630) 924-7138 or (800) 842-1479 • Fax: (630) 924-7382
www.shimpodrives.com • info@shimpodrives.com

STHAF Dimensions & Specifications

| DIMENSION | | SYMBOLS | FRAME SIZE | | | |
|----------------|------------------|---------|------------|-------|-------|-------|
| | | | B | | C | |
| OVERALL LENGTH | Double Reduction | L | mm | in | mm | in |
| | Triple Reduction | | | 149.5 | 5.886 | 204.5 |
| | | | 155.0 | 6.102 | 207.0 | 8.150 |



NOTE 1: Depending on installed Servo Motor and Reduction of Reducer, the "L" dimensions varies slightly.

Typical Specifications

| Specifications | Units | B | C |
|-------------------------------|-----------------------------|---|------------|
| Double Reduction Ratios | _:1 | 12 , 20 , 36 | |
| Triple Reduction Ratios | _:1 | 60 , 80 , 100 , 140 , 180 , 324 | |
| Efficiency (at Rating Torque) | % | 70 | 85 |
| Max. Acceleration Torque | Nm (in-lbs) | 36 (319) | 160 (1416) |
| Maximum Input Speed | rpm | 6000 | 6000 |
| Emergency Stop Torque | Nm (in-lbs) | 54 (478) | 240 (2124) |
| Nominal Torque | Nm (in-lbs) | 18 (159) | 85 (752) |
| Nominal Input Speed | rpm | 3000 | 3000 |
| Backlash | arc-min | 10 (Standard) , 5 (Low) , 2 (Precision) | |
| Torsional Stiffness | Nm/arc-min (in-lbs/arc-min) | 7.6 (67.3) | |
| Max. Output Shaft Thrust Load | N (lbs) | 4000 (900) | 4000 (900) |
| Unit Life | h | 20000 | |
| Weight | kg (lbs) | 5.9 (13) | 7.4 (16) |
| Noise Level (at No Load) | dB-A | 65 | 65 |
| Maximum Unit Temp. | °C (°F) | 90 (194) | |
| Ambient Temp. | °C (°F) | 0-40 (32-104) | |
| Lubrication | - | Grease | |
| Painting | - | Silver | |
| Protection | - | IP65 | |