



# SUB-FHP AC GEARMOTORS

## PARALLEL SHAFT GEARMOTORS

### 25-341 In-Lbs Output Torque

#### Design Specifications:

Sub-FHP AC gearmotors. Totally enclosed for continuous duty, general purpose applications. All rated for 60/50 Hz operation except hi-torque single-phase which are 60 Hz only.

Gearbox has rugged aluminum die cast housing, for maximum gear and bearing support. Precision machined gearing, hardened for maximum load capability. All gearing designed and rated to AGMA Class 9 standards and to withstand momentary shock overload of 200%. Oversized output bearings for greater overhung load capacity and longer life. High-carbon alloy output shaft provides maximum strength and rigidity. All needle bearing journals are precision-ground after heat treating, to provide maximum finish and fit. Single lip, spring loaded, heavy-duty industrial oil seals help keep lubricant in and dirt out. Gears and bearings are splash lubricated with permanent, heavy-duty gear oil.

#### Application Notes:

These gearmotors are designed for mounting at any angle, but shaft-up with motor below gearhead is not recommended.

Run capacitor supplied with gearmotor at no additional cost. **Three phase and hi-torque single-phase models include conduit box, other single-phase models do not.** See page 179 for optional conduit box.

Overhung load capacities shown are at center of output shaft.

Model PE350 gearmotors have the same mounting dimensions as Bodine's "E" box and many Baldor/Boehm gearmotors.



### PE350 SERIES AC GEARMOTORS SINGLE PHASE • PARALLEL SHAFT • TEFC • 115/230V

60 Hz Output RPM	F.L.F.L. Torque (Lb.In.)	Input HP	Catalog Number	Type & Frame	Ratio to 1	Amps 115V AC	Overhung Load Lbs.	DIMENSIONS XL XH Inches		Capacitor Mfd. 240VAC
5	310	1/12	096000.00'	PE353-42	336	1.3	565	11.36	9.36	10.0
9	341	1/12	096001.00'	PE353-42	180	1.3	491	11.36	9.36	10.0
14	330	1/12	096002.00'	PE353-42	124	1.3	459	11.36	9.36	10.0
19	250	1/12	096003.00'	PE353-42	91	1.3	374	11.36	9.36	10.0
29	270	1/6	096004.00	PE353-42	58	3.2	327	13.32	11.32	15.0
34	250	1/6	096005.00	PE353-42	50	3.2	330	13.32	11.32	15.0
40	180	1/6	096006.00 A	PE353-42	43	3.2	303	13.32	11.32	15.0
59	135	1/6	096007.00 A	PE352-42	29	3.2	267	13.32	11.32	15.0
75	90	1/6	096008.00	PE352-42	23	3.2	256	13.32	11.32	15.0
113	68	1/6	096009.00	PE352-42	15	3.2	222	13.32	11.32	15.0
160	45	1/6	096010.00 A	PE352-42	10	3.2	196	13.32	11.32	15.0
340	25	1/6	096011.00	PE352-42	5	3.2	190	13.32	11.32	15.0

#### Hi-Torque Single Phase PE350 Gearmotors With Capacitor Start Motors

58	320	1/3	096049.00	PE353-42	30	7.2	300	14.56	12.56	...
85	218	1/3	096050.00	PE353-42	20	7.2	300	14.56	12.56	...
173	109	1/3	096051.00	PE353-42	10	7.2	300	14.56	12.56	...
345	55	1/3	096052.00 A	PE353-42	5	7.2	300	14.56	12.56	...

# TENV enclosure

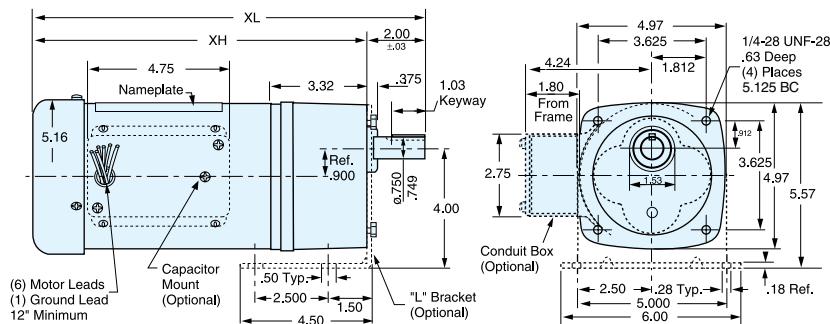
### PE350 SERIES AC GEARMOTORS THREE PHASE • PARALLEL SHAFT • TEFC • 230/460V

Output RPM	F.L. Torque (Lb.In.)	Input HP	Catalog Number	Type & Frame	Ratio to 1	F.L. Amps 230V AC	Overhung Load Lbs.	DIMENSIONS XL XH Inches	
58	320	1/3	096013.00	PE353-42	30	1.6	300	13.81	11.81
85	218	1/3	096014.00	PE352-42	20	1.6	300	13.81	11.81
173	109	1/3	096015.00	PE352-42	10	1.6	300	13.81	11.81
345	55	1/3	096016.00	PE352-42	5	1.6	300	13.81	11.81

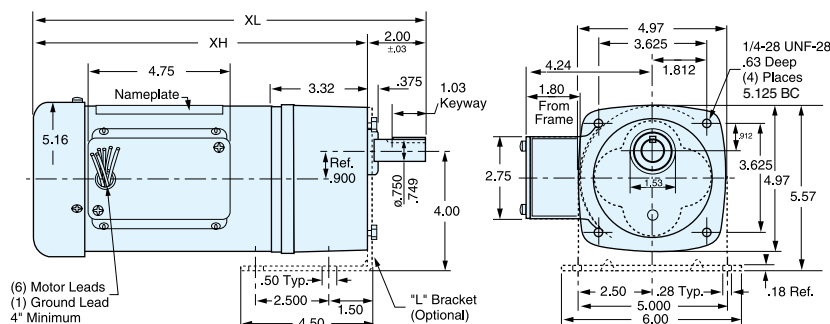
A Subject to Availability.

**BODINE  
DIRECT  
INTERCHANGE**

#### PE350 SINGLE PHASE



#### PE350 THREE PHASE



ALL DIMENSIONS IN INCHES

Specifications are subject to change without notice