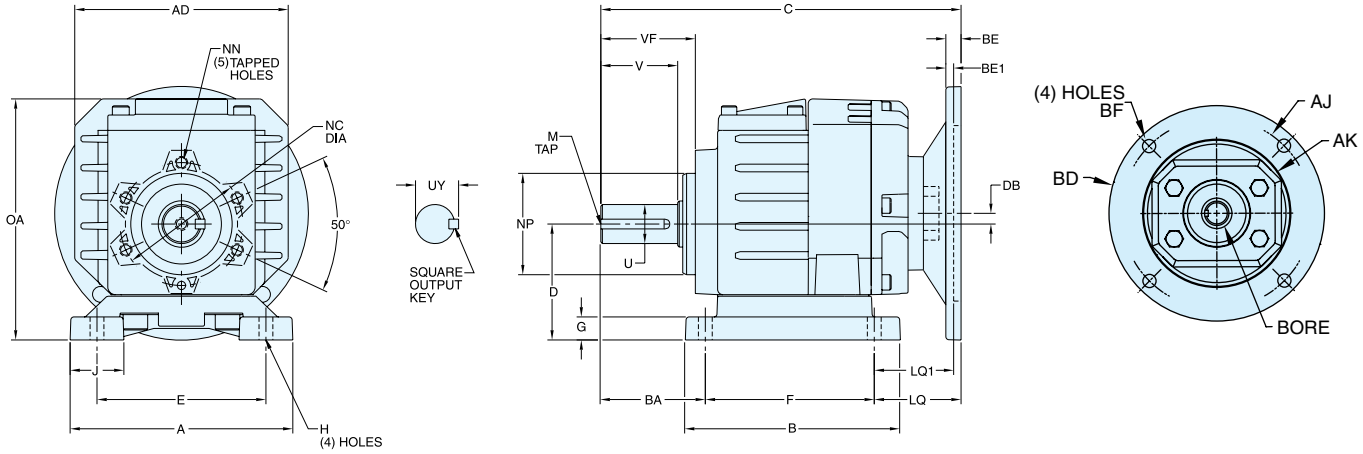




MOTORIZED • BASE MOUNT



Helical In-line Gear Reducers

Motorized Quill Input, Double Reduction (B1 Base Mount Shown)

Size	A	AD	B	BA	C		D	DB	E	F	G	H	J	LQ	LQ1	M	
					56/140	180								56/140	180	TAP	DEPTH
P7172	5.71	5.47	5.51	2.28	8.83	NA	2.95	0.27	4.33	4.33	0.59	0.35	1.38	2.23	NA	1/4-20	0.62
P7272	5.71	5.47	6.02	2.95	9.23	NA	3.54	0.27	4.33	5.12	0.79	0.35	1.38	1.16	NA	5/16-18	0.75
P7472	6.69	7.01	7.76	3.54	11.49	12.02	4.53	0.21	5.31	6.50	0.94	0.55	1.65	1.45	1.98	5/16-18	0.75
P7572	6.69	7.95	7.76	3.54	12.20	12.73	4.53	0.61	5.31	6.50	0.94	0.55	1.65	2.16	2.69	5/16-18	0.75

Size	NC	NP	NN		OA	U +0.000/ -0.001	UY	V	VF	Output Key
			TAP	DEPTH						
P7172	3.15	2.60	M8	0.67	6.12	0.750	0.83	1.57	2.02	3/16 x 1.12
P7272	3.15	2.60	M8	0.67	6.71	1.000	1.11	1.97	2.40	1/4 x 1.62
P7472	4.84	4.17	M10	0.71	8.52	1.250	1.36	2.36	2.97	1/4 x 2.00
P7572	4.84	4.17	M10	0.71	8.58	1.250*	1.36	2.36	2.97	1/4 x 2.00

Frame	AJ	AK	BD	BE	BE1	Bore Dia.	Keyway	BF
56C	5.88	4.50	6.50	0.38	N/A	0.625	3/16 X 3/32	0.41
140TC	5.88	4.50	6.50	0.38	N/A	0.875	3/16 X 3/32	0.41
180TC	7.25	8.50	8.50	N/A	0.50	1.125	1/4 X 1/8	0.53

Motorized Quill Input, Triple Reduction (B1 Base Mount Shown)

Size	A	AD	B	BA	C	D	DB	E	F	G	H	J	LQ	M	
														TAP	DEPTH
P7173	5.71	5.47	5.51	2.28	9.60	2.95	0.13	4.33	4.33	0.59	0.35	1.38	2.99	1/4-20	0.62
P7273	5.71	5.47	6.02	2.95	10.00	3.54	0.13	4.33	5.12	0.79	0.35	1.38	1.93	5/16-18	0.75
P7473	6.69	7.01	7.76	3.54	11.83	4.53	0.59	5.31	6.50	0.94	0.55	1.65	1.83	5/16-18	0.75
P7573	6.69	7.95	7.76	3.54	12.55	4.53	0.61	5.31	6.50	0.94	0.55	1.65	2.51	5/16-18	0.75

Size	NC	NP	NN		OA	U +0.000/ -0.001	UY	V	VF	Output Key
			TAP	DEPTH						
P7173	3.15	2.60	M8	0.67	6.12	0.750	0.83	1.57	2.02	3/16 x 1.12
P7273	3.15	2.60	M8	0.67	6.71	1.000	1.11	1.97	2.40	1/4 x 1.62
P7473	4.84	4.17	M10	0.71	8.52	1.250	1.36	2.36	2.97	1/4 x 2.00
P7573	4.84	4.17	M10	0.71	8.58	1.250*	1.36	2.36	2.97	1/4 x 2.00

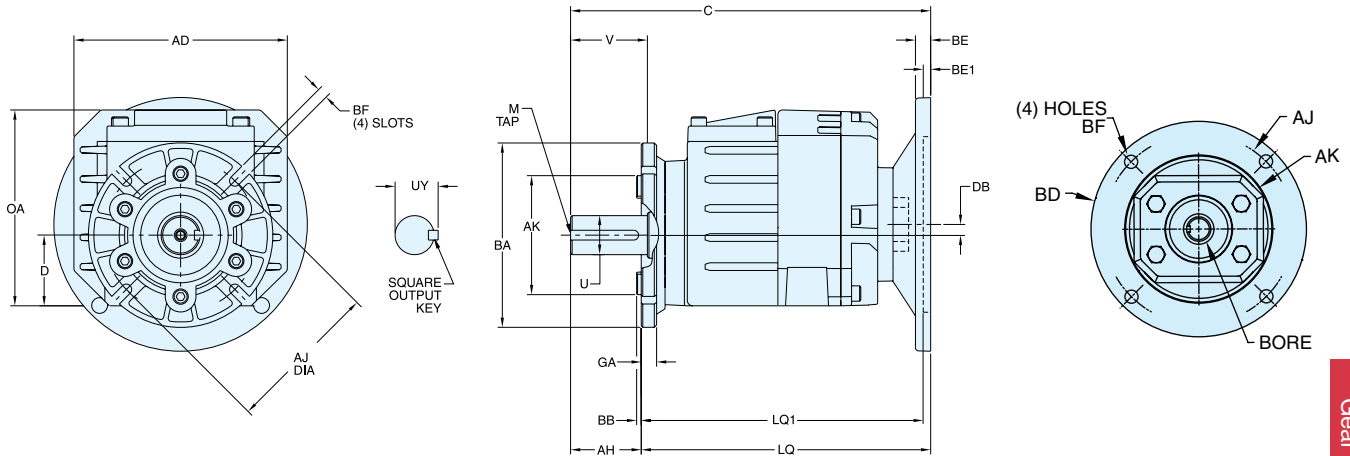
Frame	AJ	AK	BD	BE	BE1	Bore Dia.	Keyway	BF
56C	5.88	4.50	6.50	0.38	N/A	0.625	3/16 X 3/32	0.41
140TC	5.88	4.50	6.50	0.38	N/A	0.875	3/16 X 3/32	0.41

*1.375" diameter shaft is available. Contact Factory for availability.

B1 Base Mount is shown. See pages 472-473 for all available interchange bases

For NEMA motor mounting dimensions see page 476.

MOTORIZED • FLANGE MOUNT



Motorized Quill Input, Double Reduction (F1 Flange Mount Shown)

Size	AD	AH	AJ	AKn	BA	BB	BF	C		D	DB	GA
P7172	5.47	1.41	3.94	3.15	4.72	0.12	0.28	8.83	180	1.81	0.27	0.39
P7272	5.47	1.79	3.94	3.15	4.72	0.12	0.28	9.23	N/A	1.81	0.27	0.39
P7472	7.01	2.24	5.12	4.33	6.30	0.14	0.43	11.49	12.02	2.76	0.21	0.61
P7572	7.95	2.60	5.12	4.33	6.30	0.14	0.43	12.20	12.73	2.76	0.61	0.61

Size	LQ 56C/140TC	LQ1	M TAP	DEPTH	OA	U +0.000/ -0.001	UY	V	Output Key
P7172	7.42	N/A	1/4-20	0.62	5.02	0.750	0.83	1.57	3/16 x 1.12
P7272	7.44	N/A	5/16-18	0.75	5.02	1.000	1.11	1.97	1/4 x 1.62
P7472	9.25	9.78	5/16-18	0.75	6.75	1.250	1.36	2.36	1/4 x 2.00
P7572	10.00	10.53	5/16-18	0.75	6.81	1.250*	1.36	2.36	1/4 x 2.00

Frame	AJ	AK	BD	BE	BE1	Bore Dia.	Keyway	BF
56C	5.88	4.50	6.50	0.38	N/A	0.625	3/16 X 3/32	0.41
140TC	5.88	4.50	6.50	0.38	N/A	0.875	3/16 X 3/32	0.41
180TC	7.25	8.50	8.50	N/A	0.50	1.125	1/4 X 1/8	0.53

Motorized Quill Input, Triple Reduction (F1 Flange Mount Shown)

Size	AD	AH	AJ	AKn	BA	BB	BF	C	D	DB	GA
P7173	5.47	1.41	3.94	3.15	4.72	0.12	0.28	9.60	1.81	0.13	0.39
P7273	5.47	1.79	3.94	3.15	4.72	0.12	0.28	10.00	1.81	0.13	0.39
P7473	7.01	2.24	5.12	4.33	6.30	0.14	0.43	11.83	2.76	0.59	0.61
P7573	7.95	2.60	5.12	4.33	6.30	0.14	0.43	12.55	2.76	0.61	0.61

Size	LQ 56C/140TC	LQ1	M TAP	DEPTH	OA	U +0.000/ -0.001	UY	V	Output Key
P7173	8.19	N/A	1/4-20	0.62	5.02	0.750	0.83	1.57	3/16 x 1.12
P7273	8.21	N/A	5/16-18	0.75	5.02	1.000	1.11	1.97	1/4 x 1.62
P7473	9.59	9.78	5/16-18	0.75	6.75	1.250	1.36	2.36	1/4 x 2.00
P7573	10.35	10.53	5/16-18	0.75	6.81	1.250*	1.36	2.36	1/4 x 2.00

Frame	AJ	AK	BD	BE	BE1	Bore Dia.	Keyway	BF
56C	5.88	4.50	6.50	0.38	N/A	0.625	3/16 X 3/32	0.41
140TC	5.88	4.50	6.50	0.38	N/A	0.875	3/16 X 3/32	0.41

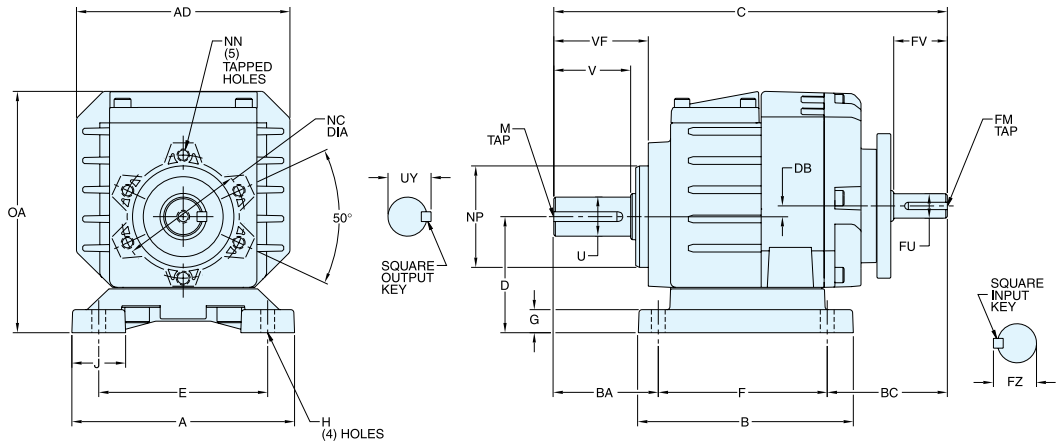
*1.375" diameter shaft is available. Contact Factory for availability.
 n Tolerance of AK on flanges with BA dimension under 6.30" is -0.0014 to -0.0028".
 Flanges with a BA of 6.30" or larger have a AK tolerance of -0.0017 to -0.0033".

F1 Flange Mount is shown. See page 474 for all available output flanges

For NEMA motor mounting dimensions see page 476.



NON-MOTORIZED • BASE MOUNT



Non-Motorized, Double Reduction (B1 Base Mount Shown)

Size	A	AD	B	BA	BC	C	D	DB	E	F	FM		FU +0.000/ -0.001	FV	FZ	G	H	J
											TAP	DEPTH						
P7172	5.71	5.47	5.51	2.28	3.28	9.88	2.95	0.27	4.33	4.33	1/4-20	0.62	0.625	1.57	0.70	0.59	0.35	1.38
P7272	5.71	5.47	6.02	2.95	2.20	10.26	3.54	0.27	4.33	5.12	1/4-20	0.62	0.625	1.57	0.70	0.79	0.35	1.38
P7472	6.69	7.01	7.76	3.54	2.96	13.00	4.53	0.21	5.31	6.50	5/16-18	0.75	0.750s	1.97	0.83	0.94	0.55	1.65
P7572	6.69	7.95	7.76	3.54	3.63	13.67	4.53	0.61	5.31	6.50	5/16-18	0.75	0.750s	1.97	0.83	0.94	0.55	1.65

Size	M		NC	NN		NP	OA	U +0.000/ -0.001	UY	V	VF	Input Key	Output Key
	TAP	DEPTH		TAP	DEPTH								
P7172	1/4-20	0.62	3.15	M8	0.67	2.60	6.12	0.750	0.83	1.57	2.02	3/16 x 1.12	3/16 x 1.12
P7272	5/16-18	0.75	3.15	M8	0.67	2.60	6.71	1.000	1.11	1.97	2.40	3/16 x 1.12	1/4 x 1.62
P7472	5/16-18	0.75	4.84	M10	0.71	4.17	8.52	1.250	1.36	2.36	2.97	3/16 x 1.50	1/4 x 2.00
P7572	5/16-18	0.75	4.84	M10	0.71	4.17	8.58	1.250*	1.36	2.36	2.97	3/16 x 1.50	1/4 x 2.00

Frame	AJ	AK	BD	BE	BE1	Bore Dia.	Keyway	BF
56C	5.88	4.50	6.50	0.38	N/A	0.625	3/16 X 3/32	0.41
140TC	5.88	4.50	6.50	0.38	N/A	0.875	3/16 X 3/32	0.41
180TC	7.25	8.50	8.50	N/A	0.50	1.125	1/4 X 1/8	0.53

Non-Motorized, Triple Reduction (B1 Base Mount Shown)

Size	A	AD	B	BA	BC	C	D	DB	E	F	FM		FU +0.000/ -0.001	FV	FZ	G	H	J
											TAP	DEPTH						
P7173	5.71	5.47	5.51	2.28	3.45	10.06	2.95	0.13	4.33	4.33	1/4-20	0.62	0.625	1.57	0.70	0.59	0.35	1.38
P7273	5.71	5.47	6.02	2.95	2.38	10.44	3.54	0.13	4.33	5.12	1/4-20	0.62	0.625	1.57	0.70	0.59	0.35	1.38
P7473	6.69	7.01	7.76	3.54	2.88	12.92	4.53	0.59	5.31	6.50	5/16-18	0.75	0.750	1.57	0.83	0.94	0.55	1.65
P7573	6.69	7.95	7.76	3.54	3.56	13.60	4.53	0.61	5.31	6.50	5/16-18	0.75	0.750	1.57	0.83	0.94	0.55	1.65

Size	M		NC	NN		NP	OA	U +0.000/ -0.001	UY	V	VF	Input Key	Output Key
	TAP	DEPTH		TAP	DEPTH								
P7173	1/4-20	0.62	3.15	M8	0.67	2.60	6.12	0.750	0.83	1.57	2.02	3/16 x 1.12	3/16 x 1.12
P7273	5/16-18	0.75	3.15	M8	0.67	2.60	6.71	1.000	1.11	1.97	2.40	3/16 x 1.12	1/4 x 1.62
P7473	5/16-18	0.75	4.84	M10	0.71	4.17	8.52	1.250	1.36	2.36	2.97	3/16 x 1.50	1/4 x 2.00
P7573	5/16-18	0.75	4.84	M10	0.71	4.17	8.58	1.250*	1.36	2.36	2.97	3/16 x 1.50	1/4 x 2.00

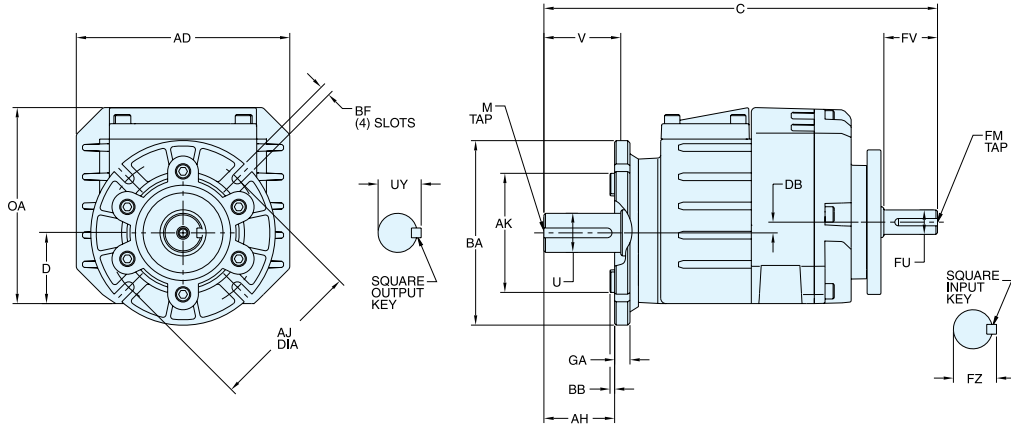
Frame	AJ	AK	BD	BE	BE1	Bore Dia.	Keyway	BF
56C	5.88	4.50	6.50	0.38	N/A	0.625	3/16 X 3/32	0.41
140TC	5.88	4.50	6.50	0.38	N/A	0.875	3/16 X 3/32	0.41

* 1.375" diameter shaft is available. Contact Factory for availability.
 s 0.875" diameter shaft is available on 2-stage reducers only. Contact factory for availability.

B1 Base Mount is shown. See pages 472-473 for all available interchange bases

For NEMA motor mounting dimensions see page 476.

NON-MOTORIZED • FLANGE MOUNT



Non-Motorized, Double Reduction (F1 Flange Mount Shown)

Size	AD	AH	AJ	AKn	BA	BB	BF	C	D	DB	FM		FU +0.000/ -0.001	FV	FZ
											TAP	DEPTH			
P7172	5.47	1.41	3.94	3.15	4.72	0.12	0.28	9.88	1.81	0.27	1/4-20	0.62	0.625	1.57	0.70
P7272	5.47	1.79	3.94	3.15	4.72	0.12	0.28	10.26	1.81	0.27	1/4-20	0.62	0.625	1.57	0.70
P7472	7.01	2.24	5.12	4.33	6.30	0.14	0.43	13.00	2.76	0.21	5/16-18	0.75	0.750s	1.97	0.83
P7572	7.95	2.60	5.12	4.33	6.30	0.14	0.43	13.67	2.76	0.61	5/16-18	0.75	0.750s	1.97	0.83

Size	GA	LQ		LQ1 180TC	M		OA	U +0.000/ -0.001	UY	V	Input Key	Output Key
		56C/140TC 2-Stage	3-Stage		TAP	DEPTH						
P7172	0.39	7.42	8.19	N/A	1/4-20	0.62	5.02	0.750	0.83	1.57	3/16 x 1.12	3/16 x 1.12
P7272	0.39	7.44	8.21	N/A	1/4-20	0.62	5.02	1.000	1.11	1.97	3/16 x 1.12	1/4 x 1.62
P7472	0.61	9.25	9.59	9.78	5/16-18	0.75	6.75	1.250	1.36	2.36	3/16 x 1.50	1/4 x 2.00
P7572	0.61	10.00	10.35	10.53	5/16-18	0.75	6.81	1.250*	1.36	2.36	3/16 x 1.50	1/4 x 2.00

Frame	AJ	AK	BD	BE	BE1	Bore Dia.	Keyway	BF
56C	5.88	4.50	6.50	0.38	N/A	0.625	3/16 X 3/32	0.41
140TC	5.88	4.50	6.50	0.38	N/A	0.875	3/16 X 3/32	0.41
180TC	7.25	8.50	8.50	N/A	0.50	1.125	1/4 X 1/8	0.53

Non-Motorized, Triple Reduction (F1 Flange Mount Shown)

Size	AD	AH	AJ	AKn	BA	BB	BF	C	D	DB	FM		FU +0.000/ -0.001	FV	FZ
											TAP	DEPTH			
P7173	5.47	1.41	3.94	3.15	4.72	0.12	0.28	10.06	1.81	0.13	1/4-20	0.62	0.625	1.57	0.70
P7273	5.47	1.79	3.94	3.15	4.72	0.12	0.28	10.44	1.81	0.13	1/4-20	0.62	0.625	1.57	0.70
P7473	7.01	2.24	5.12	4.33	6.30	0.14	0.43	12.92	2.76	0.59	5/16-18	0.75	0.750	1.57	0.83
P7573	7.95	2.60	5.12	4.33	6.30	0.14	0.43	13.60	2.76	0.61	5/16-18	0.75	0.750	1.57	0.83

Size	GA	LQ		LQ1 180TC	M		OA	U +0.000/ -0.001	UY	V	Input Key	Output Key
		56C/140TC 2-Stage	3-Stage		TAP	DEPTH						
P7173	0.39	7.42	8.19	N/A	1/4-20	0.62	5.02	0.750	0.83	1.57	3/16 x 1.12	3/16 x 1.12
P7273	0.39	7.44	8.21	N/A	5/16-18	0.75	5.02	1.000	1.11	1.97	3/16 x 1.12	1/4 x 1.62
P7473	0.61	9.25	9.59	9.78	5/16-18	0.75	6.75	1.250	1.36	2.36	3/16 x 1.50	1/4 x 2.00
P7573	0.61	10.00	10.35	10.53	5/16-18	0.75	6.81	1.250*	1.36	2.36	3/16 x 1.50	1/4 x 2.00

Frame	AJ	AK	BD	BE	BE1	Bore Dia.	Keyway	BF
56C	5.88	4.50	6.50	0.38	N/A	0.625	3/16 X 3/32	0.41
140TC	5.88	4.50	6.50	0.38	N/A	0.875	3/16 X 3/32	0.41

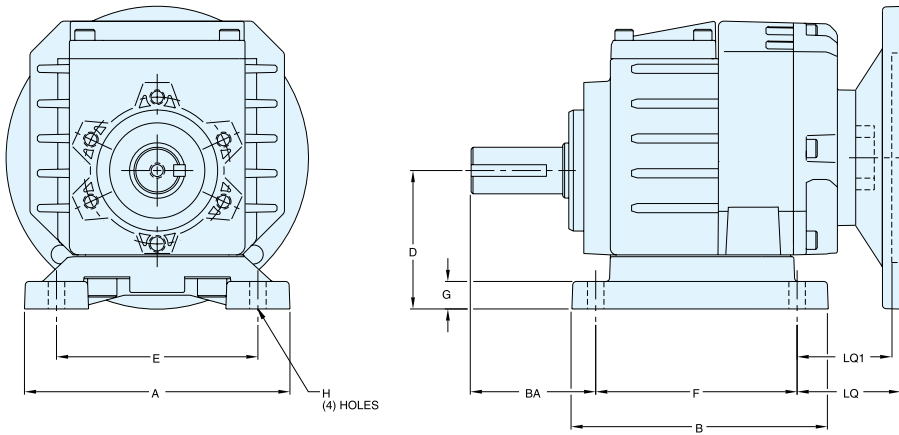
* 1.375" diameter shaft is available. Contact Factory for availability.
 s 0.875" diameter shaft is available on 2-stage reducers only. Contact Factory for availability.
 n Tolerance of AK on flanges with BA dimension under 6.30" is -0.0014 to -0.0028". Flanges with a BA of 6.30" or larger have a AK tolerance of -0.0017 to -0.0033".

F1 Flange Mount is shown. See page 474 for all available output flanges

For NEMA motor mounting dimensions see page 476.



HELICAL-INLINE INTERCHANGE BASE SELECTIONS



Base Mounting Dimensions
Motorized Quill Input

Helical - Inline
Gear Reducers

Size 717 • Interchange Base Selections • Mod-Squad Codes • Accessory Kits

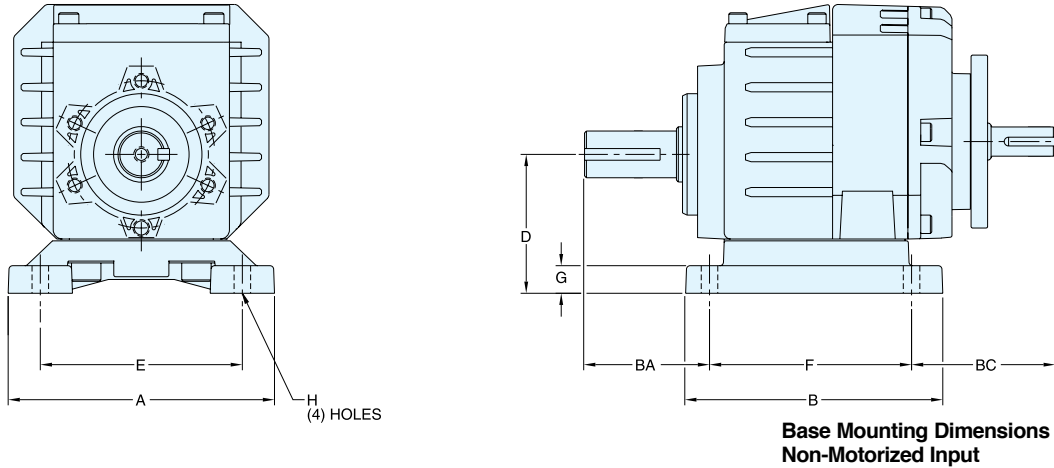
Interchange With:	Mod-Squad Suffix Code (XX)	Accessory Kit No.	Critical Interchange Dimensions (Inches)										LQ - 56C/140TC			
			A	B	BA	BC		D	E	F	G	H	2-Stage	3-Stage		
No Base	00	N/A														
SEW R17	B1	G175710	5.71	5.51	2.28	3.28	3.45	2.95	4.33	4.33	0.59	0.35	2.23	2.99		
SEW R32	B1	G175710	5.71	5.51	2.28	4.25	4.43	2.95	4.33	3.35	0.59	0.35	3.20	3.97		
Bonfiglioli C10	B2**	G175711	5.71	5.51	2.28	4.17	4.35	3.35	4.33	3.43	0.99	0.35	3.12	3.89		
Brook Hansen SFN03B	B1	G175710	5.71	5.51	2.28	3.28	3.45	2.95	4.33	3.35	0.59	0.35	2.23	2.99		
Browning CbN20	B1	G175710	5.71	5.51	2.28	3.28	3.45	2.95	4.33	3.35	0.59	0.35	2.23	2.99		
David Brown M03	B1	G175710	5.71	5.51	2.28	3.28	3.45	2.95	4.33	3.35	0.59	0.35	2.23	2.99		
Falk 03UC	B1	G175710	5.71	5.51	2.28	3.28	3.45	2.95	4.33	3.35	0.59	0.35	2.23	2.99		
Grove 2032/3	B1	G175710	5.71	5.51	2.28	3.28	3.45	2.95	4.33	3.35	0.59	0.35	2.23	2.99		
Hansen 0	B1	G175710	5.71	5.51	2.28	3.28	3.45	2.95	4.33	3.35	0.59	0.35	2.23	2.99		
Lenze 4	B3	G175712	5.67	4.41	2.01	4.88	5.06	3.15	4.13	2.99	0.40	0.35	3.83	4.60		
Leroy Somer NXT N20	B1	G175710	5.71	5.51	2.28	3.28	3.45	2.95	4.33	3.35	0.59	0.35	2.23	2.99		
Motovario 032/3	B1	G175710	5.71	5.51	2.28	3.28	3.45	2.95	4.33	3.15	0.59	0.35	2.23	2.99		
Nord SK02	B4	G175713	5.67	4.41	1.97	5.55	5.73	3.39	4.33	2.36	0.64	0.35	4.50	5.27		
Nord SK172	B1	G175710	5.71	5.51	2.28	3.28	3.45	2.95	4.33	4.33	0.59	0.35	2.23	2.99		
Stober C002/3	B5	G175714	5.67	4.41	2.17	5.27	5.45	3.23	4.33	2.44	0.48	0.28	4.22	4.99		
Sumitomo 4085	B6	G175715	5.67	4.41	1.85	5.67	5.85	3.15	4.72	2.36	0.40	0.35	4.62	5.39		

Size 727 • Interchange Base Selections • Mod-Squad Codes • Accessory Kits

Interchange With:	Mod-Squad Suffix Code (XX)	Accessory Kit No.	Critical Interchange Dimensions (Inches)										LQ - 56C/140TC		
			A	B	BA	BC		D	E	F	G	H	2-Stage	3-Stage	
No Base	00	N/A													
SEW R27	B1	G175717	5.71	6.02	2.95	2.20	2.38	3.54	4.33	5.12	0.79	0.35	1.15	2.99	
SEW R37	B1	G175717	5.71	6.02	2.95	2.20	2.38	3.54	4.33	5.12	0.79	0.35	1.15	2.99	
SEW R40	B1	G175717	5.71	6.02	2.95	2.20	2.38	3.54	4.33	5.12	0.79	0.35	1.15	2.99	
Bonfiglioli C20	B2	G175718	6.10	5.35	2.68	3.35	3.53	3.94	5.12	4.23	0.67	0.43	2.32	3.09	
Brook Hansen SFN15B	B1	G175717	5.71	6.02	2.95	2.20	2.38	3.54	4.33	5.12	0.79	0.35	1.15	2.99	
Browning CbN21	B3	G175719	5.31	6.12	2.63	1.13	1.31	3.15	4.33	6.50	0.62	0.35	0.10	0.87	
David Brown M04	B1	G175717	5.71	6.02	2.95	2.20	2.38	3.54	4.33	5.12	0.79	0.35	1.15	2.99	
Dodge Quantis HB38	B1	G175717	5.71	6.02	2.95	2.20	2.38	3.54	4.33	5.12	0.79	0.35	1.15	2.99	
Falk 04UC	B1	G175717	5.71	6.02	2.95	2.20	2.38	3.54	4.33	5.12	0.79	0.35	1.15	2.99	
Flender/Motox D30	B1	G175717	5.71	6.02	2.95	2.20	2.38	3.54	4.33	5.12	0.79	0.35	1.15	2.99	
Grove 2042/3	B1	G175717	5.71	6.02	2.95	2.20	2.38	3.54	4.33	5.12	0.79	0.35	1.15	2.99	
Hansen 1	B3	G175719	5.31	6.12	2.63	1.13	1.31	3.15	4.33	6.50	0.62	0.35	0.10	0.87	
Lenze 5	B4	G175720	7.09	5.47	2.63	4.09	4.27	3.94	4.92	3.54	0.66	0.43	3.06	3.83	
Leroy Somer NXT N21	B3	G175719	5.31	6.12	2.63	1.13	1.31	3.15	4.33	6.50	0.62	0.35	0.10	0.87	
Motovario 042/3	B5	G175721	5.71	5.08	2.95	3.96	4.14	3.15	4.33	3.35	0.59	0.35	2.93	3.70	
Nord SK272	B1	G175717	5.71	5.98	2.95	2.20	2.38	3.54	4.33	5.12	0.71	0.35	1.15	2.99	
Stober C102/3	B7	G175723	7.09	5.47	2.64	4.86	5.04	4.02	5.91	2.76	0.74	0.35	3.83	4.60	
Sumitomo 4097	B8	G175724	7.09	5.47	2.36	4.36	4.54	3.94	5.90	3.54	0.66	0.43	3.33	4.10	



HELICAL-INLINE INTERCHANGE BASE SELECTIONS



Helical - Inline Gear Reducers

Size 747 • Interchange Base Selections • Mod-Squad Codes • Accessory Kits

Interchange With:	Mod-Squad Suffix Code (XX)	Accessory Kit No.	Critical Interchange Dimensions (Inches)										LQ - 56C/140TC		LQ1 180TC		
			A	B	BA	BC		D	E	F	G	H	2-Stage	3-Stage			
No Base	00	N/A															
SEW R47	B1	G175725	6.69	7.76	3.54	2.96	2.88	4.53	5.31	6.50	0.94	0.55	1.45	1.83	1.98		
SEW R60	B1	G175725	6.69	7.76	3.54	2.96	2.88	4.53	5.31	6.50	0.94	0.55	1.45	1.83	1.98		
Bonfiglioli C30	B2	G175726	7.48	6.14	3.07	4.83	4.75	4.33	6.30	5.10	0.79	0.43	3.32	3.66	3.85		
Brook Hansen SFN25B	B1	G175725	6.69	7.76	3.54	2.96	2.88	4.53	5.31	6.50	0.94	0.55	1.45	1.83	1.98		
Browning CbN22	B3	G175727	7.52	8.58	3.01	2.43	2.35	3.94	5.31	7.56	0.75	0.55	0.92	1.26	1.45		
David Brown M06	B1	G175725	6.69	7.76	3.54	2.96	2.88	4.53	5.31	6.50	0.94	0.55	1.45	1.83	1.98		
Dodge Quantis HB48	B1	G175725	6.69	7.76	3.54	2.96	2.88	4.53	5.31	6.50	0.94	0.55	1.45	1.83	1.98		
Falk 06UC	B1	G175725	6.69	7.76	3.54	2.96	2.88	4.53	5.31	6.50	0.94	0.55	1.45	1.83	1.98		
Flender/ Motox D40	B1	G175725	6.69	7.76	3.54	2.96	2.88	4.53	5.31	6.50	0.94	0.55	1.45	1.83	1.98		
Grove 2062	B1	G175725	6.69	7.76	3.54	2.96	2.88	4.53	5.31	6.50	0.94	0.55	1.45	1.83	1.98		
Hansen 2	B3	G175727	7.52	8.58	3.01	2.43	2.35	3.94	5.31	7.56	0.75	0.55	0.92	1.26	1.45		
Lenze 6	B4	G175728	7.87	6.59	3.25	5.58	5.50	4.92	6.30	4.17	0.92	0.53	4.07	4.41	4.60		
Leroy Somer NXT N22	B3	G175727	7.52	8.58	3.01	2.43	2.35	3.94	5.31	7.56	0.75	0.55	0.92	1.26	1.45		
Motovario 052	B5	G175729	7.48	5.51	3.54	5.52	5.44	4.33	5.31	3.94	0.71	0.43	4.01	4.35	4.54		
Nord SK22	B6	G175730	7.87	6.59	3.30	6.55	6.47	4.92	6.30	3.15	0.92	0.43	5.04	5.38	5.57		
Nord SK472	B1	G175725	6.69	7.76	3.54	2.96	2.88	4.53	5.31	6.50	0.94	0.55	1.45	1.83	1.98		
Stober C202	B7	G175731	7.87	6.59	3.11	6.54	6.46	4.53	6.69	3.35	0.53	0.43	5.03	5.37	5.56		

Size 757 • Interchange Base Selections • Mod-Squad Codes • Accessory Kits

Interchange With:	Mod-Squad Suffix Code (XX)	Accessory Kit No.	Critical Interchange Dimensions (Inches)										LQ - 56C/140TC		LQ1 180TC		
			A	B	BA	BC		D	E	F	G	H	2-Stage	3-Stage			
No Base	00	N/A															
SEW R57	B1**	G175732	6.69	7.76	3.94	3.63	3.56	4.53	5.31	6.50	0.94	0.55	2.16	2.51	2.69		
SEW R60	B1	G175732	6.69	7.76	3.54	3.63	3.56	4.53	5.31	6.50	0.94	0.55	2.16	2.51	2.69		
Bonfiglioli C30	B2	G175733	7.48	6.14	3.07	5.90	5.97	4.33	6.30	5.10	0.79	0.43	4.43	4.78	4.96		
Bonfiglioli C40	B9	G175740	8.50	7.30	3.54	4.64	4.71	5.12	7.09	5.89	0.71	0.55	3.17	3.52	3.70		
Brook Hansen SFN25B	B1	G175732	6.69	7.76	3.54	3.63	3.56	4.53	5.31	6.50	0.94	0.55	2.16	2.51	2.69		
Browning CbN22	B3	G175734	7.52	8.58	3.01	3.50	3.57	3.94	5.31	7.56	0.75	0.55	2.03	2.38	2.56		
David Brown M06	B1	G175732	6.69	7.76	3.54	3.63	3.56	4.53	5.31	6.50	0.94	0.55	2.16	2.51	2.69		
Dodge Quantis HB48	B1	G175732	6.69	7.76	3.54	3.63	3.56	4.53	5.31	6.50	0.94	0.55	2.16	2.51	2.69		
Falk 06UC	B1	G175732	6.69	7.76	3.54	3.63	3.56	4.53	5.31	6.50	0.94	0.55	2.16	2.51	2.69		
Flender/ Motox D40	B1	G175732	6.69	7.76	3.54	3.63	3.56	4.53	5.31	6.50	0.94	0.55	2.16	2.51	2.69		
Grove 2062	B1	G175732	6.69	7.76	3.54	3.63	3.56	4.53	5.31	6.50	0.94	0.55	2.16	2.51	2.69		
Hansen 2	B3	G175734	7.52	8.58	3.01	3.50	3.57	3.94	5.31	7.56	0.75	0.55	2.03	2.38	2.56		
Lenze 6	B4	G175735	7.87	6.59	3.25	6.65	6.72	4.92	6.30	4.17	0.92	0.53	5.18	5.53	5.71		
Leroy Somer NXT N22	B3	G175734	7.52	8.58	3.01	3.50	3.57	3.94	5.31	7.56	0.75	0.55	2.03	2.38	2.56		
Motovario 052	B5	G175736	7.48	5.51	3.54	6.59	6.66	4.33	5.31	3.94	0.71	0.43	5.12	5.47	5.65		
Nord SK22	B6	G175737	7.97	6.59	3.30	7.62	7.69	4.92	6.30	3.15	0.92	0.43	6.15	6.50	6.68		
Nord SK572	B1**	G175732	6.69	7.76	3.94	3.63	3.56	4.53	5.31	6.50	0.94	0.55	2.16	2.51	2.69		
Stober C202	B7	G175738	7.87	6.59	3.11	7.61	7.68	4.53	6.69	3.35	0.53	0.43	6.14	6.49	6.67		

** Requires optional 1.375" diameter shaft to obtain stated BA dimension. Contact Factory for availability.

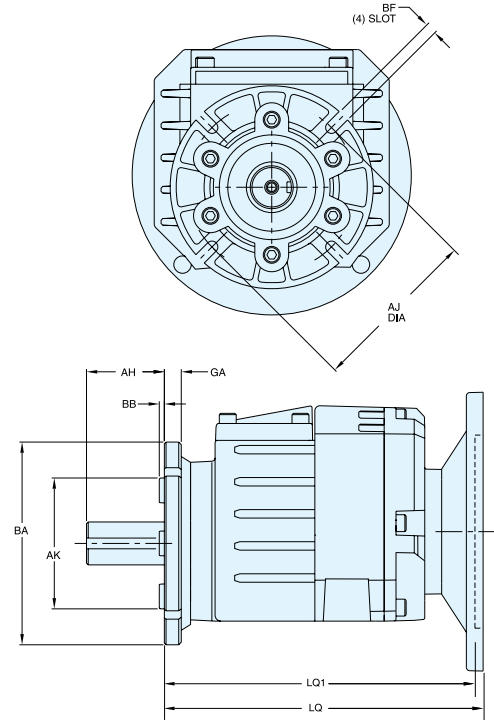


HELICAL-INLINE OUTPUT FLANGE SELECTIONS

Size 717 • Flange Mount • Mod-Squad Codes Accessory Kits

Output Flange Options:	Mod-Squad Suffix Code (XX)	Accessory Kit No.	Critical Interchange Dimensions (Inches)								
			AH	AJ	AK \diamond	BA	BB	BF	GA	LQ	
										2-Stage	3-Stage
No Flange	00	N/A									
Option 1	F1	G175701	1.41	3.94	3.15	4.72	0.12	0.28	0.39	7.42	8.19
Option 2	F2	G175702	1.41	4.53	3.74	5.51	0.12	0.35	0.39	7.42	8.19
Option 3	F3	G175703	1.41	5.12	4.33	6.30	0.14	0.35	0.39	7.42	8.19
Option 4	F4	G175704	1.41	6.54	5.12	7.87	0.14	0.43	0.43	7.42	8.19

Output Flange Mounting Dimensions



Size 727 • Flange Mount • Mod-Squad Codes Accessory Kits

Output Flange Options:	Mod-Squad Suffix Code (XX)	Accessory Kit No.	Critical Interchange Dimensions (Inches)								
			AH	AJ	AK \diamond	BA	BB	BF	GA	LQ	
										2-Stage	3-Stage
No Flange	00	N/A									
Option 1	F1	G175701	1.79	3.94	3.15	4.72	0.12	0.28	0.39	7.44	8.21
Option 2	F2	G175702	1.79	4.53	3.74	5.51	0.12	0.35	0.39	7.44	8.21
Option 3	F3	G175703	1.79	5.12	4.33	6.30	0.14	0.35	0.39	7.44	8.21
Option 4	F4	G175704	1.79	6.54	5.12	7.87	0.14	0.43	0.43	7.44	8.21

Size 747 • Flange Mount • Mod-Squad Codes Accessory Kits

Output Flange Options:	Mod-Squad Suffix Code (XX)	Accessory Kit No.	Critical Interchange Dimensions (Inches)									
			AH	AJ	AK \diamond	BA	BB	BF	GA	LQ		LQ1
										2-Stage	3-Stage	
No Flange	00	N/A										
Option 1	F1	G175705	2.24	5.12	4.33	6.30	0.14	0.43	0.61	9.25	9.59	9.78
Option 2	F2	G175706	2.30	6.46	5.12	7.87	0.14	0.43	0.51	9.19	9.53	9.72
Option 3	F3	G175707	2.30	8.47	7.09	9.84	0.16	0.55	0.61	9.19	9.53	9.72

Size 757 • Flange Mount • Mod-Squad Codes Accessory Kits

Output Flange Options:	Mod-Squad Suffix Code (XX)	Accessory Kit No.	Critical Interchange Dimensions (Inches)									
			AH	AJ	AK \diamond	BA	BB	BF	GA	LQ		LQ1
										2-Stage	3-Stage	
No Flange	00	N/A										
Option 1	F1	G175705	2.60	5.12	4.33	6.30	0.14	0.43	0.61	10.00	10.35	10.53
Option 2	F2	G175706	2.66	6.46	5.12	7.87	0.14	0.43	0.51	9.94	10.29	10.47
Option 3	F3	G175707	2.66	8.47	7.09	9.84	0.16	0.55	0.61	9.94	10.29	10.47

\diamond Tolerance of AK on flanges with BA dimension under 6.30" is -0.0014 to -0.0028". Flanges with a BA of 6.30" or larger have a AK tolerance of -0.0017 to -0.0033".