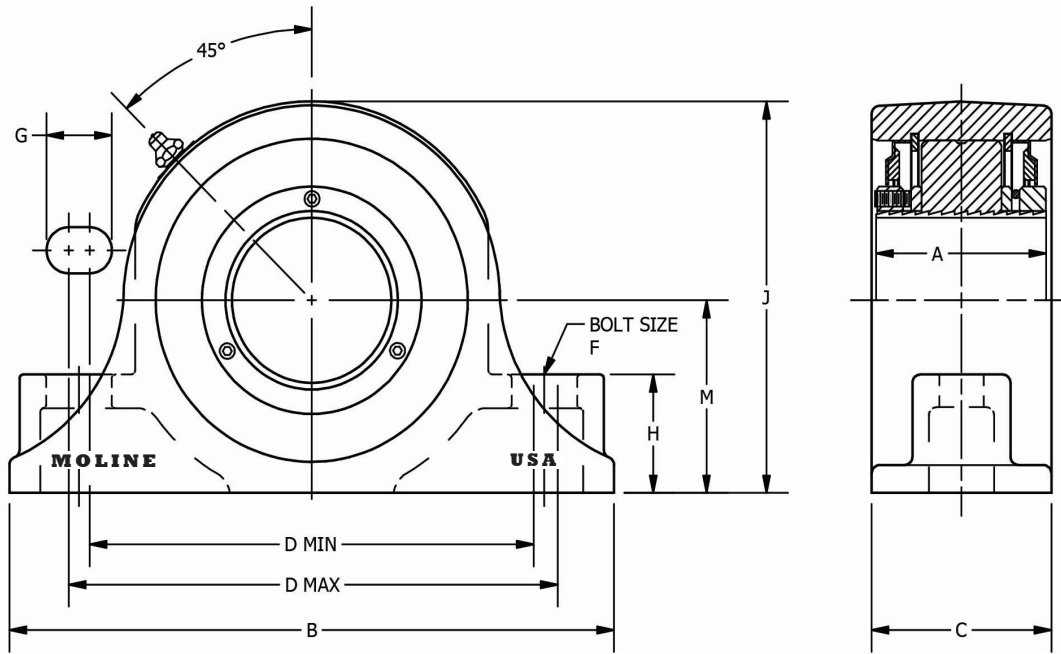


M3000 EVEN-LOK™ 2-BOLT PILLOW BLOCK

SHAFT SIZE	MOLINE PART #		DIMENSIONS (INCHES)											WEIGHT LBS.
	EXP	NON-EXP	A	B	C	MIN D	CENTER TO CENTER D	MAX D	F	G	H	J	M	
1 ⁷ / ₁₆ 1 ¹ / ₂	19621107 19621108	19721107 19721108	2 ¹¹ / ₃₂	6 ⁷ / ₈	2 ³ / ₁₆	4 ¹¹ / ₁₆	5	5 ⁵ / ₁₆	1/2	1 ⁵ / ₁₆	1 ³ / ₁₆	3 ⁷ / ₈	1 ⁷ / ₈	6.9
1 ¹¹ / ₁₆ 1 ³ / ₄	19621111 19621112	19721111 19721112	2 ¹¹ / ₃₂	7 ³ / ₈	2 ³ / ₁₆	5 ³ / ₁₆	5 ¹ / ₂	5 ¹³ / ₁₆	1/2	1 ⁵ / ₁₆	1 ⁵ / ₁₆	4 ¹ / ₄	2 ¹ / ₈	8.1
1 ¹⁵ / ₁₆ 2	19621115 19621200	19721115 19721200	2 ¹¹ / ₃₂	8 ³ / ₈	2 ³ / ₁₆	5 ¹⁵ / ₁₆	6 ¹ / ₄	6 ⁹ / ₁₆	5/8	1	1 ³ / ₈	4 ⁹ / ₁₆	2 ¹ / ₄	9.1
2 ³ / ₁₆	19621203	19721203	2 ¹¹ / ₃₂	8 ⁷ / ₈	2 ¹ / ₂	6 ⁷ / ₁₆	6 ³ / ₄	7 ¹ / ₁₆	5/8	1	1 ⁵ / ₈	5	2 ¹ / ₂	11.8
2 ⁷ / ₁₆ 2 ¹ / ₂	19621207 19621208	19721207 19721208	2 ³⁷ / ₆₄	9 ¹ / ₄	2 ³ / ₄	6 ¹³ / ₁₆	7 ¹ / ₈	7 ⁷ / ₁₆	5/8	1	1 ³ / ₄	5 ¹¹ / ₁₆	2 ³ / ₄	16.2
2 ¹¹ / ₁₆ 2 ³ / ₄ 2 ¹⁵ / ₁₆ 3	19621211 19621212 19621215 19621300	19721211 19721212 19721215 19721300	2 ³⁷ / ₆₄	10 ¹ / ₂	2 ¹³ / ₁₆	7 ¹³ / ₁₆	8 ¹ / ₈	8 ⁷ / ₁₆	3/4	1 ¹ / ₈	2 ¹ / ₄	6 ⁷ / ₁₆	3 ¹ / ₄	22.1
3 ⁷ / ₁₆ 3 ¹ / ₂	19621307 19621308	19721307 19721308	3 ⁹ / ₆₄	13	3 ¹ / ₄	9 ¹ / ₂	10	10 ¹ / ₂	7/8	1 ⁷ / ₁₆	2 ¹ / ₄	7 ¹ / ₂	3 ³ / ₄	31.6
3 ¹⁵ / ₁₆ 4	19621315 19621400	19721315 19721400	3 ⁹ / ₆₄	14 ¹ / ₂	3 ⁹ / ₁₆	10	10 ⁷ / ₈	11 ³ / ₄	1	1 ¹⁵ / ₁₆	2 ¹ / ₂	8 ³ / ₈	4 ¹ / ₈	45

M3000 EVEN-LOK™
SPHERICALS

M3000 EVEN-LOK™ 2-BOLT PILLOW BLOCK



M3000 EVEN-LOK™
SPHERICALS

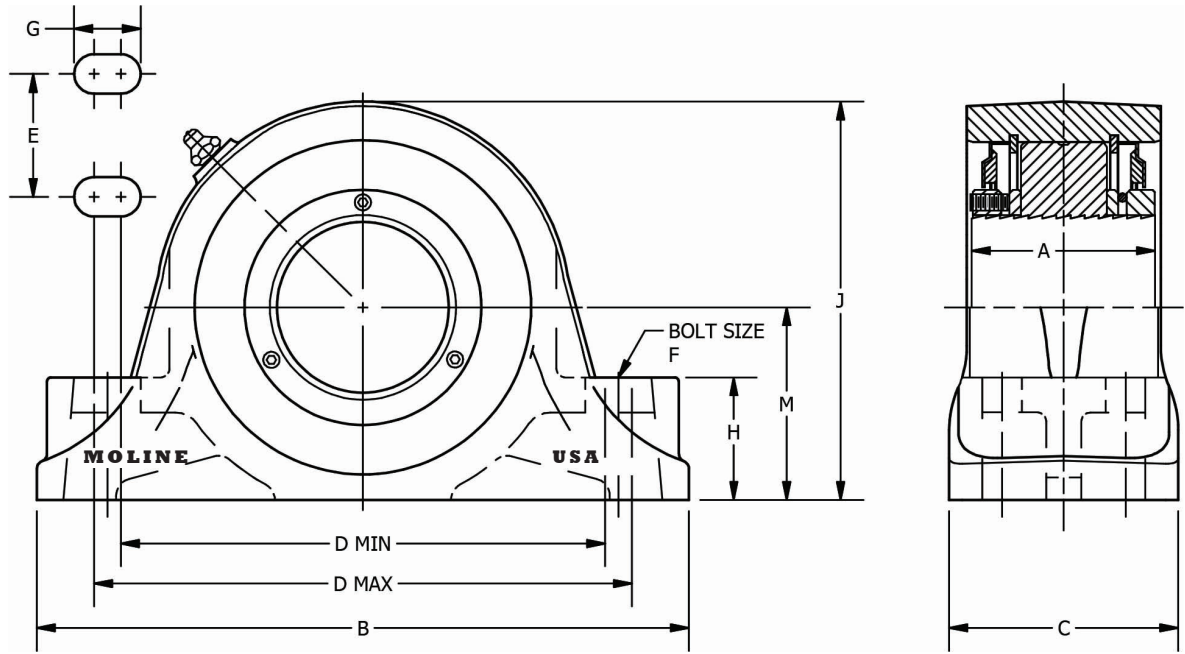


M3000 EVEN-LOK™ 4-BOLT PILLOW BLOCK

SHAFT SIZE	MOLINE PART #		DIMENSIONS (INCHES)											WT. LBS.	
	EXP	NON-EXP	A	B	C	MIN D	CENTER TO CENTER D	MAX D	E	F	G	H	J		M
2 7/16 2 1/2	19641207 19641208	19741207 19741208	2 37/64	9 1/4	3 1/4	6 7/8	7 1/4	7 5/8	1 3/4	1/2	15/16	1 3/4	5 11/16	2 3/4	17
2 11/16 2 3/4 2 15/16 3	19641211 19641212 19641215 19641300	19741211 19741212 19741215 19741300	2 37/64	10 1/2	3 3/4	7 7/8	8 1/8	8 3/8	1 7/8	5/8	15/16	2 1/4	6 7/16	3 1/4	26
3 7/16 3 1/2	19641307 19641308	19741307 19741308	3 9/64	13	3 7/8	9 1/4	10	10 3/4	2	3/4	1 9/16	2 1/4	7 1/2	3 3/4	38
3 15/16 4	19641315 19641400	19741315 19741400	3 9/64	15 1/4	4 1/2	11	12	13	2 1/4	3/4	1 13/16	2 5/8	8 1/2	4 1/4	50

M3000 EVEN-LOK™
SPHERICALS

M3000 EVEN-LOK™ 4-BOLT PILLOW BLOCK



M3000 EVEN-LOK™
SPHERICALS



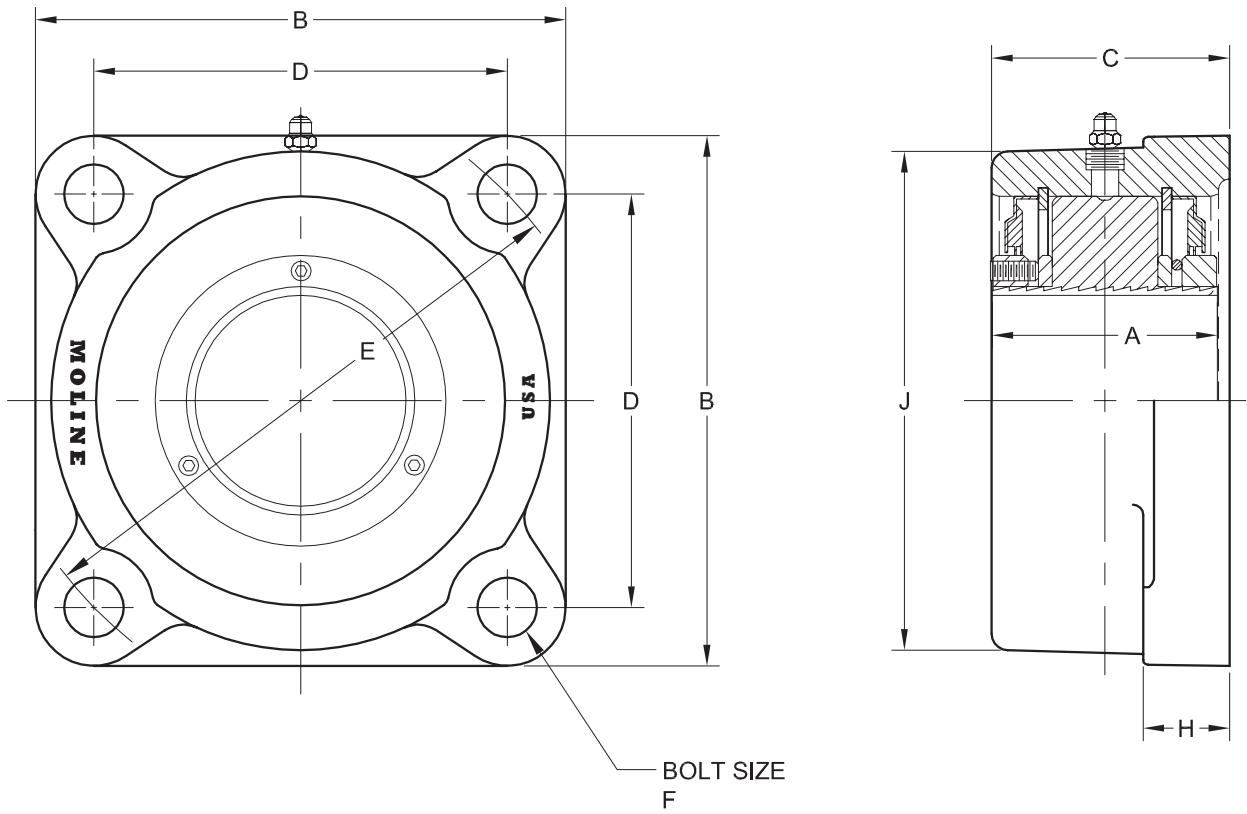
M3000 EVEN-LOK™ 4-BOLT FLANGE

SHAFT SIZE	MOLINE PART #		DIMENSIONS (INCHES)								WEIGHT LBS.
	EXP	NON-EXP	A	B	C	D	E	F	H	J	
1 7/16 1 1/2	19611107 19611108	19711107 19711108	2 11/32	4 5/8	2 1/4	3 17/32	5	1/2	3/4	3 7/8	7
1 11/16 1 3/4	19611111 19611112	19711111 19711112	2 11/32	5	2 1/4	3 57/64	5 1/2	1/2	3/4	4 1/4	10
1 15/16 2	19611115 19611200	19711115 19711200	2 11/32	5 1/4	2 1/4	4 1/16	5 3/4	1/2	3/4	4 1/2	10.5
2 3/16	19611203	19711203	2 11/32	5 7/8	2 7/16	4 1/2	6 3/8	5/8	3/4	5	12.5
2 7/16 2 1/2	19611207 19611208	19711207 19711208	2 37/64	6 1/8	2 3/4	4 25/32	6 3/4	5/8	1	5 3/4	16.5
2 11/16 2 3/4 2 15/16 3	19611211 19611212 19611215 19611300	19711211 19711212 19711215 19711300	2 37/64	7 1/4	2 7/8	5 9/16	7 7/8	3/4	1	6 5/8	25
3 7/16 3 1/2	19611307 19611308	19711307 19711308	3 9/64	8 3/8	3 1/4	6 23/32	9 1/2	3/4	1 1/8	7 5/8	35
3 15/16 4	19611315 19611400	19711315 19711400	3 9/64	9 1/2	3 9/16	7 19/32	10 3/4	7/8	1 3/16	8 3/8	48

Please Note: Before mounting, make sure there is sufficient clearance to access dismounting set screws on the back of the housing unit (yellow plastic protection plugs)

M3000 EVEN-LOK™
SPHERICALS

M3000 EVEN-LOK™ 4-BOLT FLANGE



M3000 EVEN-LOK™
SPHERICALS

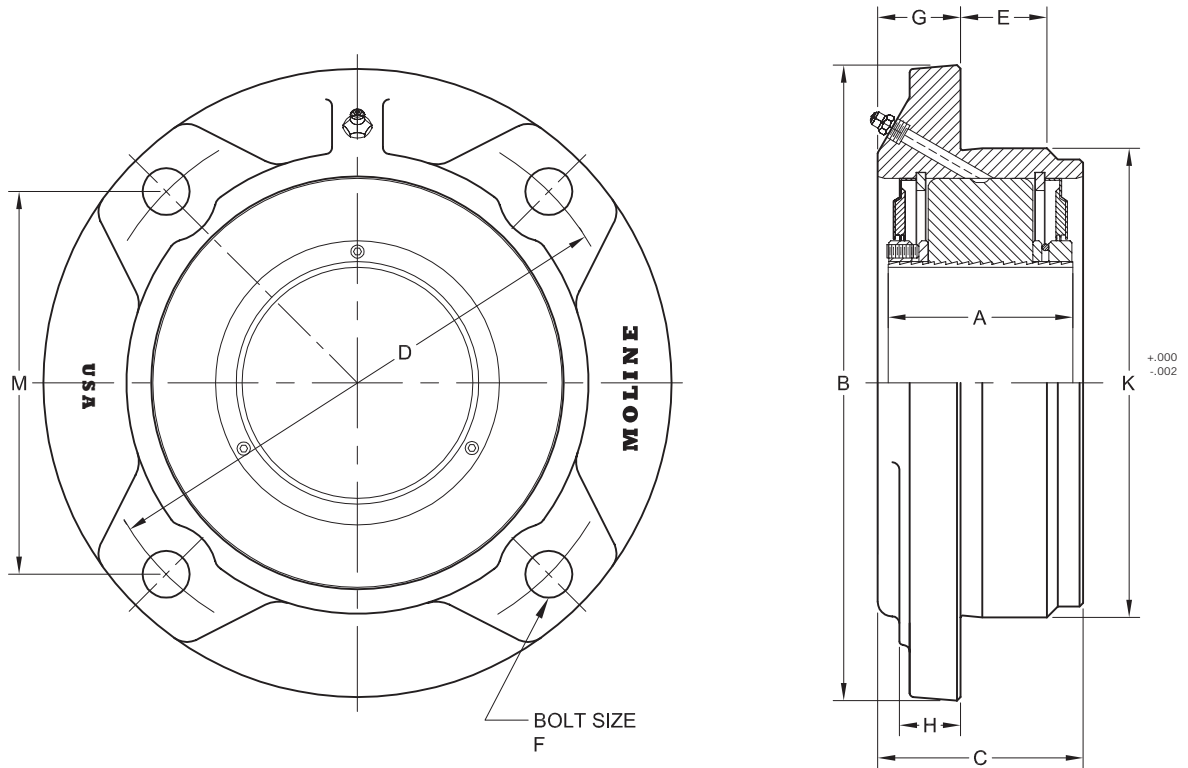


M3000 EVEN-LOK™ PILOTED FLANGE CARTRIDGE

SHAFT SIZE	MOLINE PART #		DIMENSIONS (INCHES)										WEIGHT LBS.
	EXP	NON-EXP	A	B	C	D	E	F	G	H	K	M	
1 7/16 1 1/2	19631107 19631108	19731107 19731108	2 11/32	5 1/4	2 1/16	4 3/8	1 9/32	3/8	13/16	1/2	3 5/8	3 3/32	7
1 11/16 1 3/4	19631111 19631112	19731111 19731112	2 11/32	6 1/8	2 3/16	5 1/8	7/8	7/16	3/4	1/2	4 1/4	3 5/8	8.5
1 15/16 2	19631115 19631200	19731115 19731200	2 11/32	6 3/8	2 3/16	5 3/8	7/8	7/16	11/16	1/2	4 1/2	3 51/64	10.5
2 3/16	19631203	19731203	2 11/32	7 1/8	2 7/16	6	1	1/2	15/16	1/2	5	4 1/4	14.5
2 7/16 2 1/2	19631207 19631208	19731207 19731208	2 37/64	7 5/8	2 11/16	6 1/2	1	1/2	1 1/16	5/8	5 1/2	4 19/32	16
2 11/16 2 3/4 2 15/16 3	19631211 19631212 19631215 19631300	19731211 19731212 19731215 19731300	2 37/64	8 3/4	2 13/16	7 1/2	1 1/4	5/8	1	3/4	6 3/8	5 19/64	22
3 7/16 3 1/2	19631307 19631308	19731307 19731308	3 9/64	10 1/4	3 1/4	8 5/8	1 1/4	3/4	1 1/2	15/16	7 3/8	6 3/32	33
3 15/16 4	19631315 19631400	19731315 19731400	3 9/64	10 7/8	3 9/16	9 3/8	1 1/2	3/4	1 7/16	1 1/16	8 1/8	6 5/8	45

M3000 EVEN-LOK™
SPHERICALS

M3000 EVEN-LOK™ PILOTED FLANGE CARTRIDGE



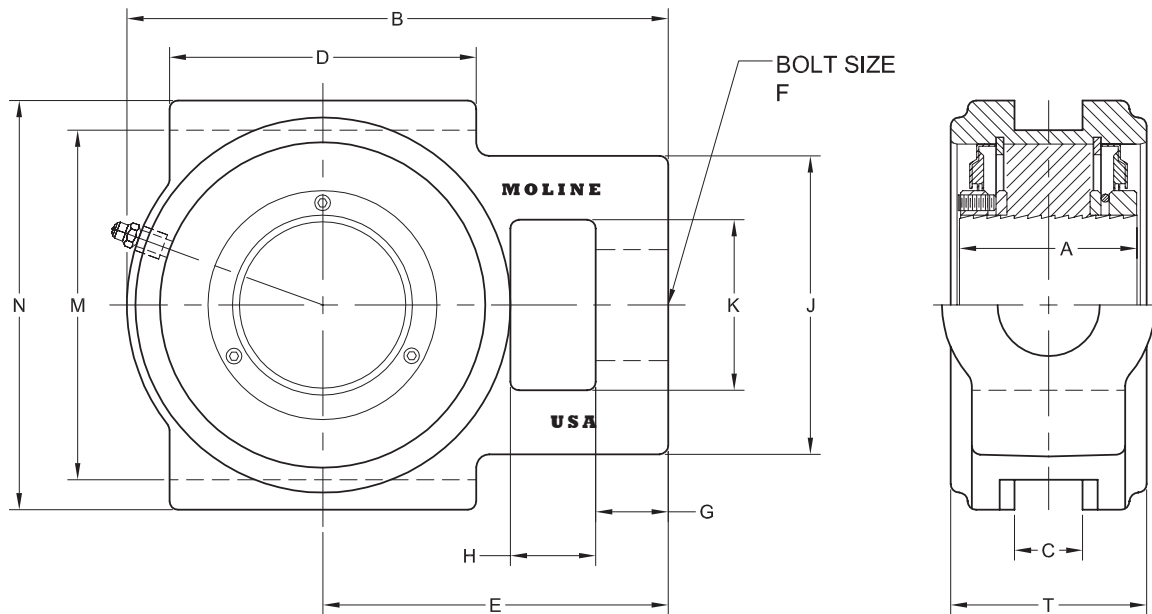
M3000 EVEN-LOK™
SPHERICALS



M3000 EVEN-LOK™ WIDE SLOT TAKE-UP

SHAFT SIZE	MOLINE PART #		DIMENSIONS (INCHES)				
	EXP	NON-EXP	A	B	C	D	E
1 ¹⁵ / ₁₆ 2	19651115 19651200	19751115 19751200	2 ¹¹ / ₃₂	6 ⁵ / ₁₆	1 ¹ / ₁₆	3 ³ / ₄	3 ¹⁵ / ₁₆
2 ³ / ₁₆	19651203	19751203	2 ¹¹ / ₃₂	7 ¹ / ₈	1 ³ / ₁₆	3 ³ / ₄	4 ⁵ / ₈
2 ⁷ / ₁₆ 2 ¹ / ₂	19651207 19651208	19751207 19751208	2 ³⁷ / ₆₄	7 ¹³ / ₁₆	1 ¹ / ₃₂	4 ¹ / ₂	5 ¹ / ₁₆
2 ¹¹ / ₁₆ 2 ³ / ₄ 2 ¹⁵ / ₁₆ 3	19651211 19651212 19651215 19651300	19751211 19751212 19751215 19751300	2 ³⁷ / ₆₄	9 ¹ / ₈	1 ²⁵ / ₃₂	4 ³ / ₄	5 ⁷ / ₈
3 ⁷ / ₁₆ 3 ¹ / ₂	19651307 19651308	19751307 19751308	3 ⁹ / ₆₄	10 ¹ / ₄	1 ²⁵ / ₃₂	6	6 ³ / ₈

M3000 EVEN-LOK™
SPHERICALS



M3000 EVEN-LOK™ WIDE SLOT TAKE-UP

SHAFT SIZE	DIMENSIONS (INCHES)								WEIGHT LBS.
	F	G	H	J	K	M	N	T	
1 15/16 2	1	15/16	3/4	3 5/16	1 15/16	4	4 3/4	2 7/16	12
2 3/16	1 1/8	1	1	3 7/8	2 1/4	4 1/2	5 1/4	2 9/16	16
2 7/16 2 1/2	1 1/2	1 1/16	1 1/4	4 1/4	2 1/2	5 1/8	6	2 3/4	21
2 11/16 2 3/4 2 15/16 3	1 1/2	1 3/8	1 1/4	4 7/8	2 3/4	5 15/16	6 3/4	3	30
3 7/16 3 1/2	1 3/4	1 1/16	1 5/8	4 7/8	2 7/8	6 13/16	7 13/16	3 13/16	45

M3000 EVEN-LOK™
SPHERICALS

